

Service Manual

ViewSonic N3250wb-1G

Model No. VS11752-1G

32" LCD TV

(N3250wb-1G_SM Rev. 1a May. 2007)

ViewSonic® 381 Brea Canyon Road, Walnut, California 91789 USA - (800) 888-8583

Copyright

Copyright © 2007 by ViewSonic Corporation. All rights reserved. No part of this publication may be reproduced, transmitted, transcribed, stored in a retrieval system, or translated into any language or computer language, in any form or by any means, electronic, mechanical, magnetic, optical, chemical, manual or otherwise, without the prior written permission of ViewSonic Corporation.

Disclaimer

ViewSonic makes no representations or warranties, either expressed or implied, with respect to the contents hereof and specifically disclaims any warranty of merchantability or fitness for any particular purpose. Further, ViewSonic reserves the right to revise this publication and to make changes from time to time in the contents hereof without obligation of ViewSonic to notify any person of such revision or changes.

Trademarks

Optiquest is a registered trademark of ViewSonic Corporation.

ViewSonic is a registered trademark of ViewSonic Corporation.

All other trademarks used within this document are the property of their respective owners.

Product disposal at end of product life

The lamp in this product contains mercury. Please dispose of in accordance with local, state or federal laws.

Revision History

Revision	SM Editing Date	ECR Number	Description of Changes	Editor
1a	05/15/07		Initial Release	Sophia Kao

TABLE OF CONTENTS

1. Precautions and Safety Notices.....	1
2. Specification.....	4
3. Front Panel Function Control Description.....	9
4. Circuit Description.....	17
5. Adjustment Procedure	18
6. Trouble Shooting Flow Chart.....	42
7. Block Diagram	45
8. Schematic Diagrams.....	46
9. PCB Layout Diagrams	58
10. Exploded Diagram And Exploded Parts List.....	66
11. Recommend Spare Parts List.....	69

1. Precautions and Safety Notices

1. Appropriate Operation

- (1) Turn off the product before cleaning.
- (2) Use only a dry soft cloth when cleaning the LCD panel surface.
- (3) Use a soft cloth soaked with mild detergent to clean the display housing.
- (4) Disconnect the power plug from AC outlet if the product is not used for a long period of time.
- (5) If smoke, abnormal noise, or strange odor is present, immediately switch the LCD display off.
- (6) Do not touch the LCD panel surface with sharp or hard objects.
- (7) Do not place heavy objects on the LCD display, video cable, or power cord.
- (8) Do not use abrasive cleaners, waxes or solvents for your cleaning.
- (9) Do not operate the product under the following conditions:
 - Extremely hot, cold or humid environment.
 - Areas susceptible to excessive dust and dirt.
 - Near any appliance generating a strong magnetic field.
 - Place in direct sunlight.

2. Caution

No modification of any circuit should be attempted. Service work should only be performed after you are thoroughly familiar with all of the following safety checks and servicing guidelines.

3. Safety Check

Care should be taken while servicing this LCD display. Because of the high voltage used in the inverter circuit, the voltage is exposed in such areas as the associated transformer circuits.

4. Power Supply Requirements







The external AC power operating range shall be from 90 to 264Vac



5. LCD Module Handling Precautions

5.1. Handling Precautions

- (1) Since front polarizer is easily damaged, pay attention not to scratch it.
- (2) Be sure to turn off power supply when inserting or disconnecting from input connector.
- (3) Wipe off water drop immediately. Long contact with water may cause discoloration or spots.
- (4) When the panel surface is soiled, wipe it with absorbent cotton or other soft cloth.
- (5) Since the panel is made of glass, it may break or crack if dropped or bumped on hard surface.
- (6) Since CMOS LSI is used in this module, take care of static electricity and insure human earth when handling.
- (7) Do not open nor modify the Module Assembly.
- (8) Do not press the reflector sheet at the back of the module to any directions.
- (9) In case if a Module has to be put back into the packing container slot after once it was taken out from the container, do not press the center of the CCFL Reflector edge. Instead, press at the far ends of the CFL Reflector edge softly. Otherwise the TFT Module may be damaged.
- (10) At the insertion or removal of the Signal Interface Connector, be sure not to rotate nor tilt the Interface Connector of the TFT Module.
- (11) After installation of the TFT Module into an enclosure (LCD monitor housing, for example), do not twist nor bend the TFT Module even momentary. At designing the enclosure, it should be taken into consideration that no bending/twisting forces are applied to the TFT Module from outside. Otherwise the TFT Module may be damaged.
- (12) Cold cathode fluorescent lamp in LCD contains a small amount of mercury. Please follow local ordinances or regulations for disposal.
- (13) Small amount of materials having no flammability grade is used in the LCD module. The LCD module should be supplied by power complied with requirements of Limited Power Source (IEC60950 or UL1950), or be applied exemption.
- (14) The LCD module is designed so that the CFL in it is supplied by Limited Current Circuit (IEC60950 or UL1950). Do not connect the CFL in Hazardous Voltage Circuit.

5.2. Handling and Placing Methods

Correct Methods:	Incorrect Methods:
<p>Only touch the metal frame of the LCD panel or the front cover of the monitor. Do not touch the surface of the polarizer.</p>	<p>Surface of the LCD panel is pressed by fingers and that may cause "Mura"</p>
	
	
<p>Take out the monitor with cushions</p>	<p>Taking out the monitor by grasping the LCD panel. That may cause "Mura"</p>
	

Place the monitor on a clean and soft foam pad.	Placing the monitor on foreign objects. That could scratch the surface of the panel or cause "Mura"
	

2. Specification

Parameter	Specification
LCD Type	a-Si TFT Active Matrix Wide Color, Transmissive Mode, Normally Black
LCD Interface	1-Channel LVDS
Resolution (Native)	WXGA, 1366 x 768
Display Area	32" diagonal; 697.68 (H) x 392.25 (V)
Pixel Pitch	0.51075(H) × 0.51075(V) mm
Viewing Angle	H = +/- 85°, V = +/- 85° with CR≥10 (Point-5)
Contrast Ratio	1200:1 (Typ); 800:1 (Min)
Brightness	500 nits (Typ.); 400 nits (Min)
Response Time	8ms, (Typical), g-g
Color Gamut	NTSC 75% Typ
Brightness Uniformity	75%
Chromaticity (CIE1931)	9300K (Standard Mode Only)
Colors	16.7M
Surface Treatment	Hard coating 3H
Backlight	14 CCFLs (Cold cathode Fluorescent Lamp)
Panel Acceptance	Refer to the panel acceptance criteria specification. Note: Intermittent and/or Display Pattern defects which result in further bright or dark dots will be counted individually against the above specification.
Front Screen Artifacts	VS Standard: a.) No Visible Streaking, Sag or Smearing artifacts when driven by the specified video cards in the primary mode (VGA at 60 Hz) and after user adjustment b.) No image drift or lose fine-tune settings due to panel temperature change

Note: Panel performance characteristics “MUST BE” met in all display modes/inputs at standard test conditions.

1. RF Tuner

RF tuner of this product shall be provided by” LG TAPQ-S701D” and “LG TAPE-S701D” for PAL/SECAM. The following table defines this tuner specification.

Parameter	Specification
RF Input Level	0 ~ 15dBmV
RF Tuning Range	PAL B/G: 48.25 to 855.25 MHz, for Off-Air and CATV PAL D/K: 49.75 to 855.25 MHz for Off-Air and CATV PAL I: 471.25 to 855.25 MHz for Off-Air and CATV SECAM D/K 55.75 to 791.25 MHz for Off-Air and CATV PAL/SECAM: 48.25 MHz to 855.25 MHz
RF Tuner Sensitivity (S/N Ratio at un-weight)	-45 dB (min.)
Channel Bandwidth	PAL: 7/8 MHz Maximum SECAM: 8 MHz Maximum
CVBS Characteristics: Video Amplitude Signal DC Level Sync Pulse	0.7(min.)–1.1(max.) V Typical. 0.35 V
Audio Characteristics: AF Output Level Measured via LP 20 kHz Filter, RMS Decoder, 50us De-emphasis THD S/N	Typical. 0.35Vrms 0.5% (max.) 44 dB (min.)
Compatible system TUNER	SECAM/PAL

2. Video

Built-in A/D converter shall provide analog to digital converter for this product.

Input Parameter	Specification
CVBS Characteristics: Video Amplitude Signal DC Level Sync Pulse	0.7(min.)–1.1(max.) V Typical. 0.35 Vp-p
S-Video Characteristics: Video Amplitude Signal DC Level Sync Pulse	Y :0.7- 1.0Vp-p W / Neg. Sync (IN 75 Ω) C : 0.286Vp-p (IN 75 Ω)
Y, Cb,Cr Characteristics: Video Amplitude Signal DC Level Sync Pulse	Y:1.0Vp-p(IN 75 Ω) Pb:0.7 –1.0Vp-p(IN 75 Ω),Pr:0.7-1.0 Vp-p(IN 75 Ω)
Video Bandwidth	PAL: 7/8 MHz Maximum SECAM: 8 MHz Maximum
HDMI Characteristics	digital (DVI-D) applicable
RGB Characteristics: Signal Type Sync Type Input Signal Rating Sync Level: Frequency Range Pixel Color	Analog VGA TTL, Separate Sync, with 4.7KΩ pull-down resistors 1250mv Max without damage to the product, 0-700 mv Full Range 2.5-5.25 V Horizontal: 30-80K Hz, Vertical: 50-75 Hz 16 M

3. Audio

Audio amp of this product shall be provided by “YAMAHA” with a Model Number of YDA138. In addition, a pair of speakers shall be integrated within this product. The audio signals of this product shall comply with the specification listed in the following table.

Parameter	Specification	
	Phone Jack out	
	Tuner Input	Base band Input
Speaker Power Output Max Rating	10W at 10 % T.H.D Distortion	10W at 10 % T.H.D Distortion
Speaker Impedance	6 Ω	6 Ω
Line In	Per Tuner Spec	500 mV rms (Typ) 1.6 V rms (Max) Impedance: 600 ohms
Line Out	500 mVrms +/- 10% @1K Hz tone (with +/-25k Hz deviation at input, volume with non-attenuation and loading with 47k Ohm)	500 mVrms +/- 10% @1K Hz tone (with +/-25k Hz deviation at input, volume with non-attenuation and loading with 47k Ohm)
Flatness of Amplitude Response (100Hz ~ 10KHz)	+/- 3 db (at 1KHz @1W)	+/- 3 db (at 1KHz @1W)
Total Harmonic Distortion (1KHz @1W)	2%	1%
Signal to Noise (1KHz @1W)	30 dB (40Hz to 15KHz)	35dB(400Hz to 20 kHz)

4. Electrical

The following table defines the electrical specification of this product.

ELECTRICAL SPECIFICATION

Power Input Voltage Range	100-240VAC +/- 10% Wide Range
Input Frequency Range	47-63 Hz
Input Current	2.5A @ 115VAC // 1.5A @ 230VAC
Power Supply Inrush	Max in < 150A (with fully loaded power supply) at 230Vac Shall not result in permanent failure of power supply (including blown fuse)
Power Consumption: Normal	Normal: 170 W/ 200W (Max) // Sleep: < 3W
Interference with RF and Video	There shall be no visible interference between power supply, RF and video signals. This applies to all available RF channels and video modes.
Electromagnetic Compatibility	This product shall adhere to the compatibility and immunity specifications in CB/CE
Power Supply Transient Immunity (Supply Transients and Outage)	Able to withstand an IEC6100-4-4(1995) ring wave with no damage.
Surge Immunity Test	Able to withstand 1.5X nominal Line Voltage for one cycle with no damage.
Power Supply Missing Cycle Immunity	Function properly without reset or visible screen artifact when ½ cycle of AC Power is randomly missing.
Power Supply Acoustics	Power supply shall not produce any audible noise during startup and normal operation. Audible shall define to be in compliance with ISO 7779 (DIN EN27779: 1991). Power Switch noise shall be Excluded.
Efficiency	>= 70% @ full load, nominal line
Leakage Current	<0.5mA @ 250VAC
Power Saving(DPMS)	When system is "OFF", some minimal (<3W) power shall be consumed.
Recovery Time	< 3 sec.
Power Factor Correction	Compliant with EN60065

5. Firmware & OSD

The product firmware of N3250WB(G) shall have a firmware version of VP01. Any changes/revisions afterward shall also be pre-approved by ViewSonic in written. For N3250WB(G), its firmware shall have a built-in frequency table for PAL off-air TV/CATV.

All audio/video and other output adjustments shall be performed by using an On Screen Display (OSD) via a Remote Control Unit (RCU) in conjunction with the front panel adjustments. The following tables list the OSD functions supported by N3250WB(G).

OSD Table for N3250WB(G)

Items	Description
TV / VIDEO MODE	
Contrast	Adjust the White levels from 0 to 100
Brightness	Adjust the Black levels from 0 to 100
Colour	Adjust the color from light to heavy
Tint	Adjust from Red to Green
Sharpness	Adjust the Sharpness levels from 0 to 100
Fresh Tone	Adjust the skin from shallow to deep
Color Temp.	Select the color temperature between warm, Normal or cool.
Reset	Reset Picture Function setting
Bass	Adjust the Low Frequency from light to heavy
Treble	Adjust the Hi Frequency from light to heavy
Balance	Adjust the Speaker output from left to right
Equalizer	To adjust the Equalizer Function setting
Reset	Reset Sound Function setting.
Auto scan	To auto scan the TV channels (TV or CATV) and scan TV system.
Manual store	To adjust the channel search and fine tune or system select.
Main source	To select input source
H-position	To adjust H position
V-position	To adjust V position
OSD Language	To adjust the OSD Language select
Reset	Reset Option Function setting.
PC MODE	
Auto adjust	Automatically adjust the clock, phase, position, and color.
Contrast	Adjust the White levels from 0 to 100
Brightness	Adjust the Black levels from 0 to 100
H.Position	Adjust the horizontal positions
V.Position	Adjust the vertical positions
Clock	To adjust the clock delay time.
Phase	To adjust the phase delay time.
Color mode	To select the preset color temperature or user color setting.
OSD adjust	
H-position	To adjust the OSD H position
V-position	To adjust the OSD V position
Duration	To adjust the OSD display delay time
Reset	Reset OSD Function setting.

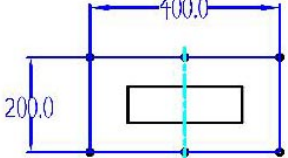
6. Remote Control Unit (RCU)

An IR remote control unit shall accompany this product along with battery. In addition, this remote control unit shall have an operational distance of 5 meters and an operational angle of 15 degrees for both horizontal and vertical.

Parameter	Specification
Type	IR; Made by Bontech Electronics Co., Ltd.
Range	Off axis $\pm 15^\circ \geq 5M$ On axis: $\geq 7M$
Life Testing (Buttons)	100,000 cycle operations at a rate of 20~30 cycle / minute without load (with battery)
Color	Painting Color - PANTONE 427C (Black for front bezel & back cover) Power Key - PANTONE 032C (RED) Key Pads – PANTONE 11C & PANTONE 5C(Cool Gray) Texts Printed on Front Cover and Key Pads - PANTONE 427C, PANTONE 433C(Black)
Key Functions	AV Control: Volume-Up/Down,CH/PG-Up/Down,Channel Up/Down,Mute,PIP/POP,Wide,Sleep/Info,P.Source,Swap,Power,Source. Numeric: 0~9 numeric keys,Recall. Navigation: Up,Down,Left,Right,Enter,Menu. Smart sound and Smart video hot key

7. Mechanical

The following table defines the mechanical specifications of this product for both chassis and cabinet.

Parameter	Specification
Dimension	W=800mm, H=631.6mm and D=210mm
W/O stand	W=800mm, H=573.5mm and D=117.6 mm
Net Weight	16.91 kg
Chassis Plastic Material	ABS (ABS HB / ABS VO / PC+ABS/HIPS+MICA)
External Plastic Chassis Components	Plastic Chassis, Cover, Stand (Metal + Plastic), Len and Button
Internal Plastic Cabinet Components	N/A
Exterior Chassis Color	Refer to N3250WB-G Product ID
Chassis Component's Color Difference	Refer to N3250WB-G Color Guide
Chassis Color Drift Due to UV-Light	The color drift due to UL-Light shall be less than 10 "Delta E" in the 1976 CIE L*a*b color space. Testing shall be performed according to the requirements of ASTM Test Method D4459-93.
Chassis Texture	Front Bezel:N/A ; Back Cover:MT-11020
Molded Plastic	Workmanship shall be inspected according to ViewSonic Molded Plastic Parts Specification, VSCMPPSPEC001V1.2.
Screen Printed Parts, Bird Logo Recess	Artwork shall be provided and confirmed by ViewSonic.
Rear Label	A label identifying the product name, model/serial number and FCC ID/Logo shall be placed into the rear label recess located on the rear panel of the chassis.
Wall- Mount	400mmx200mm VESA high hole (n=6), M6 x 10mm, pitch =1.0mm screw mounting kit not included. 
Sample	Sample of textured color chips, plastic material specification, and Material Safety Data Sheets shall be submitted to ViewSonic prior to Mass Production Release.

In addition, all exterior surfaces shall have uniform texture/color. The maximum acceptable gap between the buckets to bezel plastic pieces shall be within 1.5 mm. The maximum acceptable gap between LCD panel and bezel shall be within 2.5 mm.

8. Environmental

Operating Temperature	0°C to +40°C
Storage Temperature	-20°C to +60°C
Operating Relative Humidity	65% non-condensing
Storage Relative Humidity	85% non-condensing
Operating Altitude	0 to +3,000 meters above sea level
Storage Altitude	0 to +12,000 meters above sea level

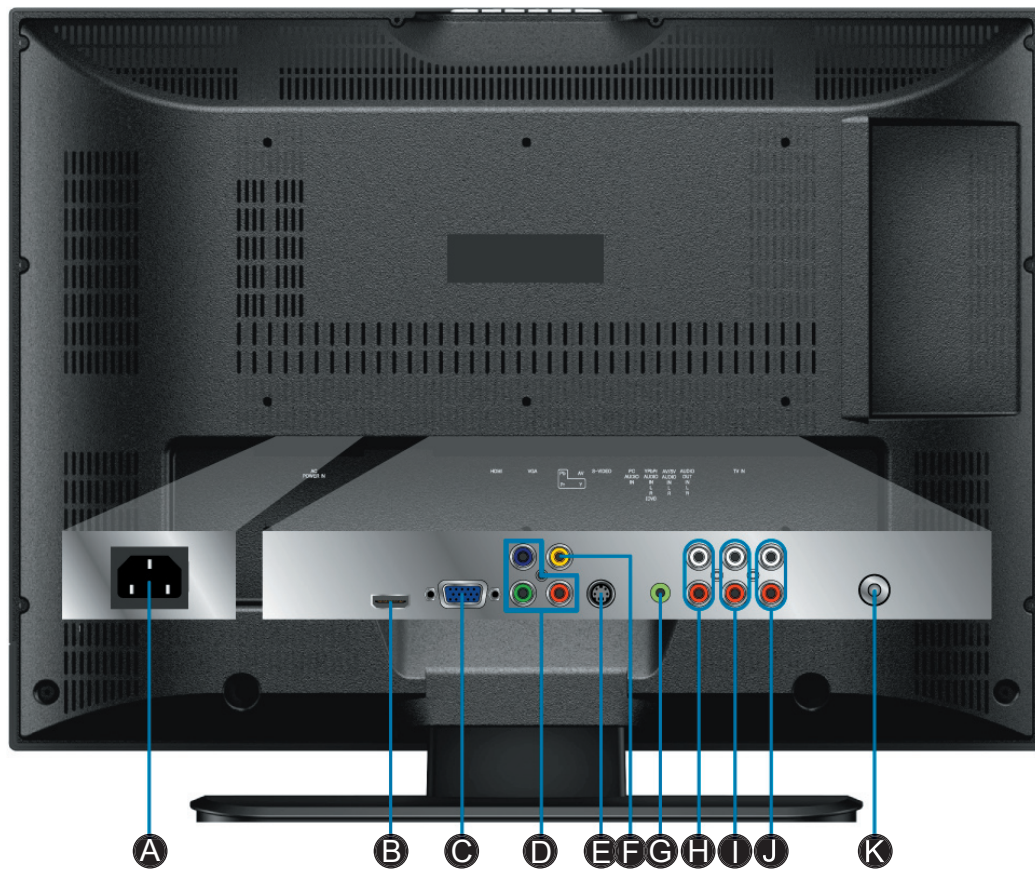
3. Front Panel Function Control Description

Front View of the Product



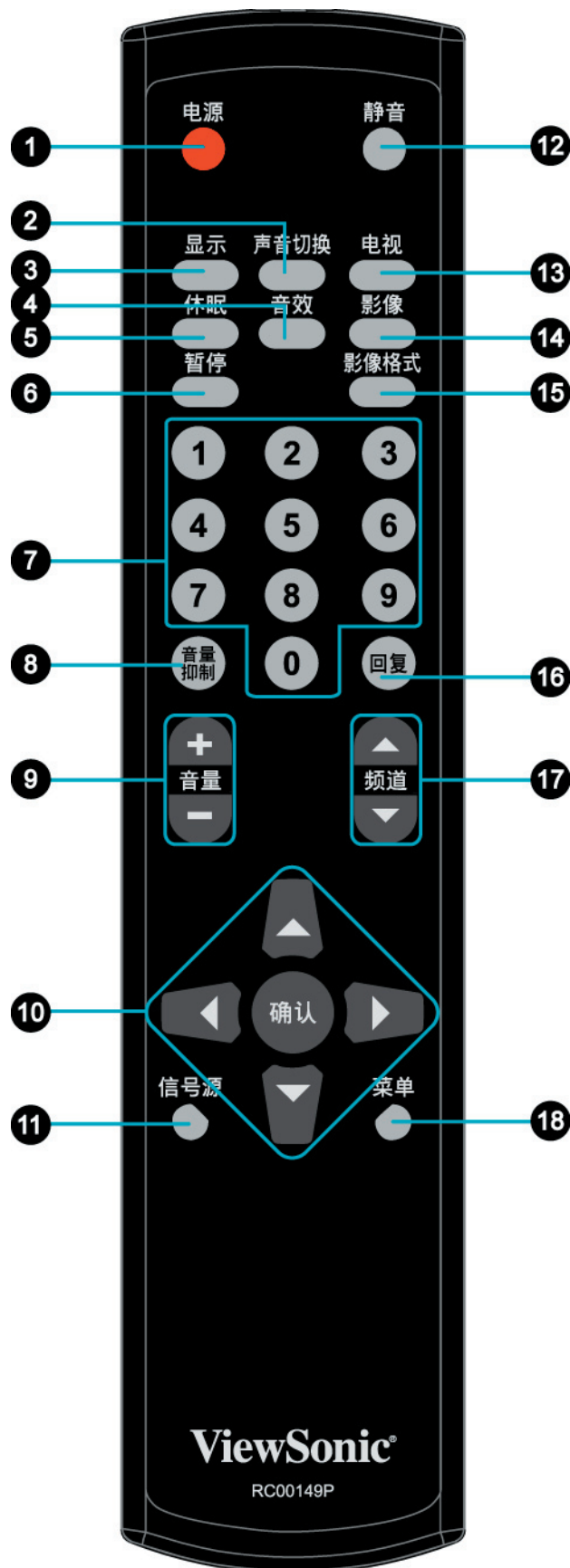
- 1 Volume Down**
Decrease sound volume or adjust a highlighted control while in OSD menu.
- 2 Volume Up**
Increase sound volume or adjust a highlighted control while in OSD menu.
- 3 Menu**
Turn OSD menu ON/OFF.
- 4 CH Down**
Channel down when source is at TV or select a control while in OSD menu.
- 5 CH Up**
Channel up when source is at TV or select a control while in OSD menu.
- 6 ENTER**
To highlight a control in OSD menu.
- 7 Power ON/OFF button**
- 8 Remote Control Receiver**
- 9 Power LED Indicator**

Rear View of the Product



- A Power (AC input)**
Connect to LCD TV and AC outlet with the power cord.
- B HDMI Input Terminal**
Connect this port to the HDMI output of A/V device.
- C VGA (15 pin) Signal Input**
Connect this port to the VGA output of your PC.
- D YPbPr / HD Component Video Input**
Connect the external video devices with component output to these jacks.
- E S-Video input**
Connect other devices, such as DVD or VCD to this port.
- F Composite Video input**
Connect other devices, such as DVD or VCD to this port.
- G PC Audio input**
Connect this port to PC line out jack.
- H Audio Input for YPbPr Components**
Connect external audio to this port (left/ right).
- I Audio Input for AV or S-Video Components**
Connect external audio to this port (left/ right).
- J Audio output (left/right)**
Connect external speaker into this jack.
- K RF Antenna / Cable TV Input**
Connect to the antenna or cable service.

Remote Control



Remote control button function as follow

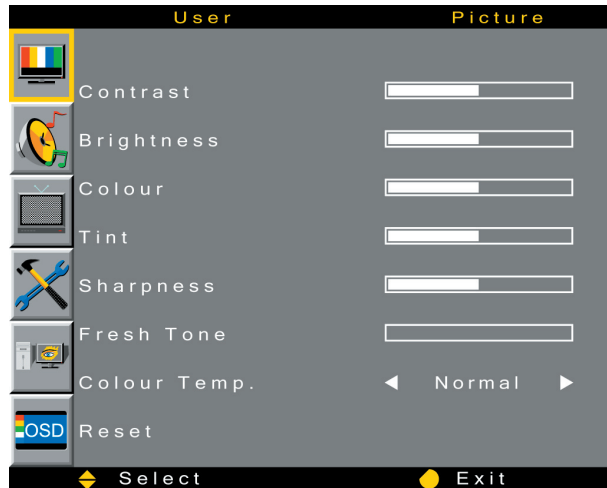
1	POWER	Power ON/OFF
2	MTS	MTS select
3	INFO	Display current information
4	SOUND	Select situation mode for sound
5	SLEEP	TV Sleep timer setup
6	FREEZE	“Freeze-Frame” the current screen
7	0~9 number button	Switch channel number keys
8	AVC	The tuner contains automatic volume control circuitry (AVC) to prevent converter overload
9	VOL+ and VOL-	Adjust volume up or down
10	UP/ DOWN /LEFT/ RIGHT/ ENTER	UP/ DOWN/ LEFT/ RIGHT: Select or adjust the function of OSD ENTER: Enter the function setting
11	INPUT	Select input source
12	MUTE	Volume mute ON/OFF
13	TV	Swap between TV. Swap to TV when in other source
14	PICTURE	Select situation mode for picture
15	WIDE	Aspect ratio, used to select image size
16	RETURN	Return to previous channel
17	PROGRAM UP/ DOWN	Select up or down programs
18	MENU	On Screen Display (OSD) menu ON/OFF

OSD Functions

ADVANCED OPERATION—OSD MENU/ REMOTE CONTROL

Picture Menu — Adjusting the picture

It is active in TV/ AV/ S-VIDEO/ YPbPr/ HDMI source.



- **Contrast:** To adjust contrast of video.
- **Brightness:** To adjust luminance of video.
- **Colour:** To adjust colour.
- **Tint:** To adjust tint level.
- **Sharpness:** To adjust picture sharpness.
- **Fresh Tone:** To adjust colour of skin.
- **Colour Temp.:** To select the screen colour temperature between Normal, Warm, and Cool.
- **Reset:** Press **ENTER** to reset all the settings in Picture page.

Sound Menu — To adjust sound

It is active in all input sources.



- **Bass:** To adjust the bass (It is only active when sound mode is in "User" condition).
- **Treble:** To adjust the treble (it is only active when sound mode is in "User" condition).
- **Balance:** To adjust left and right audio balance.
- **Equalizer:** To adjust the equalizer.
- **Reset:** Press **ENTER** to reset all the settings in Sound page.

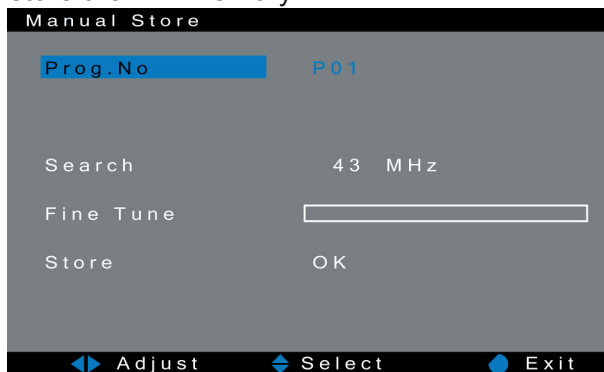
Channel Menu — To setup for TV

It is only active in TV source.



- **Auto Scan:** To automatically preset the channels into TV's memory by pressing ◀▶. Kindly suggest you auto scan all the channels before watching your TV for the first time.
Note: Auto Scan will scan twice. First scan for PAL system, and second scan for SECAM system. After auto scan all the channels, you need not to do it again when turning on your TV next time.
- **Manual Store:** The function is to give a minute search for possible existing channels and store them in memory.

*China TV system: PAL D/K

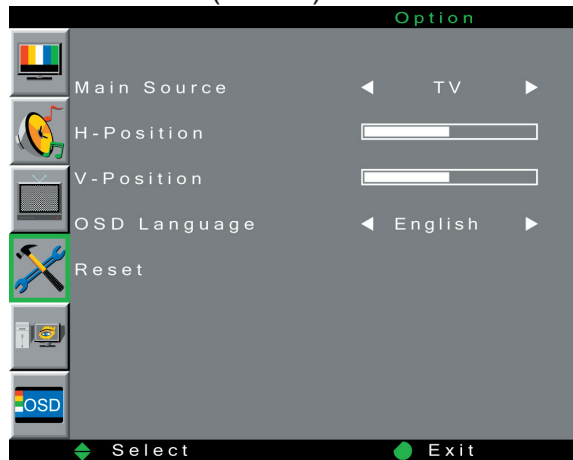


1. Press ◀ or ▶ to get into "Manual Store".
2. Move the cursor to "Prog. No", and select the desired channel position with ◀▶.
3. Move your cursor to "Search", and search the detectable channels with ◀▶.
4. Move your cursor to "Fine Tune", and adjust the picture with ◀▶.
5. Move to Store, then store the instruction with **ENTER**.

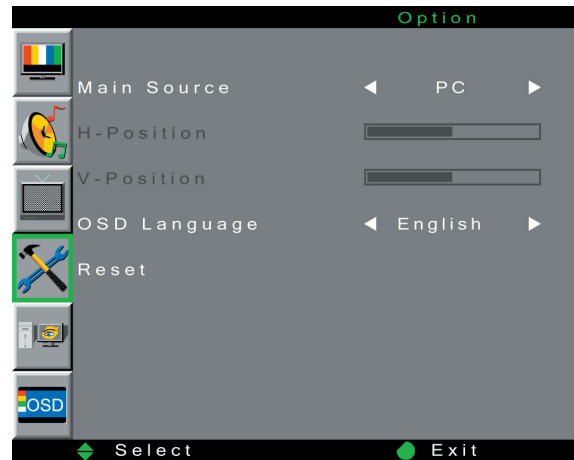
Note: The channel will be stored instead of the former program.

Option Menu

When input source is TV/ AV/ S-VIDEO/ YPbPr/ HDMI (HDCP):



When input source is PC/ HDMI(PC):



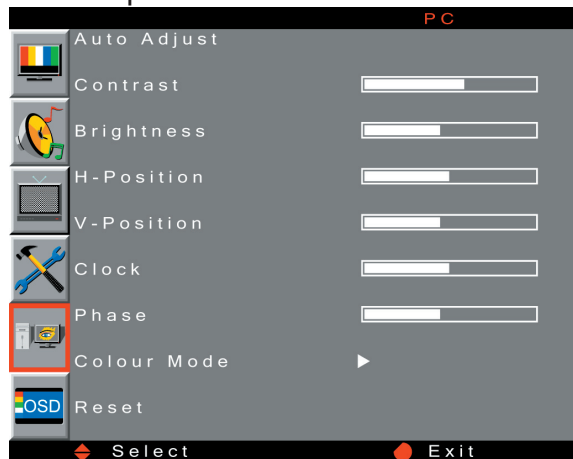
- **Main Source:** To select the input source for main screen between TV, YPbPr, AV, S-Video, PC, and HDMI with ◀▶.
- **H-Position:** To adjust the horizontal position of the video with ◀▶.
- **V-Position:** To adjust the vertical position of the video with ◀▶.
- **OSD Language:** To select the OSD language between English, Simply Chinese and Traditional Chinese with ◀▶.
- **Reset:** Press **ENTER** to reset all the settings in Option page.

Note: When input source is PC/ HDMI(PC), the controls of H-Position and V-Position are disabled.

PC Menu — to Adjust for PC

It is only active in PC and HDMI (support PC mode).

When input source is PC:

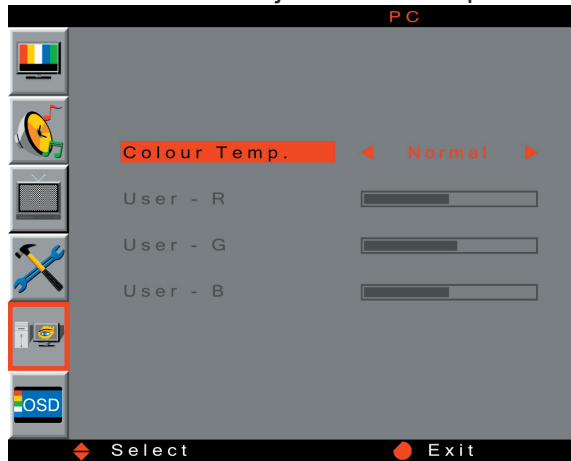


When input source is HDMI(PC mode):



- **Auto Adjust:** Auto adjust picture's horizontal position, vertical position, fine tune, and H-Size with ◀▶.
- **Contrast:** To adjust foreground luminance of video.
- **Brightness:** To adjust background luminance of video.
- **H-Position:** To adjust horizontal position of video.
- **V-Position:** To adjust vertical position of video.
- **Clock:** To adjust delay time of clock in order to reduce the noise of picture.
- **Phase:** To adjust delay time of phase in order to reduce the noise of picture.

- **Colour Mode:** To adjust colour temperature.



1. Press ◀ or ▶ to get into Colour Mode.
2. Use ◀▶ to select between Normal, Warm, Cool, and User.
3. When select "User", it allows you separately adjust the colour of red, green, and blue.

- **Reset:** Press **ENTER** to reset all the settings in PC page.

Note: When input source is HDMI(PC), the controls of H-Position, V-Position, Clock, and Phase are disabled.

OSD Menu — To setup OSD window

It is active in all input sources.



- **H-Position:** To adjust the OSD horizontal position with ◀▶.
- **V- Position:** To adjust the OSD vertical position with ◀▶.
- **Duration:** To automatically shut off the OSD after a preset period of time passed. Use ◀▶ to preset the time from 5 to 60 seconds.
- **Reset:** Press **ENTER** to reset all the settings in OSD page.

4. Circuit Description

Video:

The MST96889LD is a high performance and full integrated IC for multi-function LCD monitor/TV with resolution up to SXGA/WXGA. It is configured an integrated triple-ADC/PLL, an integrated DVI/HDCP/HDMI receiver ,a multi-standard TV video and audio decoder,a video de-interlacer,a scaling engine,the MSTARACE-3 color engine,an on-screen display controller,an 8 bit mcu and a built-in output panel interface.With external frame buffer,3-D video decoding and processing are fulfilled for high-quality TV applications.to further reduces system costs,the MST96889LD also integrates intelligent power management control capability for green-mode requirment and spread-spectrum support for EMI management.

Audio:

This is a stereo fully digital audio amplifier with output power which can deliver up to 2 x 16 w to 4ohm load with 12v supply voltage. Using SCL/SDA digital conral interface,AD8256A provides sound processing functions including volume ,bass ,treble,EQ,Mixing and Dynamic Range control.

TUNER FEATURES

Multi-standard TV Systems broadcast reception
Especially developed for LCD-TV/PDP application
New input configuration resurts in best-in-class noise
Figure : typically 5.5dB in UHF
True 5 v device
Full frequency range from 48.25MHz TO 863.25MHz
PLL controlled tuning
True synchronous vision IF demodulator
Ultra linear FM PLL demodulator
Demodulated video output,AF sound output,second IF sound output.
I2C-bus control 2nd IF address for pip application
Coplies with European regulations on radiation,signal handling and immunity
Coplies to CISPR13 including am end ment and amen dment
Low profilr horizontally mounted metal 70 mmhousing
Enviromentally friendly lead-free process used
Suitable for lead-free wave soldering

INTERMEDIATE FREQUENCIES

SYSTEM	D/K	B/G	I	L	L'
Picture	38.90	38.90	38.90	38.90	33.95
Colour	34.47	34.47	34.47	34.47	38.38
Sound 1	32.40	33.40	32.90	32.40	40.45
Sound 2		33.16			
NICAM	33.05	33.05	32.348	33.05	39.80

CHANNEL COVERAGE

BAND	FREQUENCY
Low	48.25 to 160.00 MHz
Mid	160.00 to 442.00 MHz
High	442.00 to 863.25 MHz

MODE. We can't switch over to the next MODE until AUTO ADJUST disappears.

1.4.5 HDMI MODE FUNCTION TEST

A. DVI MODE: Depend on the TIMING of TIMING TABLE (TABLE 3) to check MODE in order.

B. HDMI MODE: make sure the 480i, 480p, 720p, 1080i TIMING is right.

1.4.6 OSD FUNCTION TEST

A. Time: 1360x768@60Hz

B. Pattern: 16*12 pane

C. Make sure that Each FUNCTION has one right action.

1.4.7 YPbPr, S-VIDEO, AV, TV, DTV'S FUNCTION TEST

A. Input YPbPr, S-VIDEO, AV , TV, signal and check.

B. Input PAL D/K air channel (TABLE 1) for TV channel.

C. Under YPbPr MODE, Make sure the 408i, 480P, 720P, 1080i is right.

1.4.8 AUDIO FUNCTION TEST

A. Audio input includes PC AUDIO IN, S-VIDEO/AV AUDIO IN and YPbPr AUDIO IN.

B. Under PC MODE, input PC AUDIO signal, checks whether the action of AUDIO IN is right.

C. Under S-VIDEO/AV MODE, input L/R AUDIO signal, checks whether the action of AUDIO IN is right.

D. Under YPbPr MODE, input L/R AUDIO signal, checks whether the action of AUDIO IN is right.

E. Under HDMI MODE, checks whether the action of AUDIO IN is right.

F. AUDIO OUT FUNCTION TEST: Under all patterns except PC,HDMI,YPbPr pattern, The Audio output meets active extra speaker, examines whether the extra speaker makes the sound.

1.4.9 EARPHONE FUNCTION TEST

Under PC MODE, input PC AUDIO signal, determines whether the action of INT SPEAKER output is right. Meets earphone with the EARPHONE, Determined whether the action of EARPHONE output is normal.

TV Frequency Table:
(TABLE 2)

CHINA Channel –PAL- D/K (VIF:38.0MHz , SIF:31.5MHz)					(Unit : MHz)				
CH	Frequency Range	Picture fp	Sound fs	Oscillation f osc	CH	Frequency Range	Picture fp	Sound fs	Oscillation f osc
1	48.5-56.5	49.75	56.25	87.75	Z-36	447-455	448.25	454.75	486.25
2	56.5-64.5	57.75	64.25	95.75	Z-37	455-463	456.25	462.75	494.25
3	64.5-72.5	65.75	72.25	103.75	13	470-478	471.25	477.75	509.25
4	76-84	77.25	83.75	115.25	14	478-486	479.25	485.75	517.25
5	84-92	85.25	91.75	123.25	15	486-494	487.25	493.75	525.25
Z-1	111-119	112.25	118.75	150.25	16	494-502	495.25	501.75	533.25
Z-2	119-127	120.25	126.75	158.25	17	502-510	503.25	509.75	541.25
Z-3	127-135	128.25	134.75	166.25	18	510-518	511.25	517.75	549.25
Z-4	135-143	136.25	142.75	174.25	19	518-526	519.25	525.75	557.25
Z-5	143-151	144.25	150.75	182.25	20	526-534	527.25	533.75	565.25
Z-6	151-159	152.25	158.75	190.25	21	534-542	535.25	541.75	573.25
Z-7	159-167	160.25	166.75	198.25	22	542-550	543.25	549.75	581.25
6	167-175	168.25	174.75	206.25	23	550-558	551.25	557.75	589.25
7	175-183	176.25	182.75	214.25	24	558-566	559.25	565.75	597.25
8	183-191	184.25	190.75	222.25	25	606-614	607.25	613.75	645.25
9	191-199	192.25	198.75	230.25	26	614-622	615.25	621.75	653.25
10	199-207	200.25	206.75	238.25	27	622-630	623.25	629.75	661.25
11	207-215	208.25	214.75	246.25	28	630-638	631.25	637.75	669.25
12	215-223	216.25	222.75	254.25	29	638-646	639.25	645.75	677.25
Z-8	223-231	224.25	230.75	262.25	30	646-654	647.25	653.75	685.25
Z-9	231-239	232.25	238.75	270.25	31	654-662	655.25	661.75	693.25
Z-10	239-247	240.25	246.75	278.25	32	662-670	663.25	669.75	701.25
Z-11	247-255	248.25	254.75	286.25	33	670-678	671.25	677.75	709.25
Z-12	255-263	256.25	262.75	294.25	34	678-686	679.25	685.75	717.25
Z-13	263-271	264.25	270.75	302.25	35	686-694	687.25	693.75	725.25
Z-14	271-279	272.25	278.75	310.25	36	694-702	695.25	701.75	733.25
Z-15	279-287	280.25	286.75	318.25	37	702-710	703.25	709.75	741.25
Z-16	287-295	288.25	294.75	326.25	38	710-718	711.25	717.75	749.25
Z-17	295-303	296.25	302.75	334.25	39	718-726	719.25	725.75	757.25
Z-18	303-311	304.25	310.75	342.25	40	726-734	727.25	733.75	765.25
Z-19	311-319	312.25	318.75	350.25	41	734-742	735.25	741.75	773.25
Z-20	319-327	320.25	326.75	358.25	42	742-750	743.25	749.75	781.25
Z-21	327-335	328.25	334.75	366.25	43	750-758	751.25	757.75	789.25
Z-22	335-343	336.25	342.75	374.25	44	758-766	759.25	765.75	797.25
Z-23	343-351	344.25	350.75	382.25	45	766-774	767.25	773.75	805.25
Z-24	351-359	352.25	358.75	390.25	46	774-782	775.25	781.75	813.25
Z-25	359-367	360.25	366.75	398.25	47	782-790	783.25	789.75	821.25
Z-26	367-375	368.25	374.75	406.25	48	790-798	791.25	797.75	829.25
Z-27	375-383	376.25	382.75	414.25	49	798-806	799.25	805.75	837.25
Z-28	383-391	384.25	390.75	422.25	50	806-814	807.25	813.75	845.25
Z-29	391-399	392.25	398.75	430.25	51	814-822	815.25	821.75	853.25
Z-30	399-407	400.25	406.75	438.25	52	822-830	823.25	829.75	861.25
Z-31	407-415	408.25	414.75	446.25	53	830-838	831.25	837.75	869.25
Z-32	415-423	416.25	422.75	454.25	54	838-846	839.25	845.75	877.25
Z-33	423-431	424.25	430.75	462.25	55	846-854	847.25	853.75	885.25
Z-34	431-439	432.25	438.75	470.25	56	854-862	855.25	861.75	893.25
Z-35	439-447	440.25	446.75	478.25					

1.5. TV receiving test:

1.5.1 TV SIGNAL TEST ITEM

CENTRALISM TRANSMITTING SIGNAL CHECK CONTENT

CHANNEL ORDER	FREQUENCY (MHz)	SET CONTENT			CHECK CONTENT
		PATTERN	SOUND	P/S(dB)	
P0(PAL I)	45.75	MONO SCOPE	FM Mono (SWEEP TONE)	-5	ELECTRIC ABNORMITY SOUND
P1(SECAM L)	55.75	COLOR BAR	Nicam Stereo*2	-10	SOUND, PICTURE
P2(SECAM L)	160.00	MONO SCOPE	FM Mono*1 (400Hz)	-10	NOISE LIMITED SENSITIVITY
P3(PAL D/K)	440.25	Full White 100%	Nicam Dual	-10	SOUND, PICTURE
P4(PAL B/G)	471.25	Dem	Nicam Stereo*2	-16	STEREO FUNCTION
P5(PAL I)	603.25	MULTIBURST	Nicam Dual	-10	DUAL FUNCTION
P6(PAL B/G)	855.25	Color Bar	Nicam Stereo*2	-10	SOUND, VIDEO
P7(PAL D/K)	863.25	MONO SCOPE	FM MONO*1 (400Hz)	-10	NOISE LIMMITED SENSITIVITY

TV TEST METHOD

A.P0 Examines sound by ear, whether the sound does have mechanical resonation and the electrical unusual sound, and image to sound disturbance.

B.P1and P6: Check sound and picture.

C.P2: Examines whether the sound does receive the image disturbance, Judgment basis: Whether there is unusual sound, input signal LEVEL<=36dBu,and STEREO SENSITIVITY is normal.

D.P3: Under main/sub/main-sub mode, check sub function.

E.P4: Examines whether the sound does receive the image disturbance, Judgment basis: Whether there is unusual sound.

F. P5:Check T1 of close-caption. Input signal level<=45dBu.

G.P7: Adjustment attenuator, If the critical point of the change of the image signal to noise ratio is under LEVEL<=60dBu, regards as normally.

TIMING TABLE (FACTORY PRESET MODE)

(TABLE 3)

ITEM	1	2	3	4
TIMING	640*480@60HZ	640 *480@75HZ	800 *600@60HZ	800*600@75HZ
Pixel Rate	25.175MHZ	31.500MHZ	40.000MHZ	49.500MHZ
H TOTAL	31.778us	26.667us	26.400us	21.333us
H DISPLAY	25.422us	20.317us	20.000us	16.162us
H B-Porch	1.907us	3.810us	2.200us	3.232us
H Width	3.813us	2.032us	3.200us	1.616us
H Border	0.318us	0.000us	0.000us	0.000us
V TOTAL	16.683ms	13.334ms	16.579ms	13.333ms
V DISPLAY	15.253ms	12.800ms	15.840ms	12.800ms
V B-Porch	1.049ms	0.427ms	0.607ms	0.448ms
Vs Width	0.064ms	0.080ms	0.106ms	0.064ms
V Border	0.254ms	0.000ms	0.000ms	0.000ms
H/V Sync	-/-	-/-	+/+	+/+
Interlace	No.	No.	No.	No.
ITEM	5	6	7	8
TIMING	1024 ×768 60HZ	1024 ×768 75HZ	1280 ×720 60HZ	1280 ×768 60HZ
Pixel Rate	65.000MHZ	78.750MHZ	74.250MHZ	65.000MHZ
H TOTAL	20.677us	16.660us	22.222us	20.677us

H DISPLAY	15.754us	13.003us	17.239us	15.754us
H B-Porch	2.462us	2.235us	2.936us	2.462us
H Width	2.092us	1.219us	1.007us	2.092us
H Border	0.000us	0.000us	0.000us	0.000us
V TOTAL	16.666ms	13.328ms	16.667ms	16.666ms
V DISPLAY	15.880ms	12.795ms	16.000ms	15.880ms
V B-Porch	0.600ms	0.466ms	0.444ms	0.600ms
Vs Width	0.124ms	0.050ms	0.111ms	0.124ms
V Border	0.000ms	0.000ms	0.000ms	0.000ms
H/V Sync	-/-	+/+	-/-	-/-
Interlace	No.	No.	No.	No.

TIMING TABLE (FACTORY PRESET MODE) (TABLE 3)

ITEM	9	10	11	12
TIMING	1360 ×768 60HZ	1280 ×1024 60HZ		
Pixel Rate	85.5MHZ	108MHZ		
H TOTAL	20.959us	15.630us		
H DISPLAY	15.906us	11.852us		
H B-Porch	2.994us	2.296us		
H Width	1.310us	1.037us		
H Border	0.000us	0.000us		
V TOTAL	16.662ms	16.661ms		
V DISPLAY	16.097ms	16.005ms		
V B-Porch	0.377ms	0.594ms		
Vs Width	0.126ms	0.047ms		
V Border	0.00ms	0.00ms		
H/V Sync	+/+	+/+		
Interlace	No.	No.		

2. Firmware Upgrade Procedure

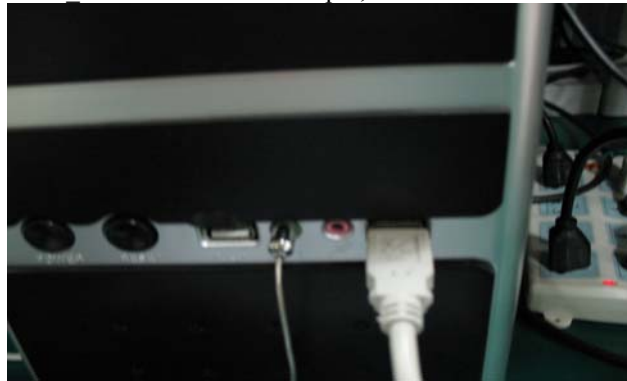
When you receive the returned LCD TV, please check whether the firmware version is the latest. If not, please do the following procedures to upgrade it to the latest version.

2.1. Equipment Needed

- N3250WB(G) LCD TV
- Fixture for Firmware Upgrade
- VGA Cable (
- PC (Personal Computer)
- Firmware Upgrade Program
- One additional LCD TV for checking the program execution

2.2. Connection PC to the Tv set by the tool as the follow picture (pc1~pc4)

Action: The D SUB cable must be 15 pin, and the TV set must be AC ON



pc.1



pc 2



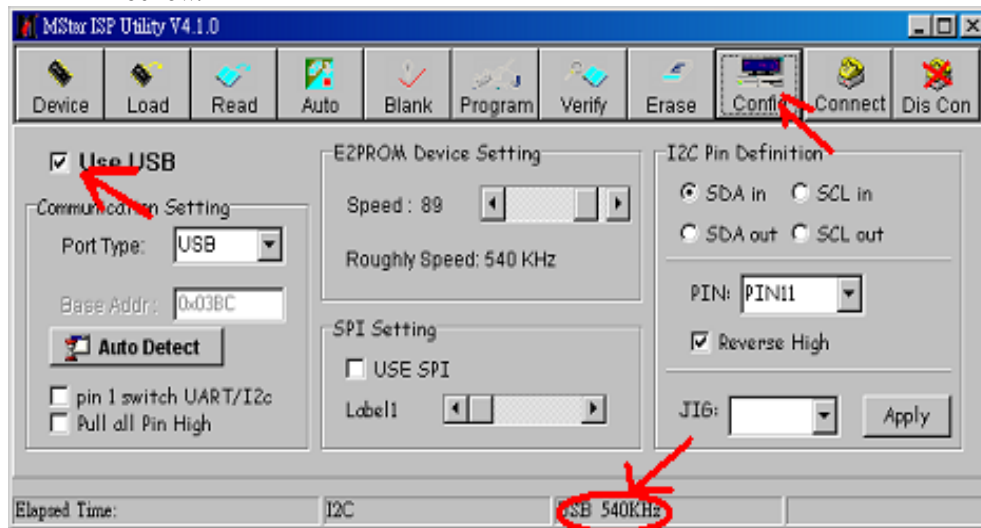
pc3



pc4

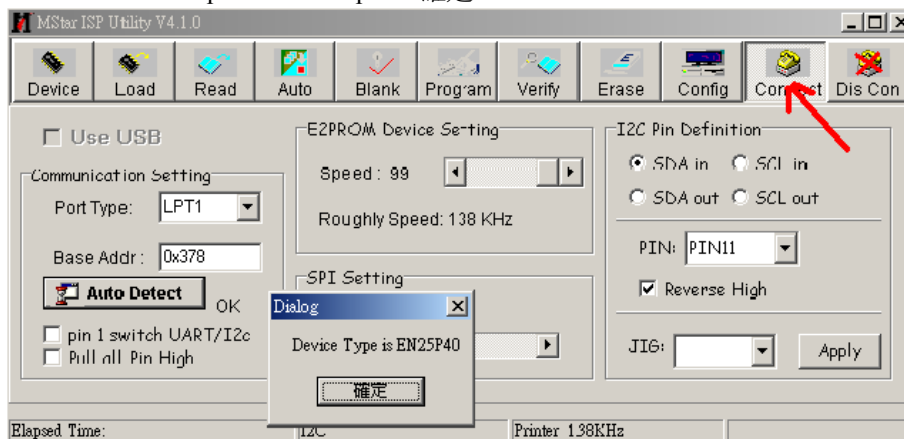
2.3. Start the Isp

1. Open the "ISP_Tool_410_T.exe"
2. Press the "config", if the the **ISP board** have been found ,you will see the picture as below.



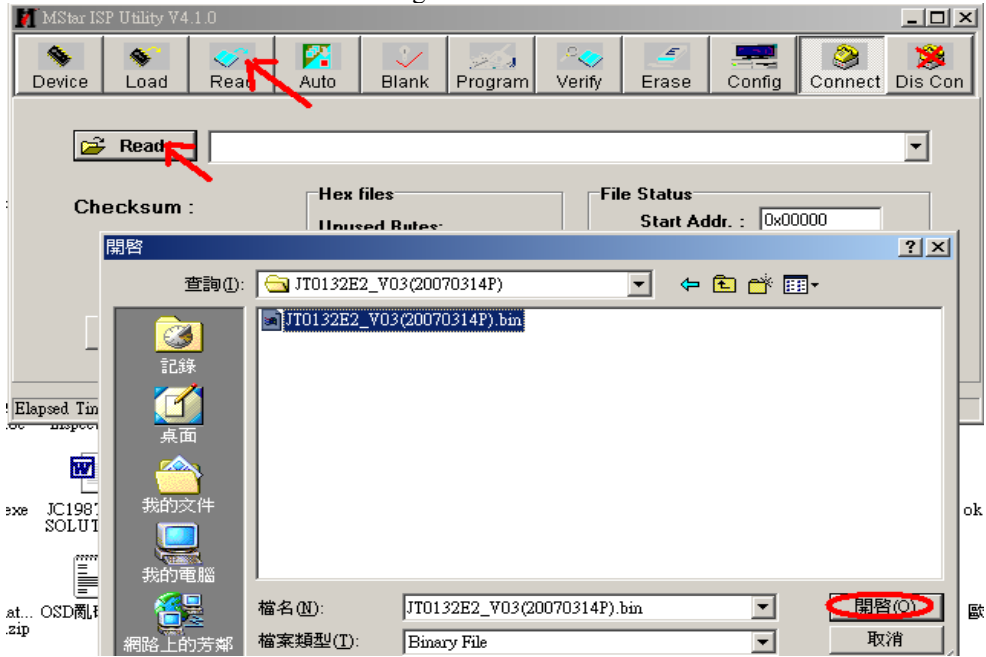
pc.6

3. Press the "Connect", If all the things are ok and ready, it will show the device type as the bellow picture. Than pres "確定"



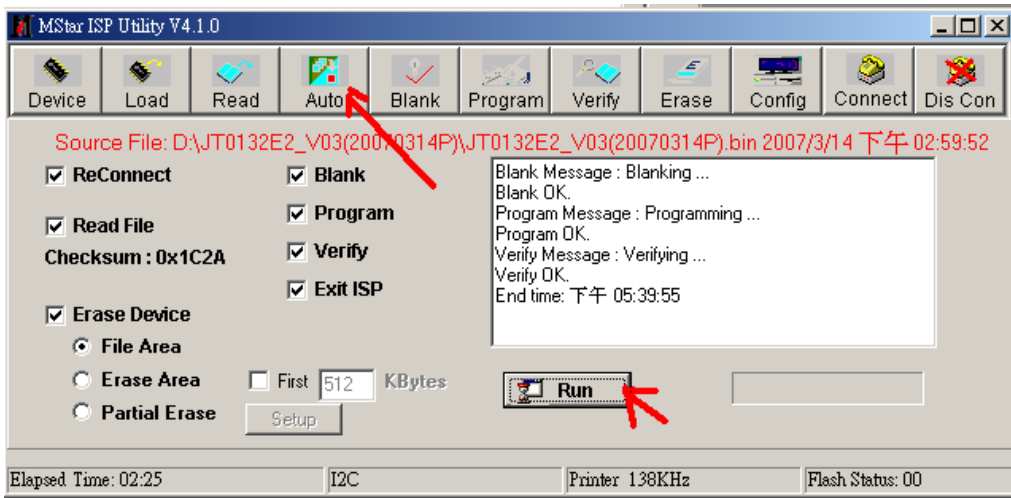
pc.7

4. Press “read” and choose the right F/W .



pc.8

5. Press “Auto”, then press “Run”. It will start ISP . When the ISP is ok ,you will see the information as the bellow picture.



pc.9

5. Pull away the AC power Cord and the D-SUB Cable. And start another TV set. When we start another TV set with AC ON, we only need to press the “RUN”

3. VGA DDC Key In Procedure

Note:

1. Every time after replacing the main board, you have to do the DDC key in.
2. If you find the DDC does not conform to the LCD TV, you have to do the DDC key in.

3.1 Equipment Needed

- N3750W(G) LCD TV
- DDC Card
- PC
- RS-232 cable
- Barcode Reader
- VGA Cable



N3250WB(G) LCD TV



DDC Card



PC



RS-232 Cable



VGA Cable



Barcode Reader

3.2 Setup Procedure

- 3.2.1 Connect VGA Card and DDC Card with RS-232 cable.



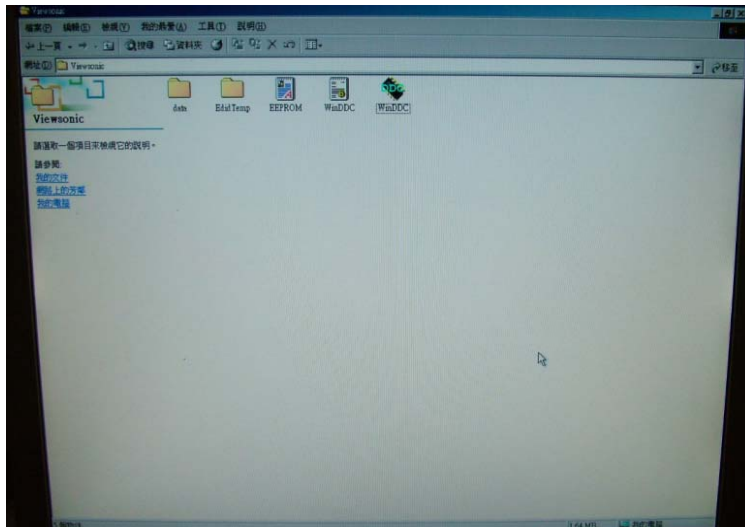
3.2.2 Barcode Reader connects with keyboard and PC keyboard port.



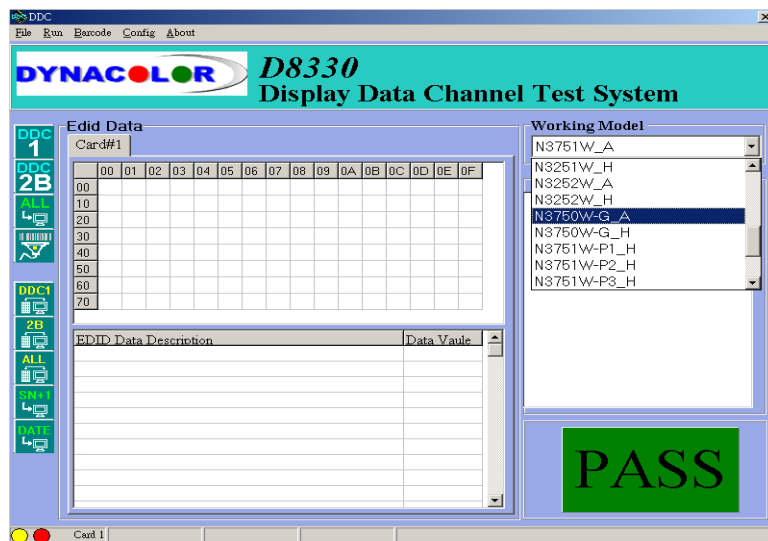
- 3.2.3 Connect DDC Card and N3250WB(G) LCD TV with VGA Cable.
(when key in DVI DDC information, use VGA transform to DVI port)
- 3.2.4 Connect Power Cord to N3250WB(G) LCD TV.

3.3 DDC Key In Procedure

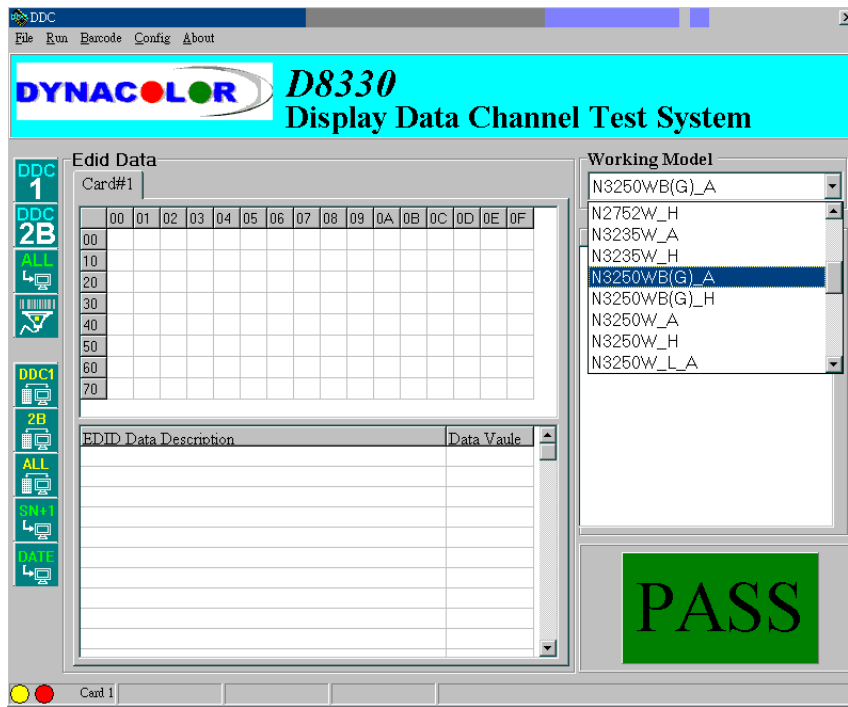
3.3.1 run DDC exe



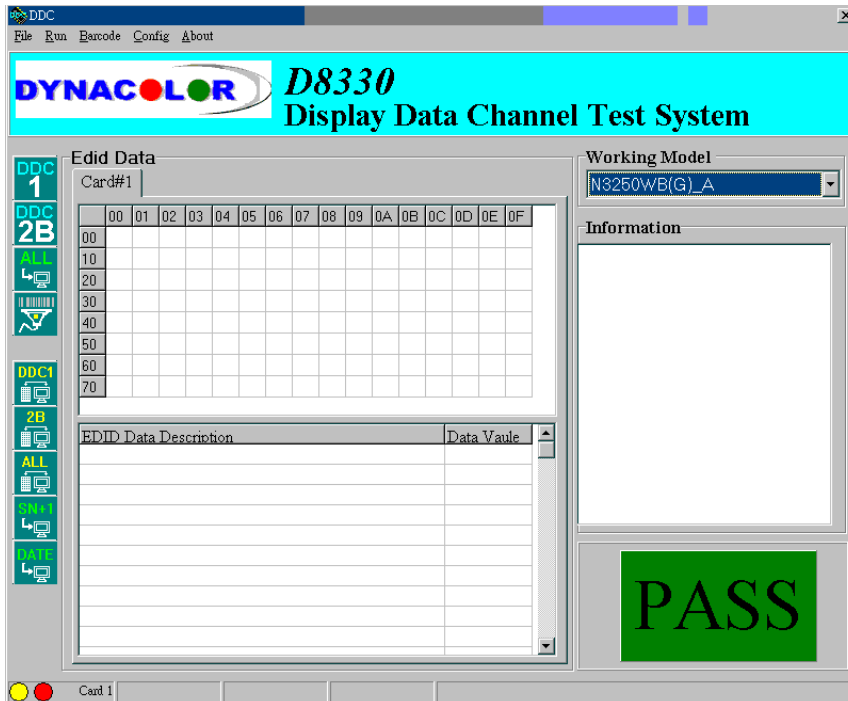
3.3.2 Choose model number then



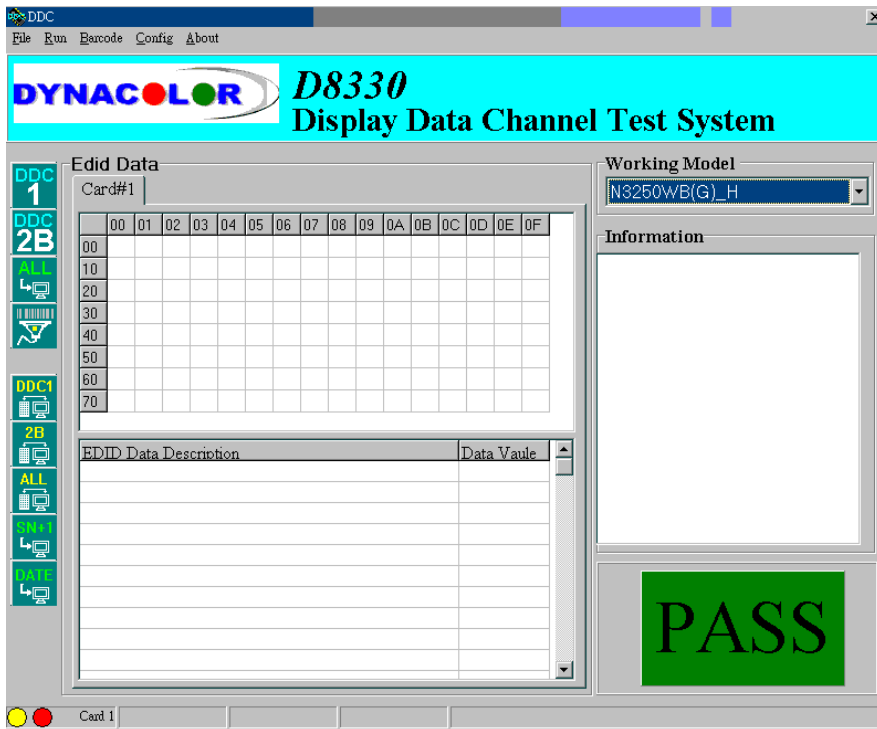
3.3.3 Press “ENTER” key.



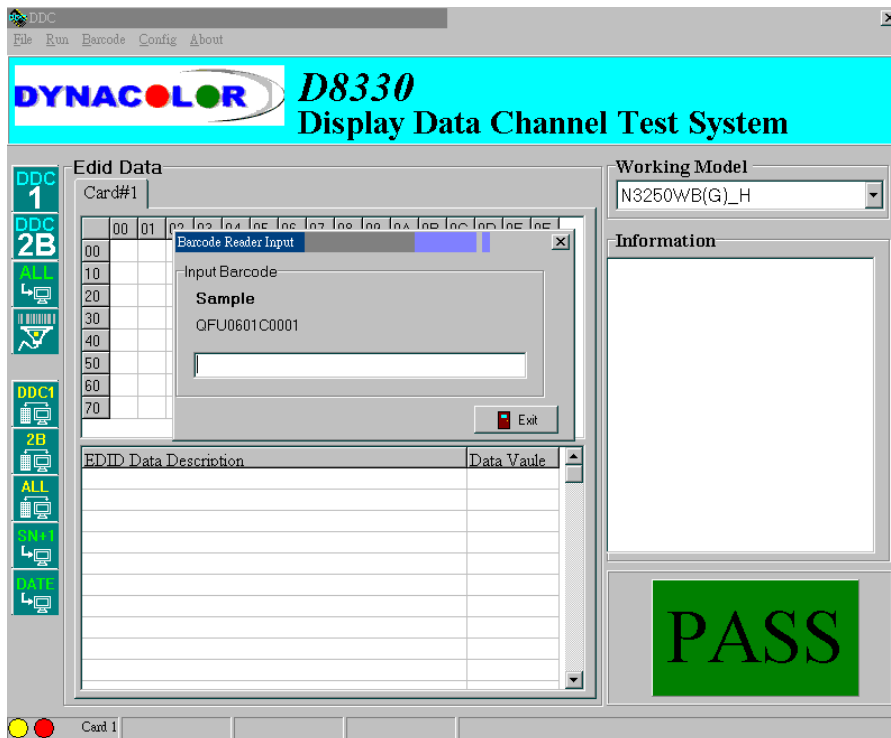
3.3.4 Press “F4” key



3.3.5 Input bar code



3.3.6 Press “ENTER” key, then the successful picture is as follows. “DDC DOWNLOADED OK!”



3.3.7 Exit program.

4. HDMI DDC Key In Procedure

There are three EDID files for the different HDMI connectors. So you must be download the different EDID into each HDMI connector.

4.1 Equipment Needed

- N3250WB(G) LCD TV
- PC
- RS-232 cable
- Barcode Reader
- HDMI Cable



N3250WB(G) LCD TV



PC



RS-232 Cable



HDMI Cable



Barcode Reader

4.2 Setup Procedure

- 4.2.1 Connect HDMI Card and DDC Card with RS-232 cable.



4.2.2 Barcode Reader connects with keyboard and PC keyboard port.

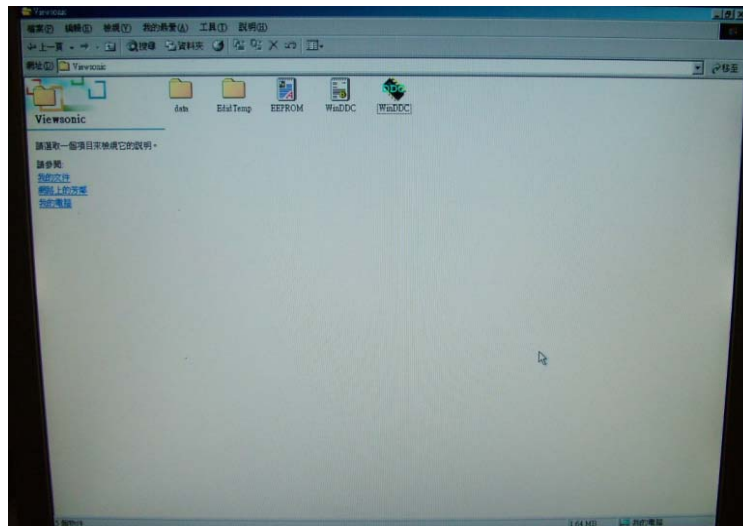


4.2.3 Connect DDC Card and N3250WB(G) LCD TV with HDMI Cable.

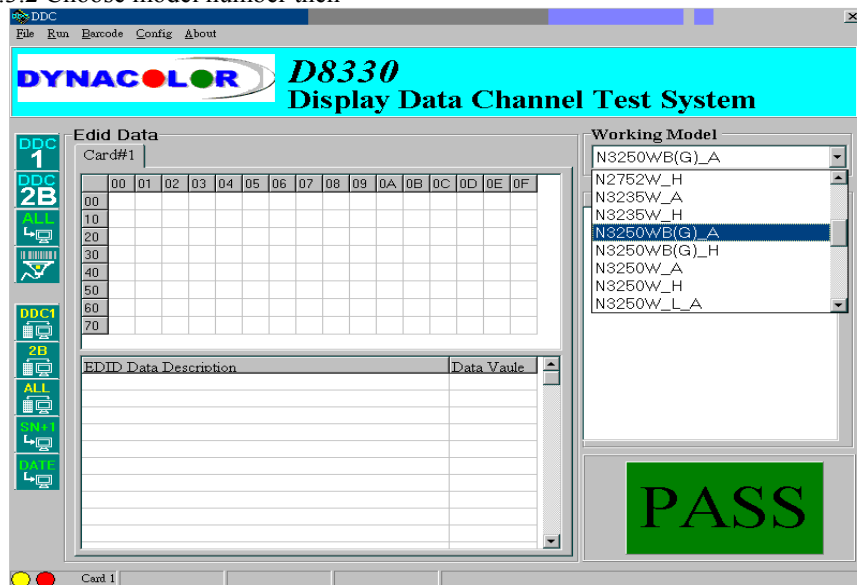
4.2.4 Connect Power Cord to N3250WB(G) LCD TV.

4.3 DDC Key In Procedure

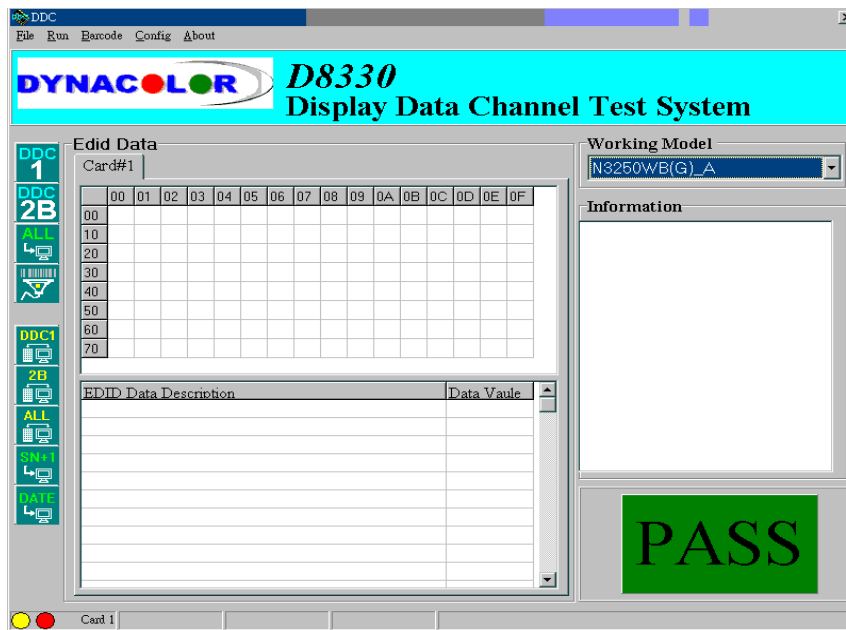
4.3.1 Run DDC.exe



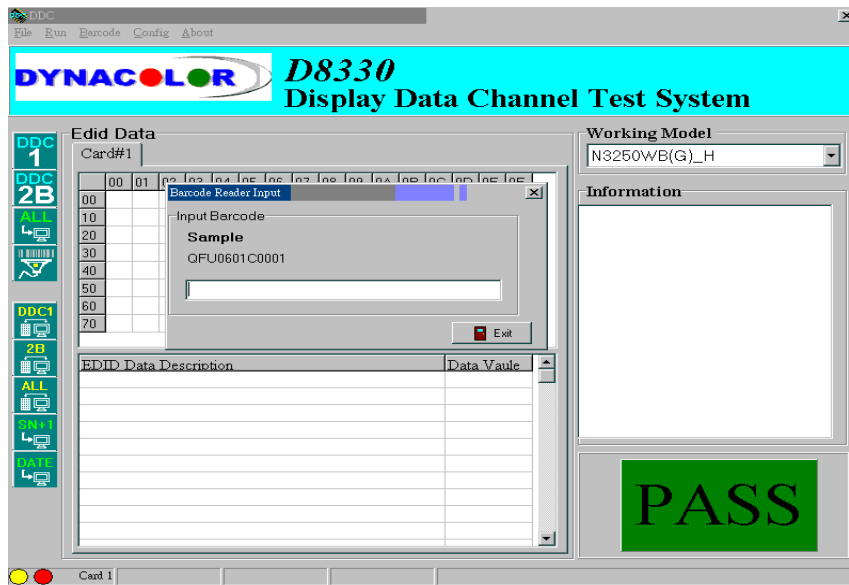
4.3.2 Choose model number then



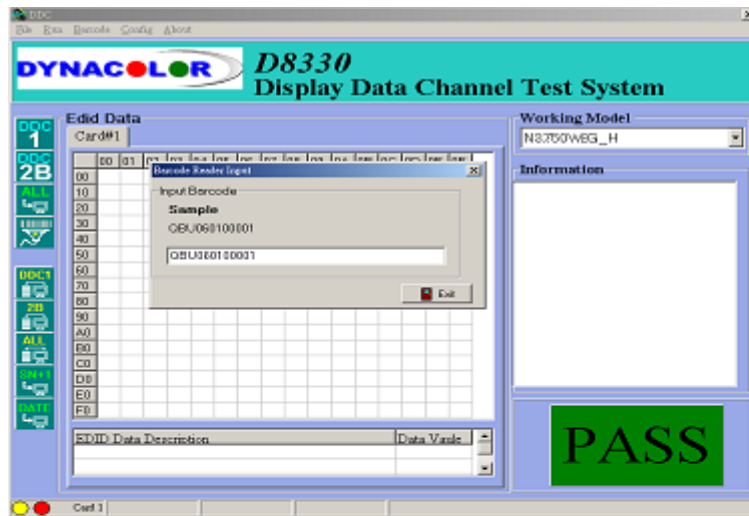
4.3.3 Press “ENTER” key.



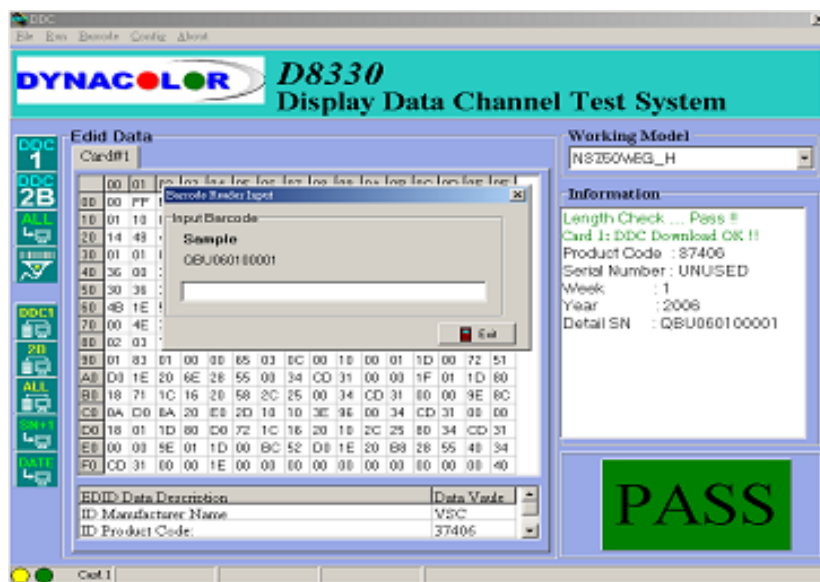
4.3.4 Press “F4” key.



4.3.5 Input bar code



4.3.6 Press “ENTER” key, then the successful picture is as follows. “DDC DOWNLOADED OK!”



4.3.7 Exit program

Packing For Shipping And Disassembly Procedure

Packing For Shipping

1. Packing Procedure

1.1 Paste protection film to protect the LCD TV. (Figure 1)

1.2 Put the LCD TV in the PE bag and seal the bag. (Figure 2)



Figure 1



Figure 2

1.3 Put the cushions on the LCD TV. (Figure 3)

1.4 Place the LCD TV into the carton and then Put the other cushions on the LCD TV, put all the accessories into the carton. At last, close the carton and seal it with tape. (Figure 4)



Figure 3

1.Power Cord 2.VGA Cable 3.RF Cable
4.RCA Cable 5.User's Guide 6.Remote control
7.Guarant Card 8.Battery

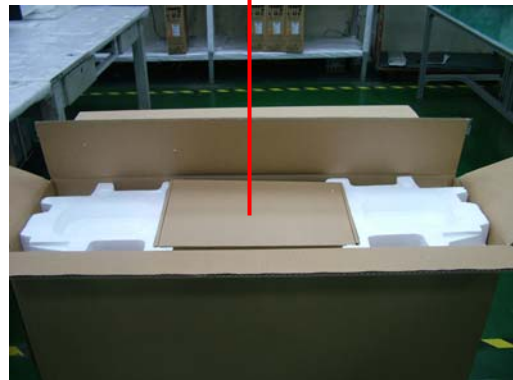
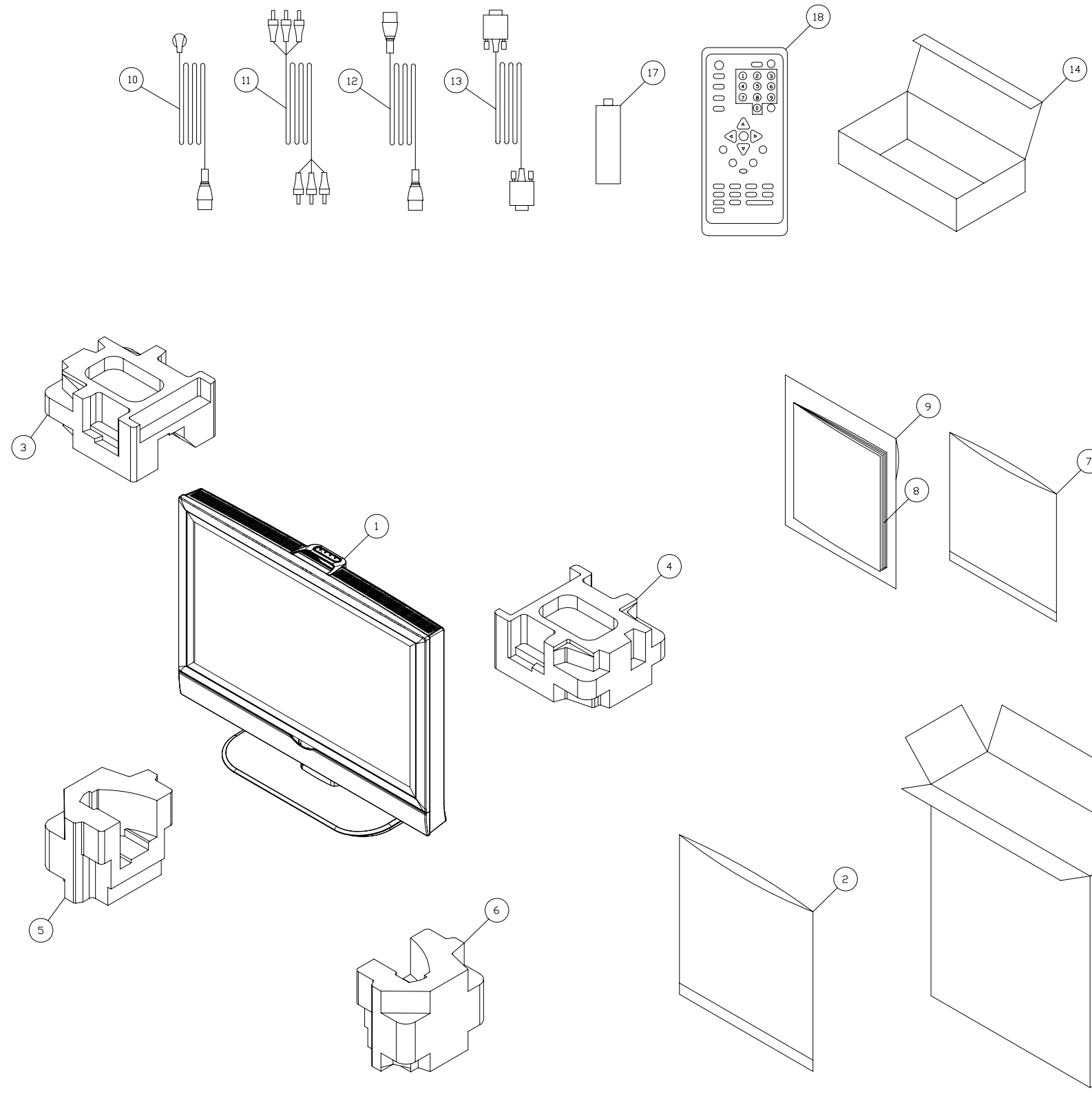


Figure 4

Packing for Shipping



PACKING PART LIST (N3250wb-1)

ViewSonic Model Number: VS11752-1G

Rev: 1a

Item	ViewSonic P/N	Ref. P/N	Location	Q'ty
1			N3250WB(G) monitor	1
2	P-00005968	2013054007P	POLYETHY BAG	1
3	P-00008435	2012199940P	POLYFOAM (T.R)	1
4	P-00008436	2012199950P	POLYFOAM (T.L)	1
5	P-00008437	2012199960P	POLYFOAM(B.R)	1
6	P-00008438	2012199970P	POLYFOAM(B.L)	1
7	P-00008064	2013228807P	POLYETHY BAG	1
8	DC-00008434	2001131777P	OWNER GUIDE	1
9	DC-00008435	2002310666P	GUARANT CARD(QSG)	1
10	N/A	2427130145P	AC POWER CORD	1
11	CB-00003425	2427701893P	RCA CABLE	1
12	CB-00006023	2427751801P	RF CABLE	1
13	A-VC-0101-0386	2427501187P	VGA CABLE	1
14	P-00004497	2011100017P	CARTON BOX	1
15	P-00008488	2011132802P	CARTON BOX	1
16	N/A	2055632260P	LABEL	1
17	A-00008045	2005100500P	BATTERY	2
18	A-00008153	2419200149P	REMOTE CONTRL	1

Disassembly Procedure

1. Disassembly of Rear Cover from LCD TV.

1.1 Unscrew 9 screws to remove Rear Cover.



2. Disassembly of Main Board, Power Board, IR Board, Keypad Board, Front Cover and Panel Unit.

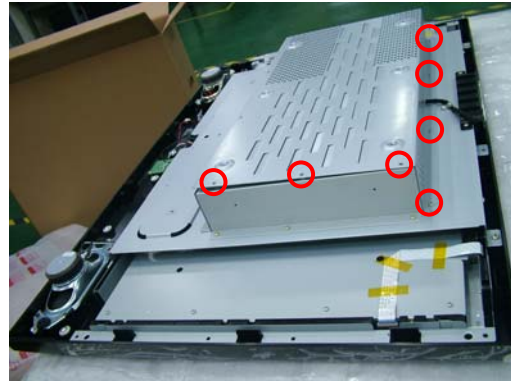
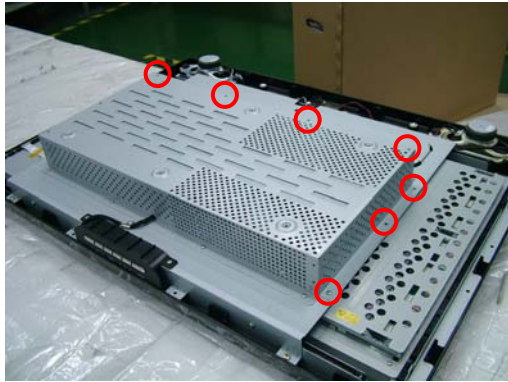
2.1 Unscrew 2 screws to remove Dust Cover.



Dust Cover



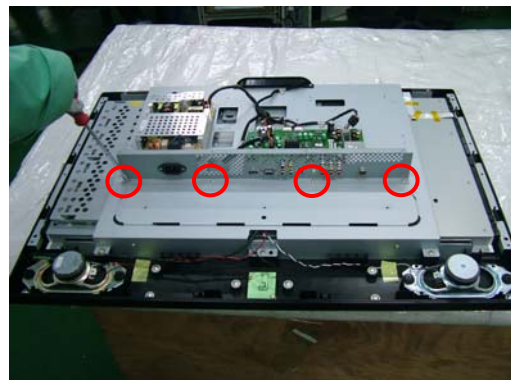
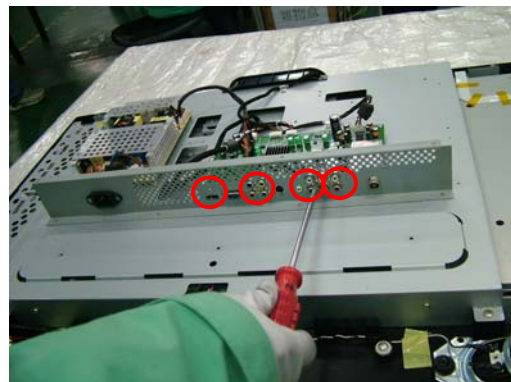
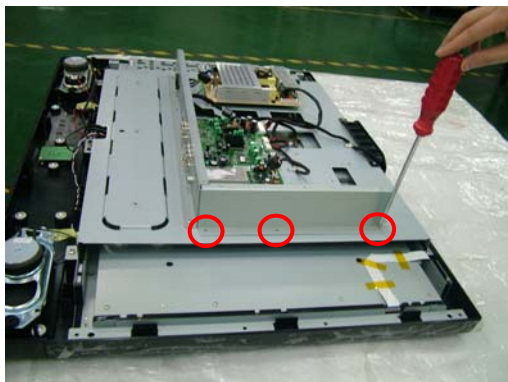
2.2 Unscrew 14 screws to remove Shield Plate.



Shield Plate



2.2. Unscrew 11 screws to remove METAL FITTG-I/O-Side and METAL FITTG-I/O-Down.

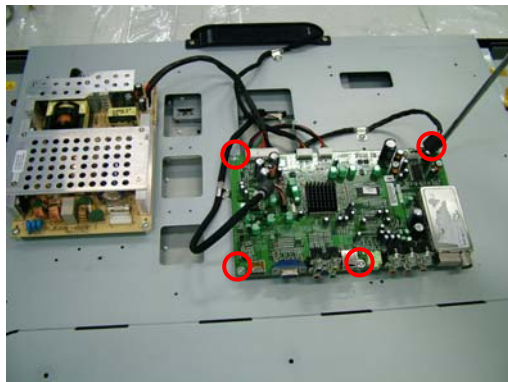




METAL FITTG-I/O-Side

METAL FITTG-I/O-Down

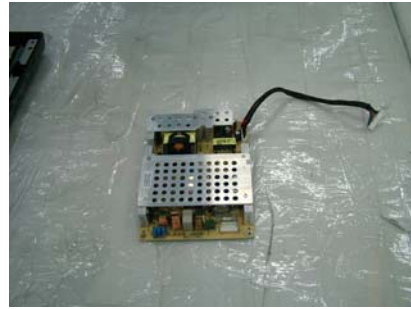
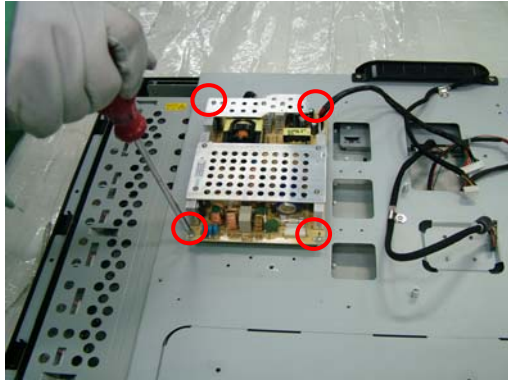
2.3. Unscrew 4 screws and disconnect the wires to remove Main Board.



Main Board



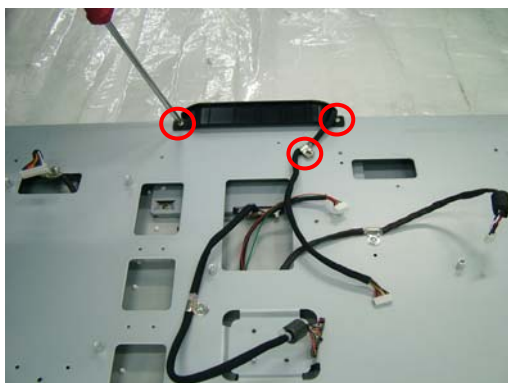
2.4. Unscrew 4 screws and disconnect the wires to remove Power Board.



Power Board



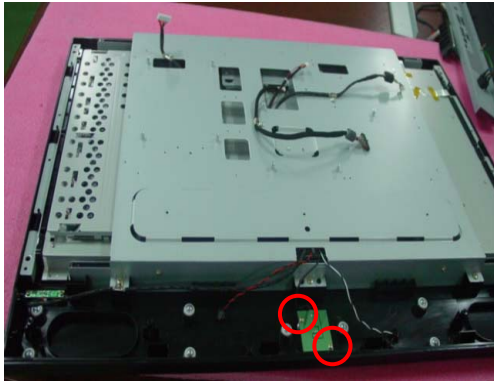
2.5. Unscrew 3 screws and disconnect the wires to remove KeyPad Board.



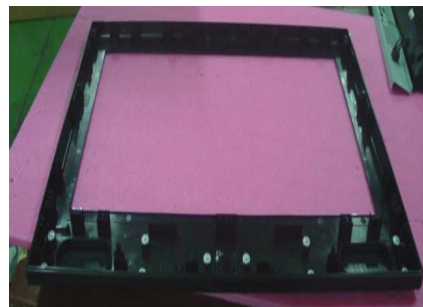
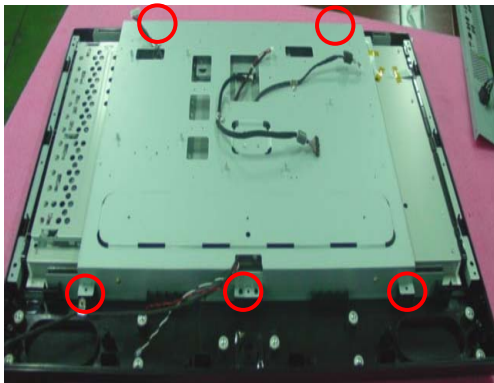
Key Board



2.6. Unscrew 2 screws to remove IR Board.



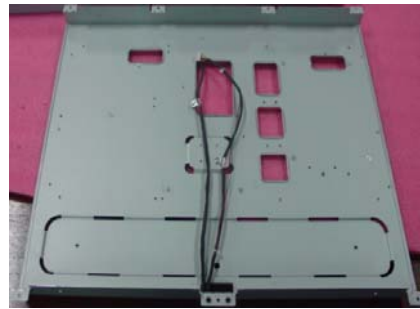
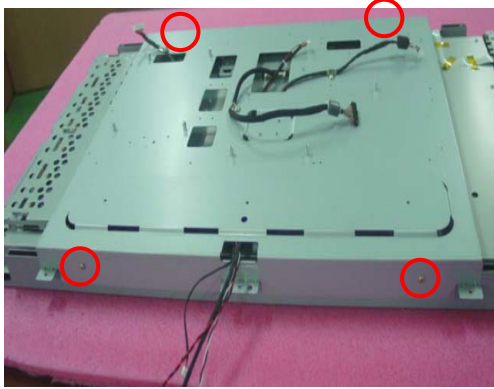
2.7. Unscrew 5 screws to remove Front Cover.



Front Cover



2.8. Unscrew 4 screws to remove Panel Bracket.



Panel Bracket

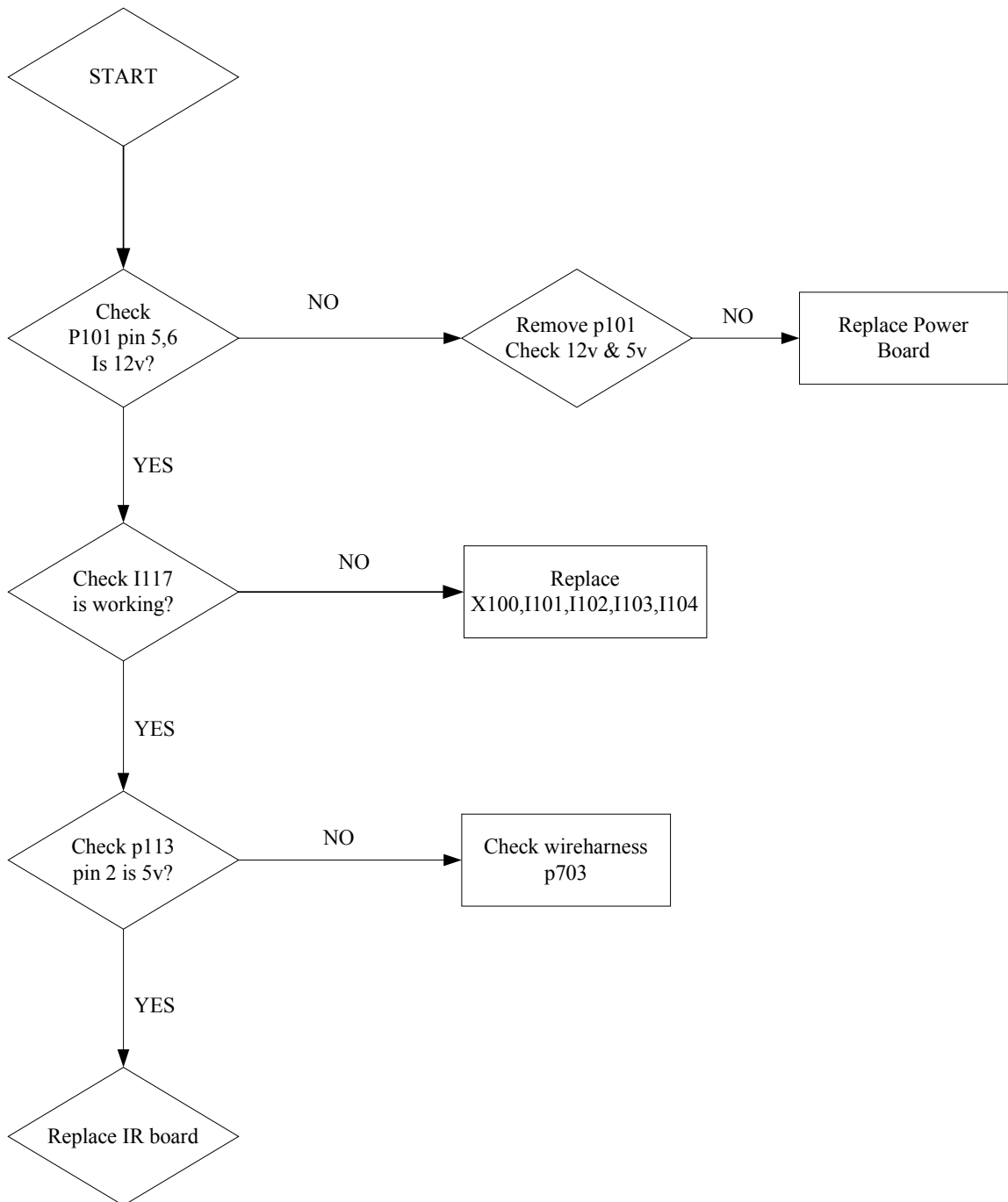
2.9. Unscrew 6 screws to remove Panel Unit.



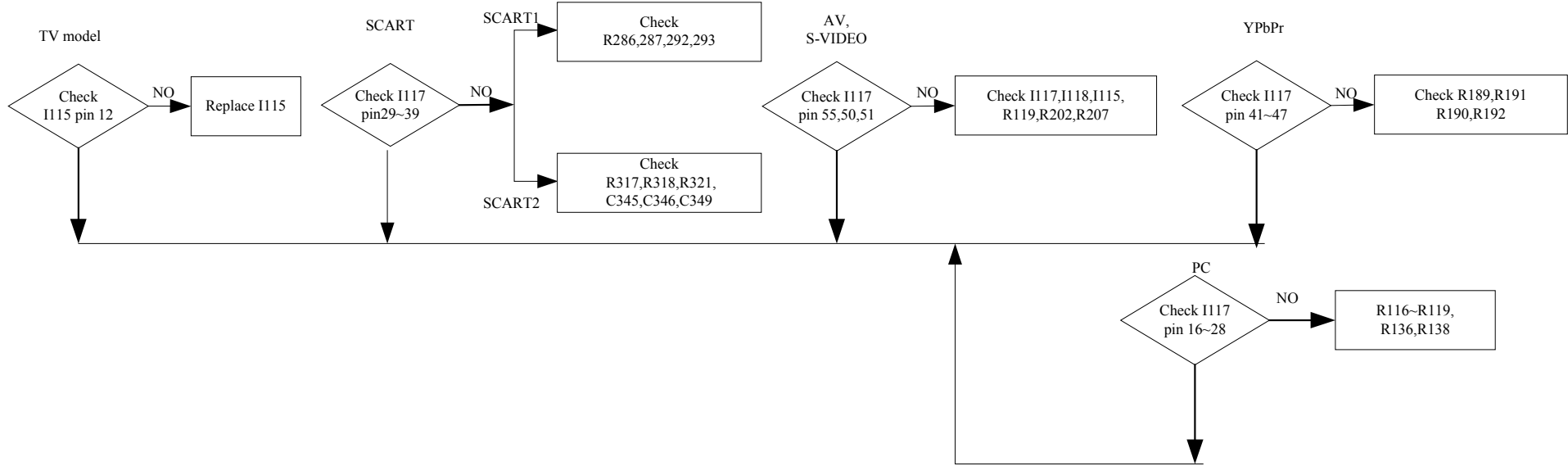
Panel Unit

6. Trouble Shooting Flow Chart

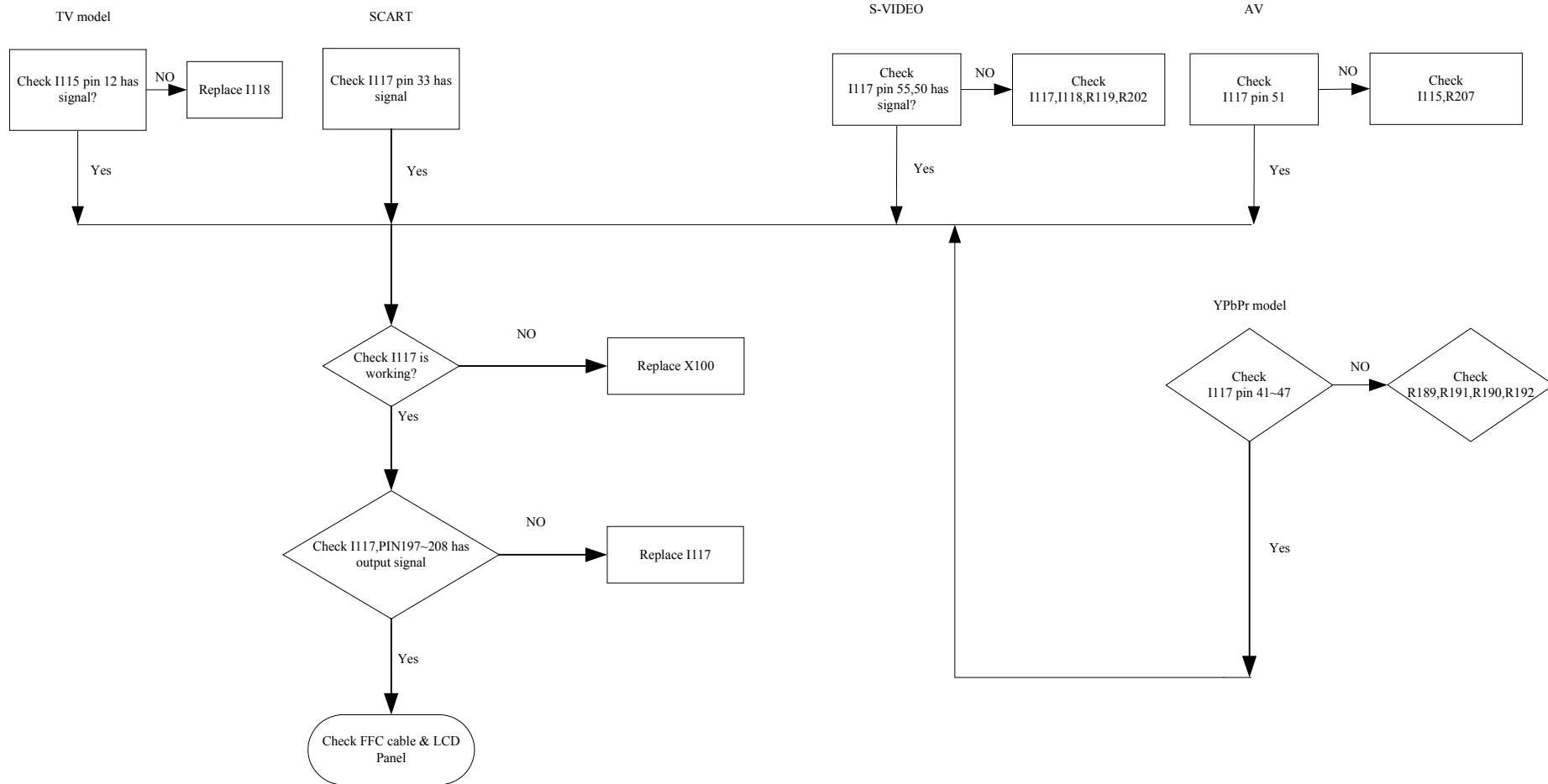
6.1. NO POWER



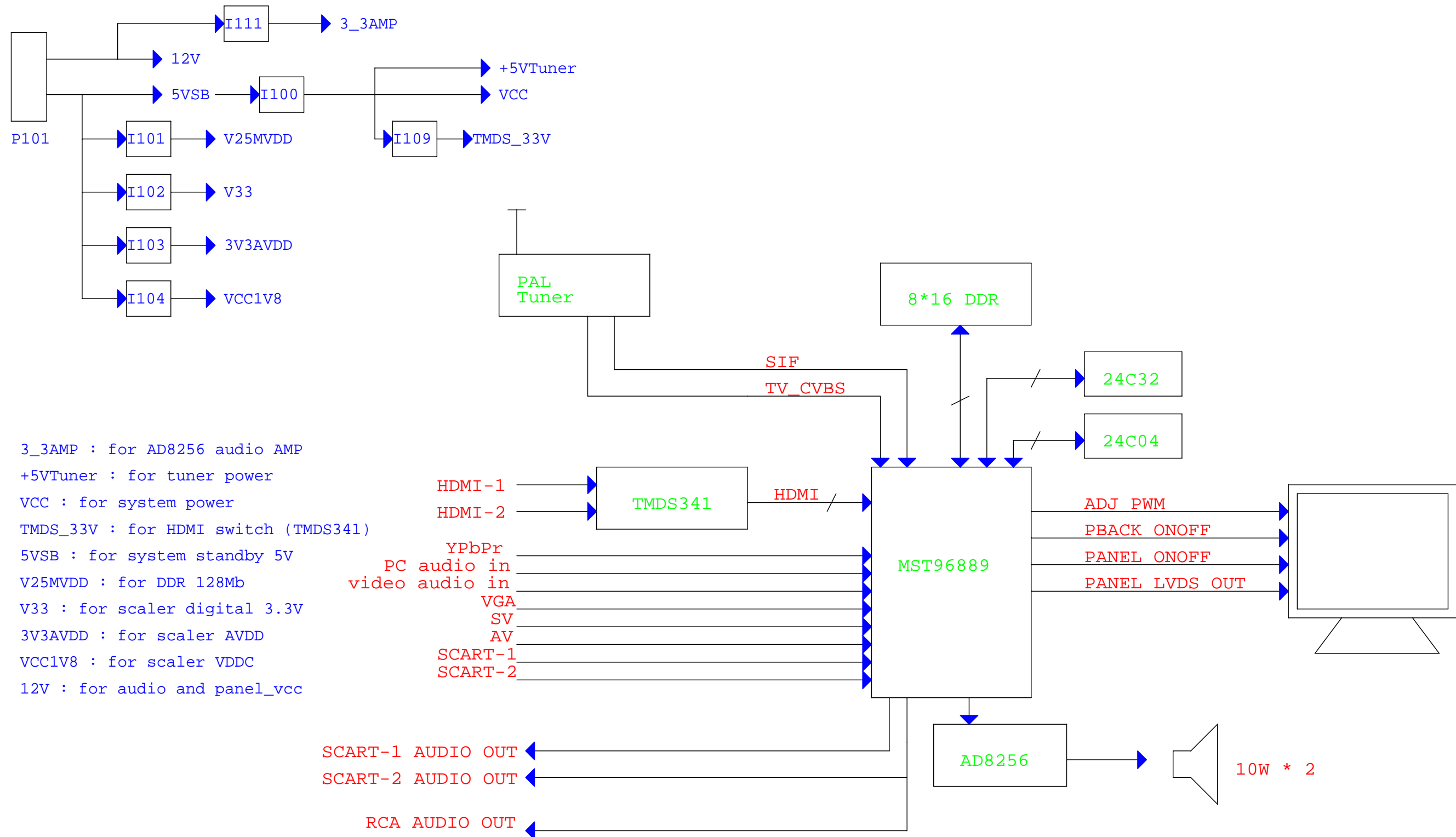
6.2. NO VOICE



6.3. NO DISPLAY

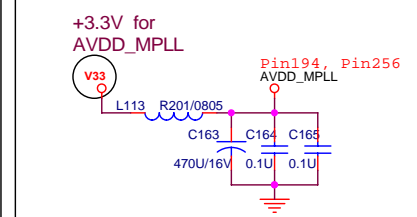
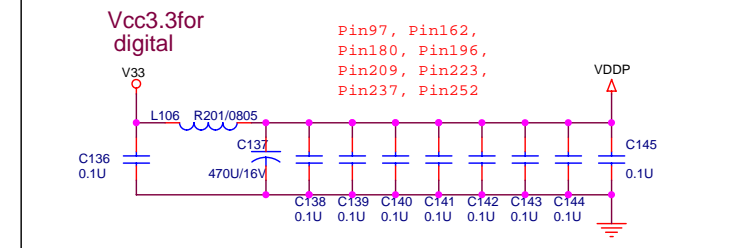
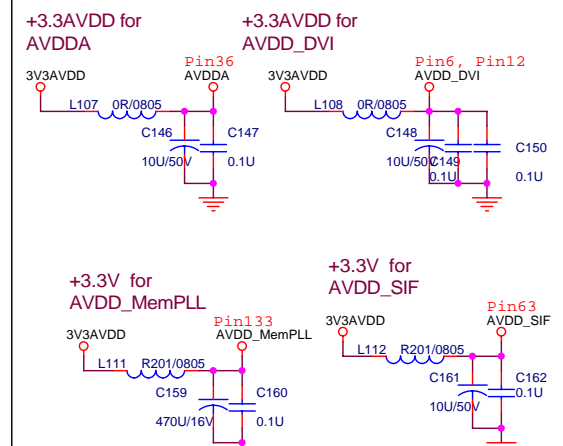
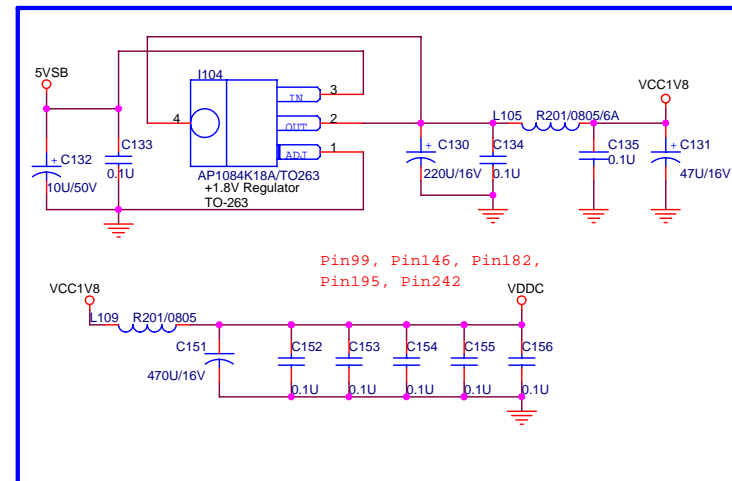
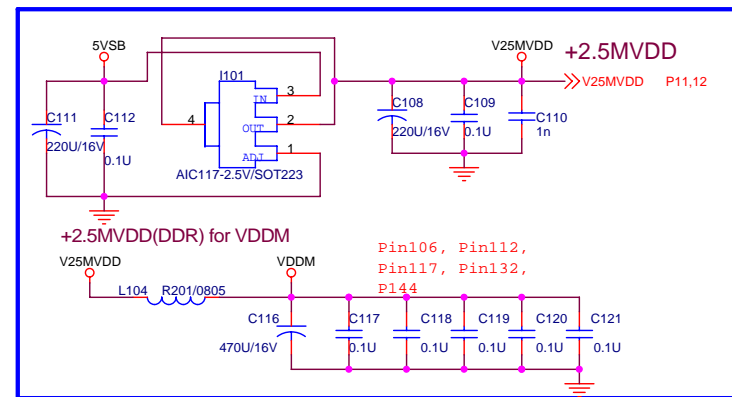
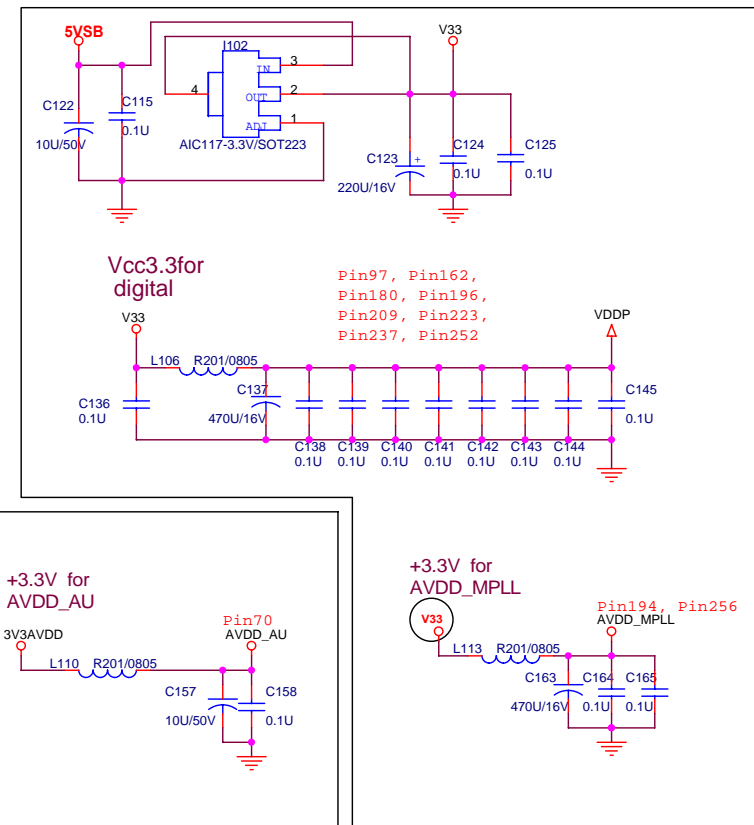
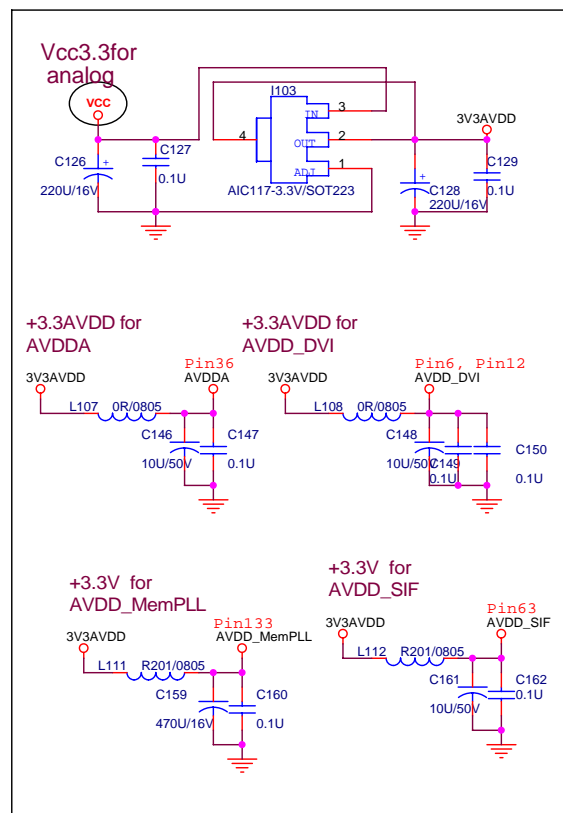
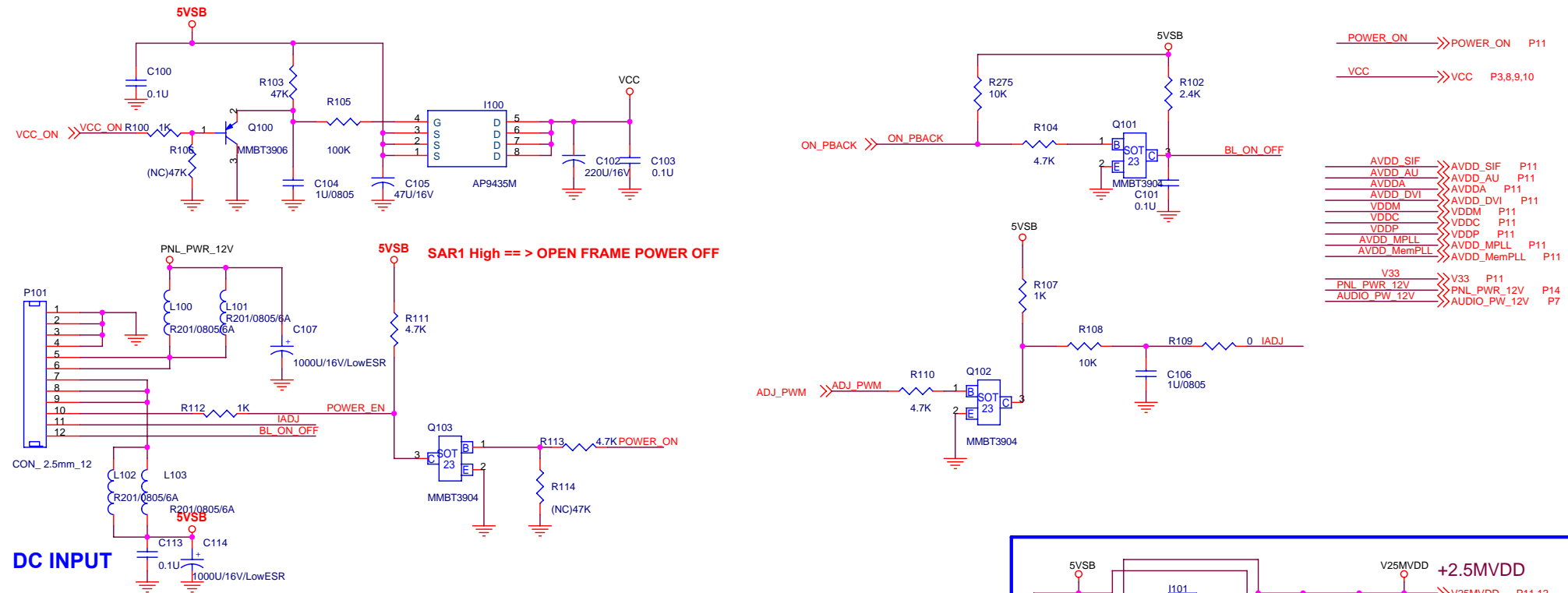


7. Block Diagram



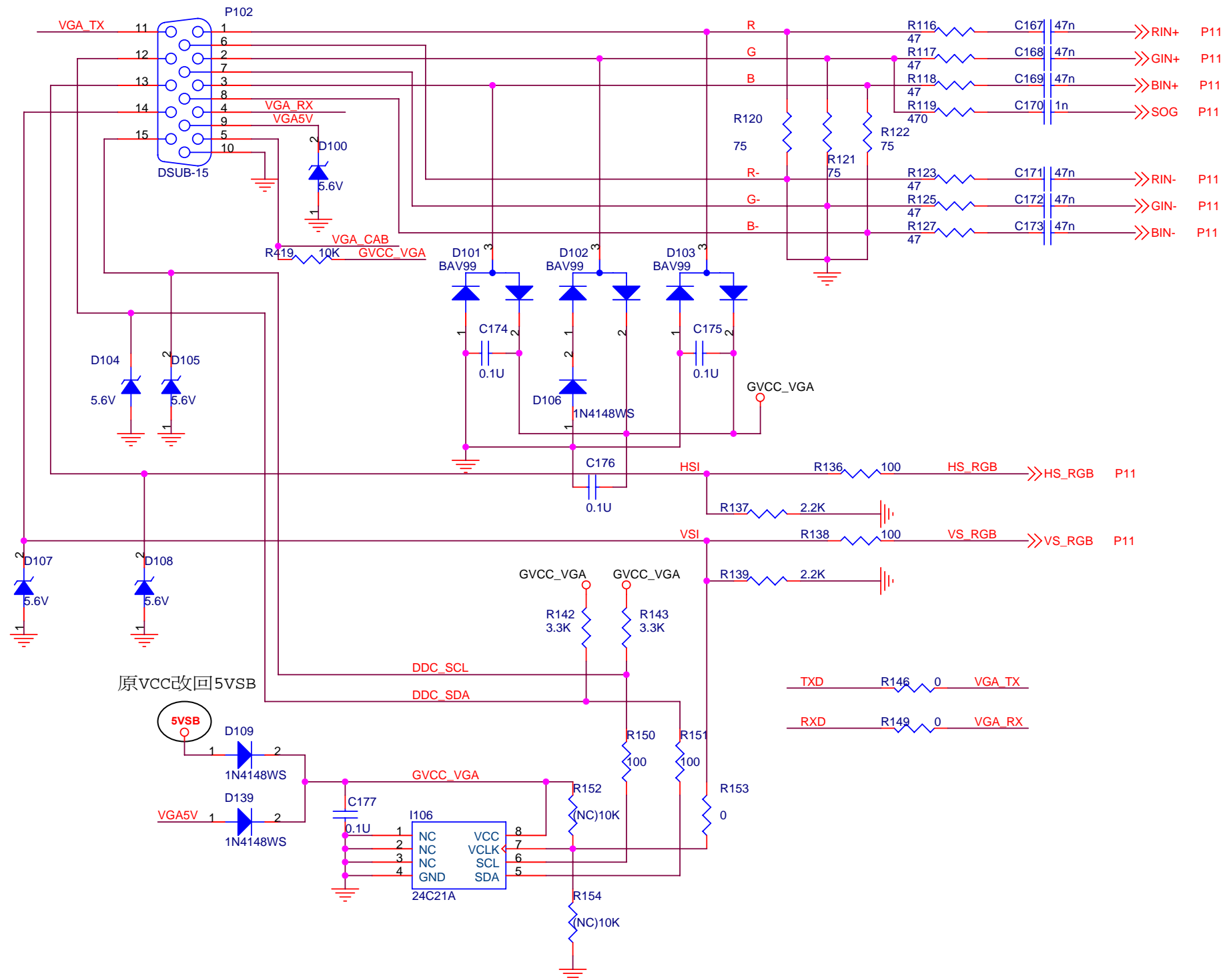
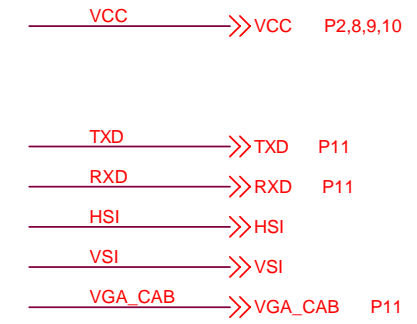
8. Schematic Diagrams

8.1. DC POWER

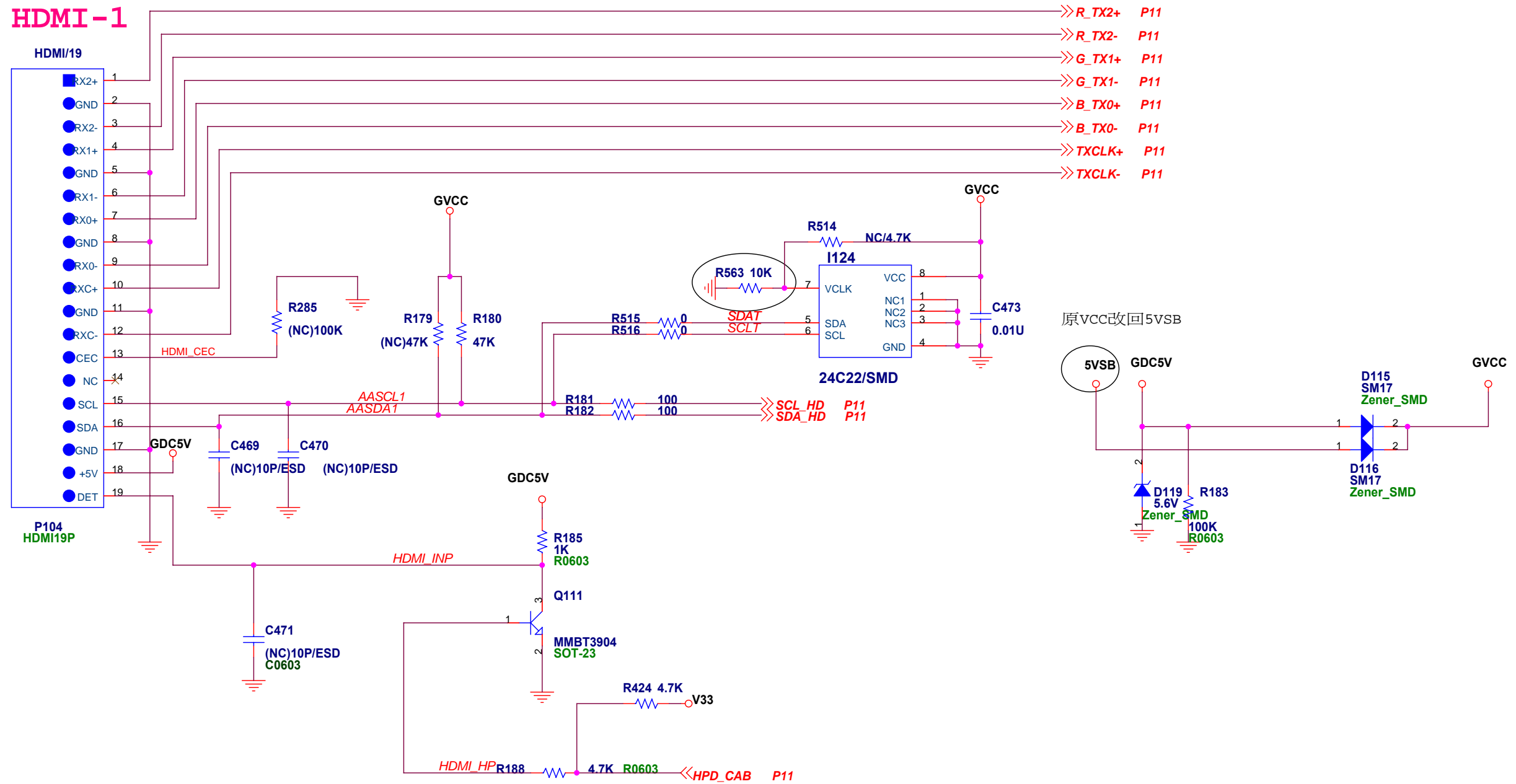


JEAN JC328RV14U/C

03.VGA Interface

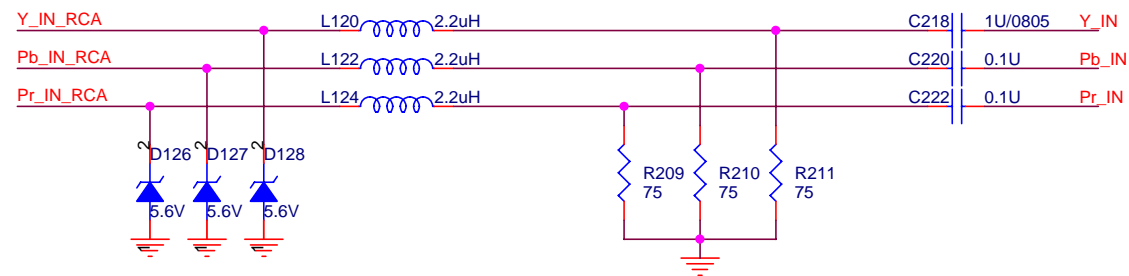
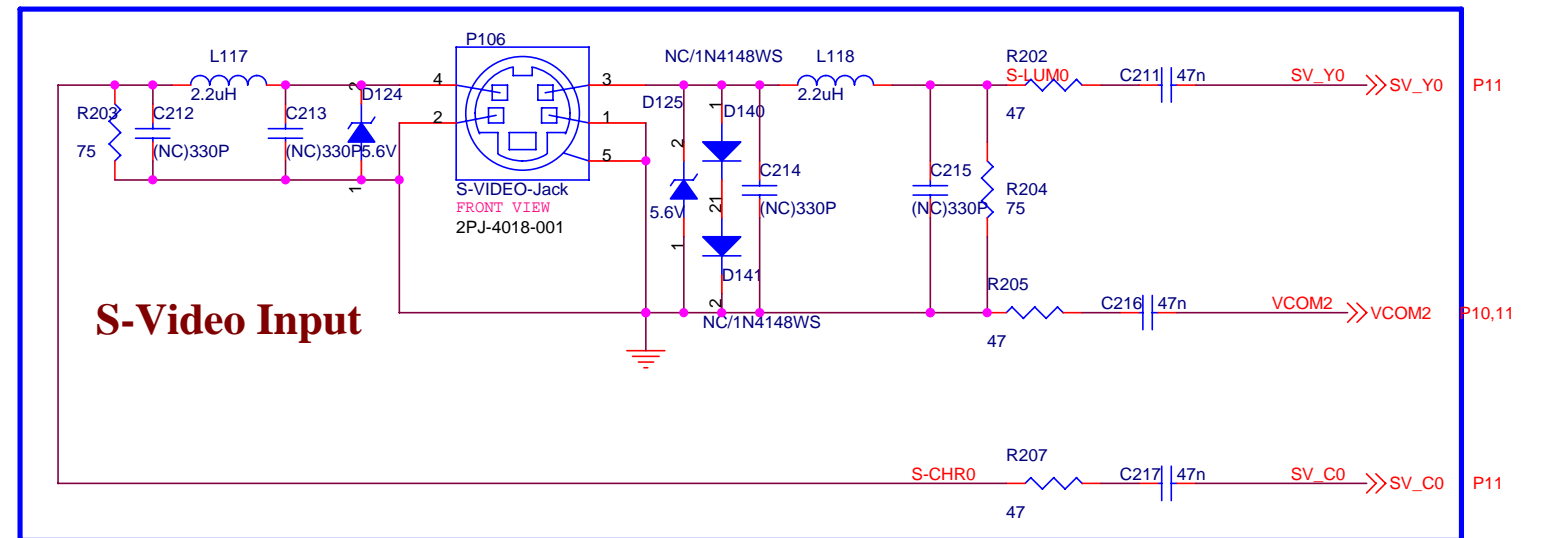
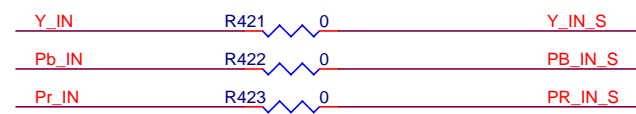
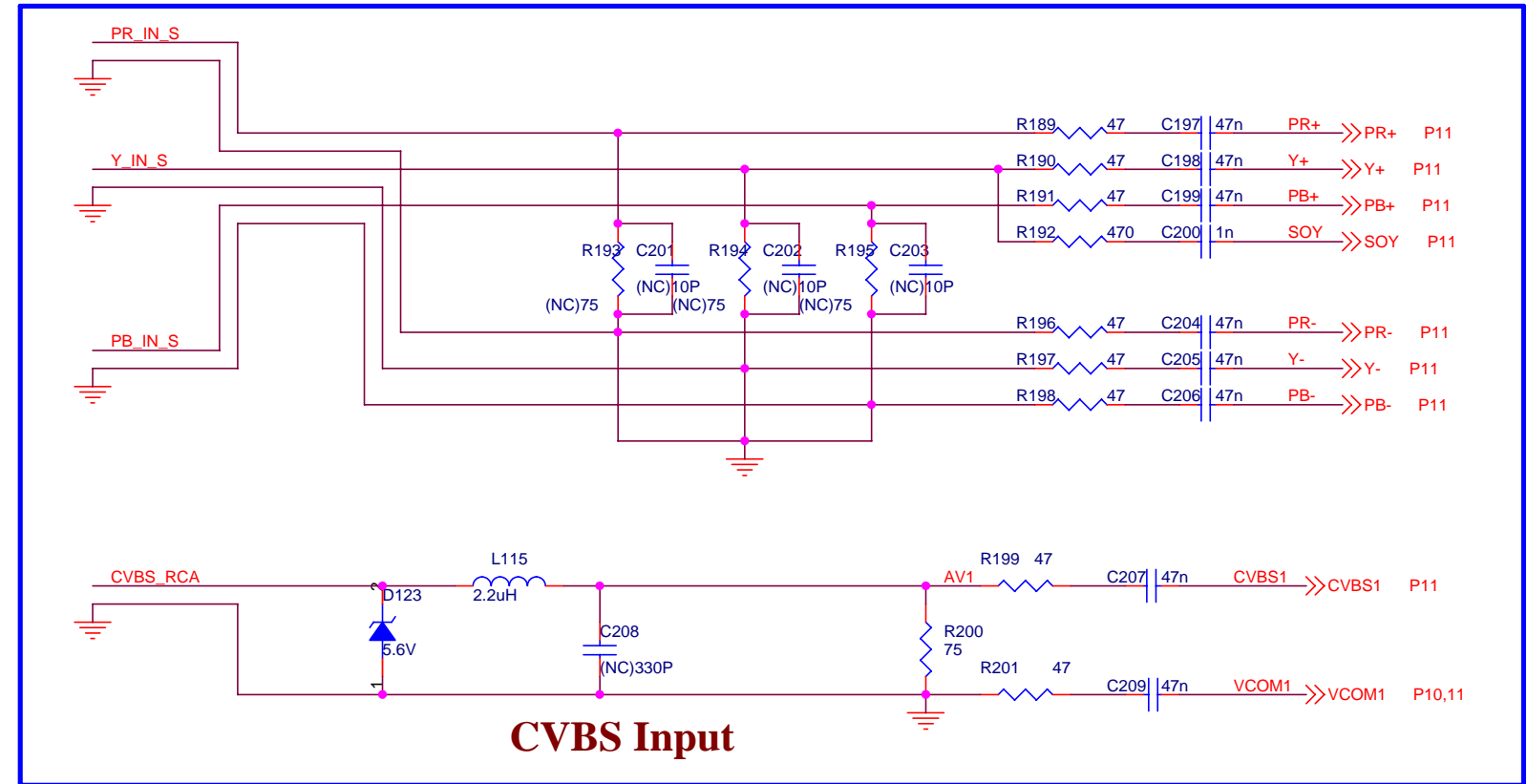
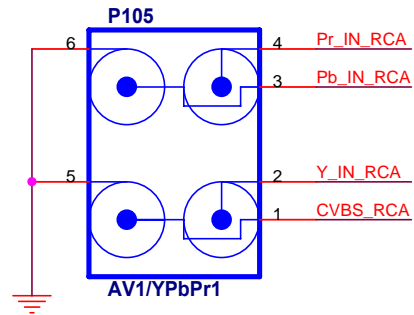


04.HDMI INPUT



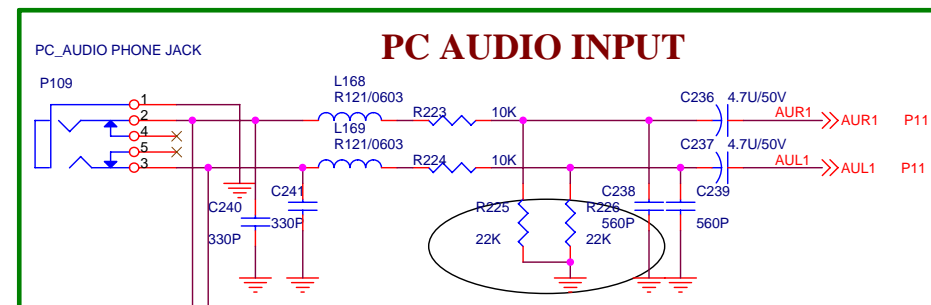
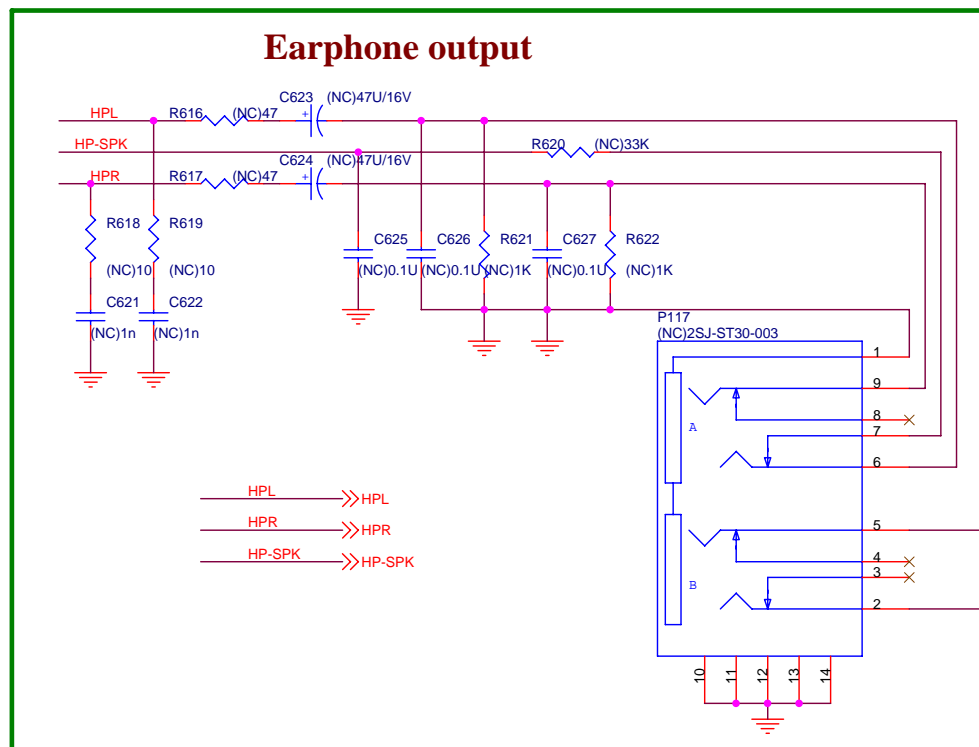
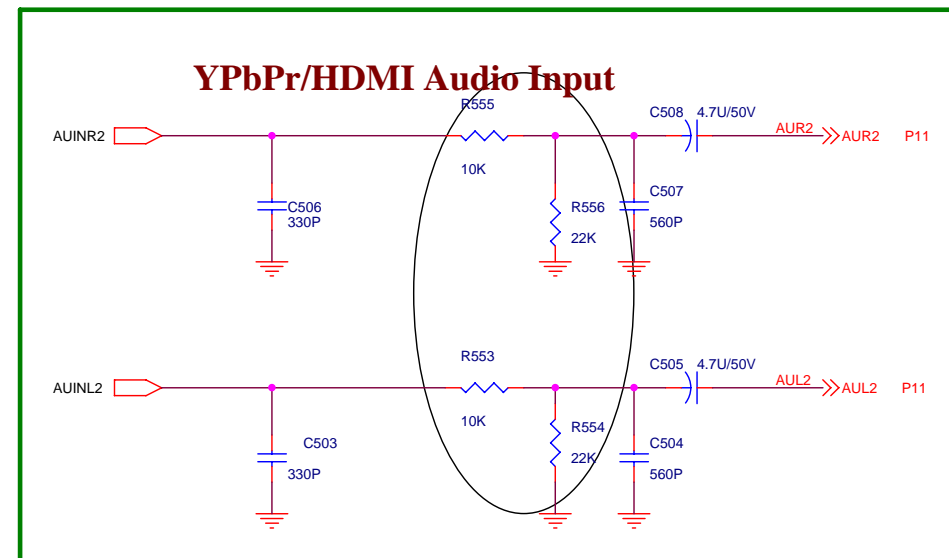
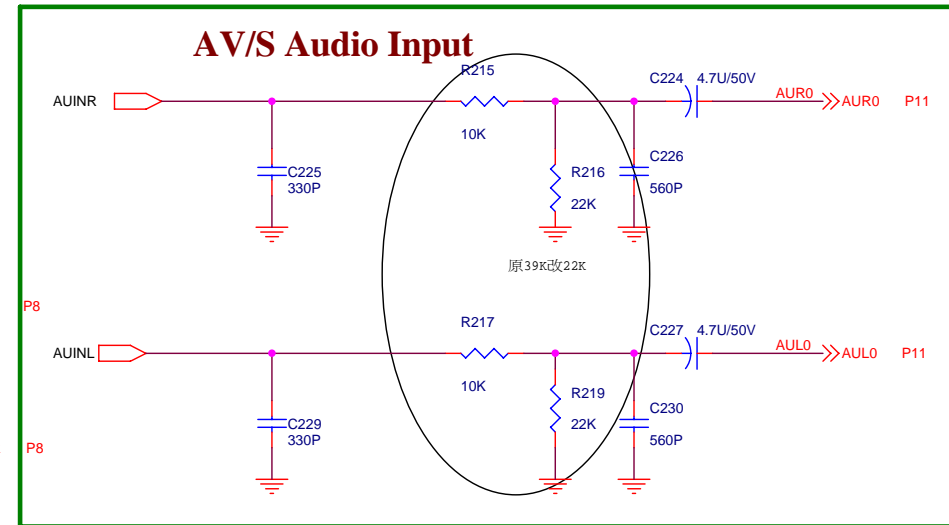
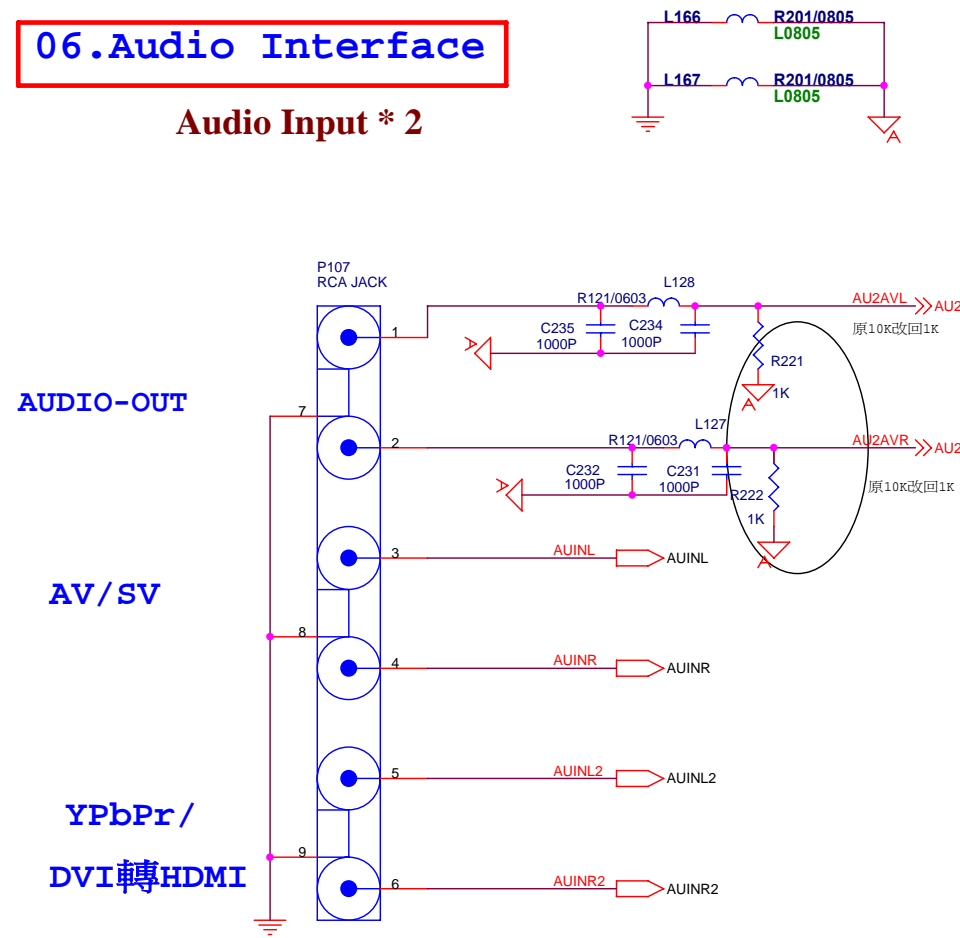
8.4. YPbPr Interface

05.YPbPr Interface

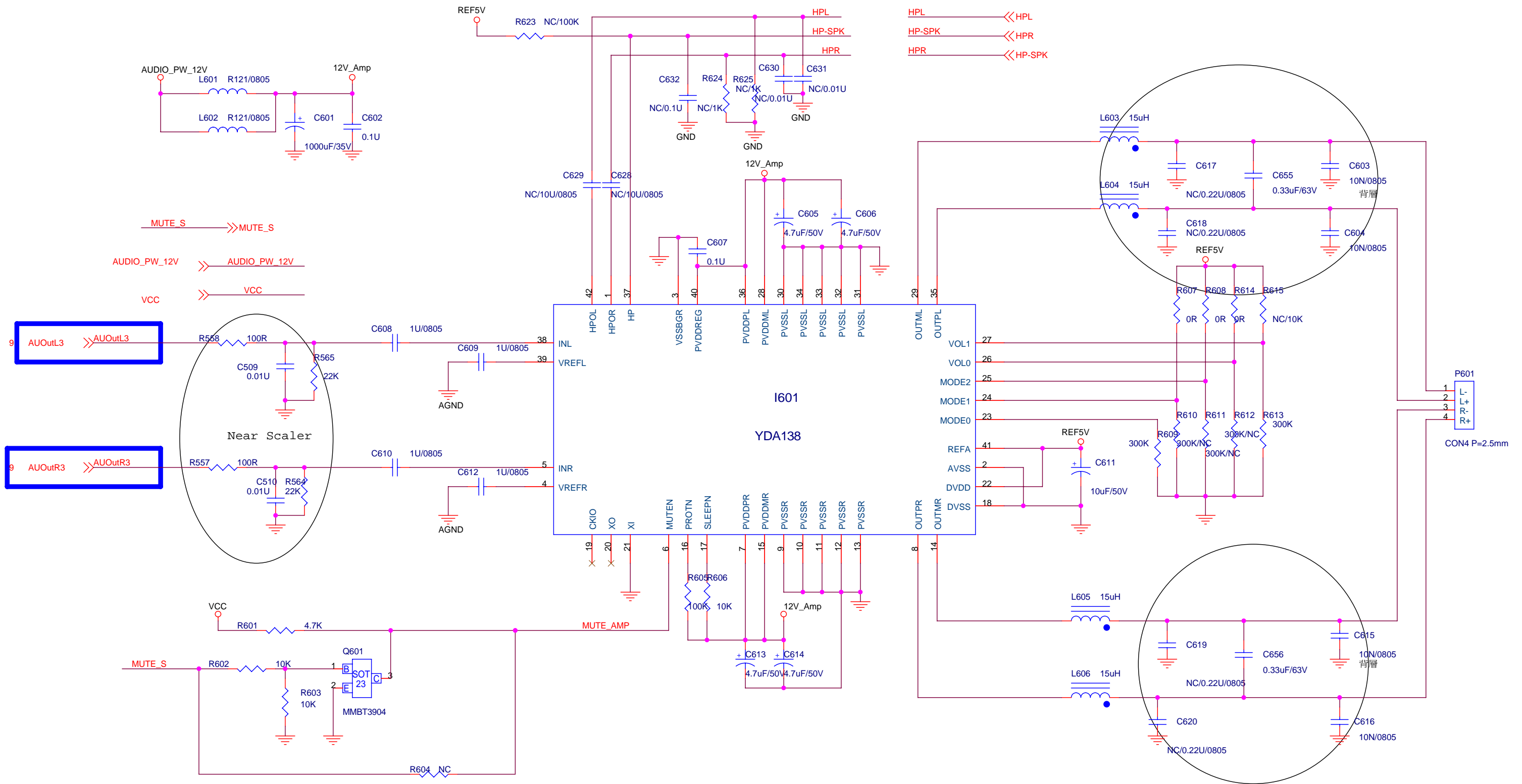


06. Audio Interface

Audio Input * 2



8.6. Audio AMP YDA138

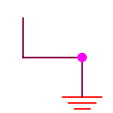
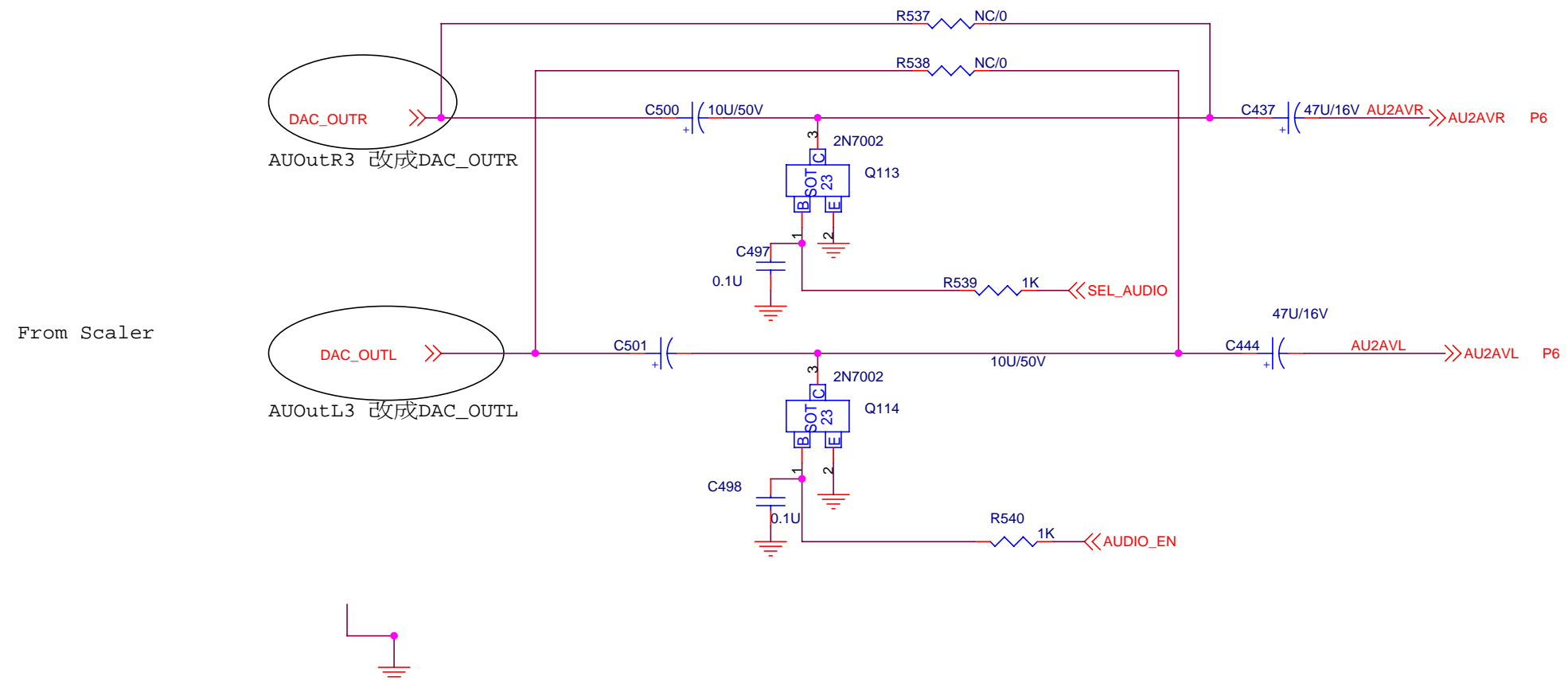
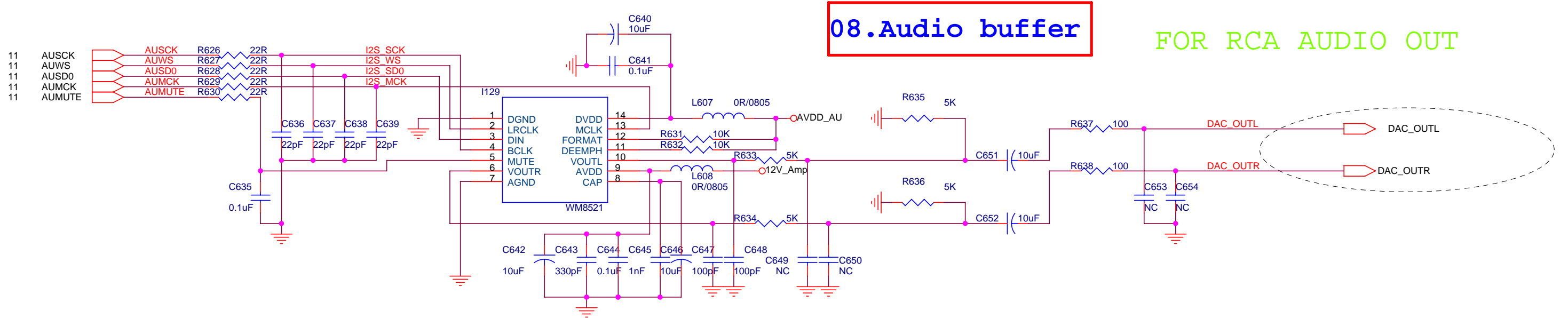


HPL <<< HPL
 HP-SPK <<< HPR
 HPR <<< HP-SPK

P601
 1 L-
 2 L+
 3 R-
 4 R+
 CON4 P=2.5mm

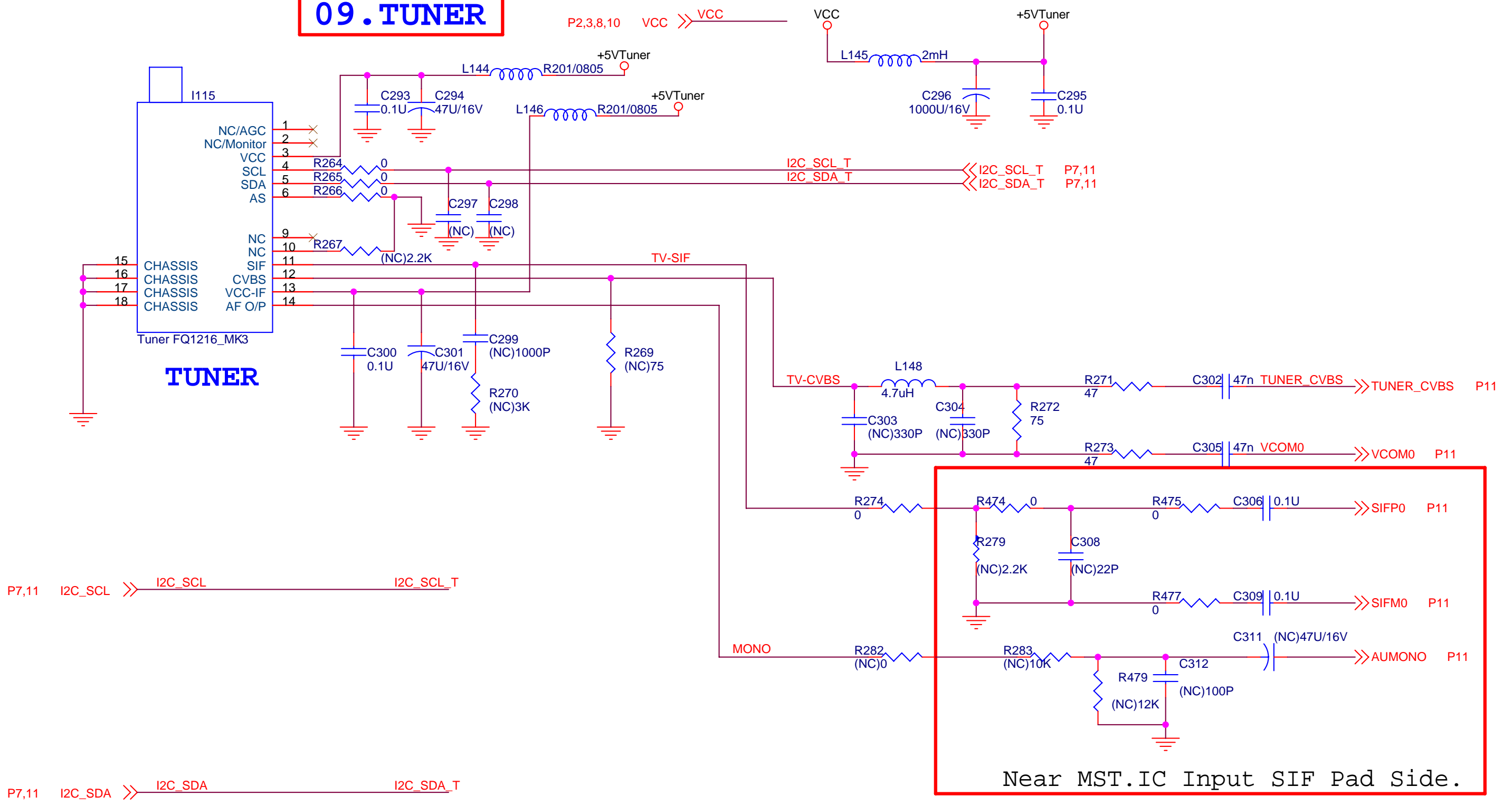
8.7. Audio buffer

Audio Line Output

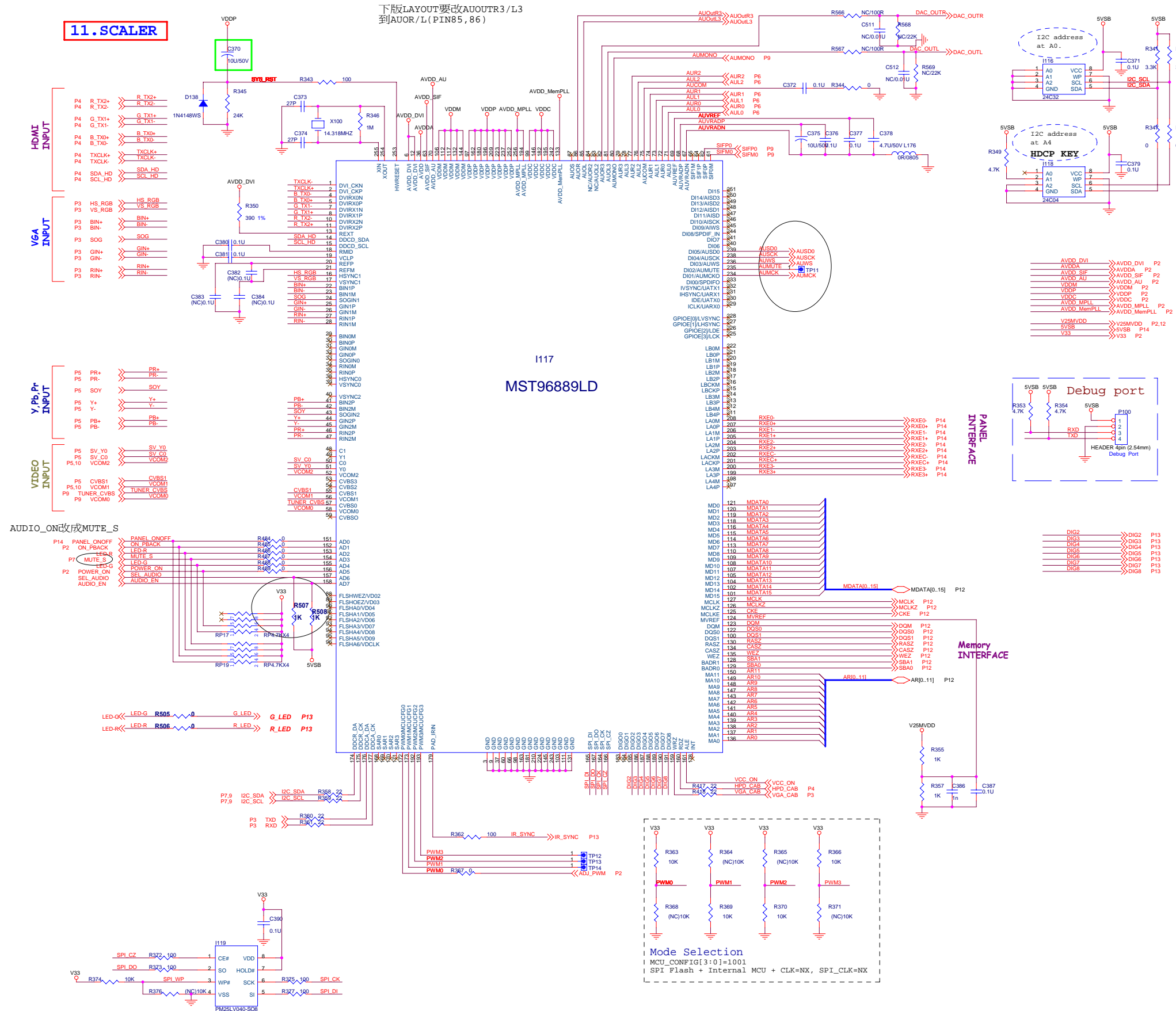


8.8. TUNER

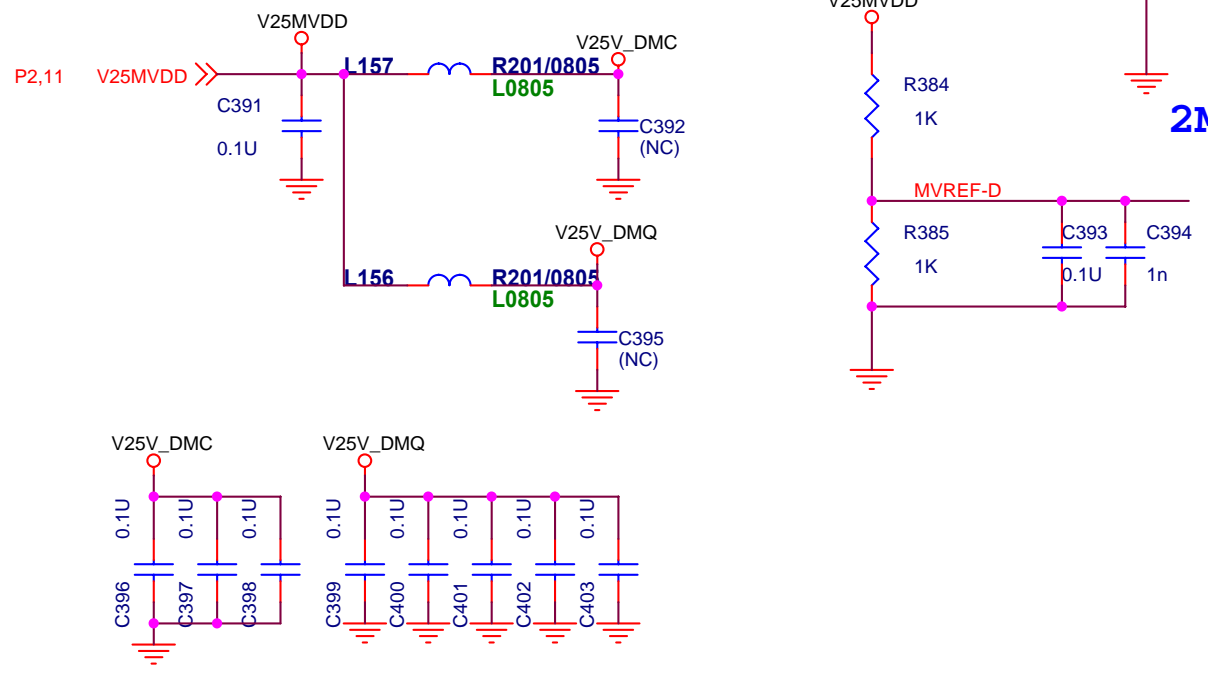
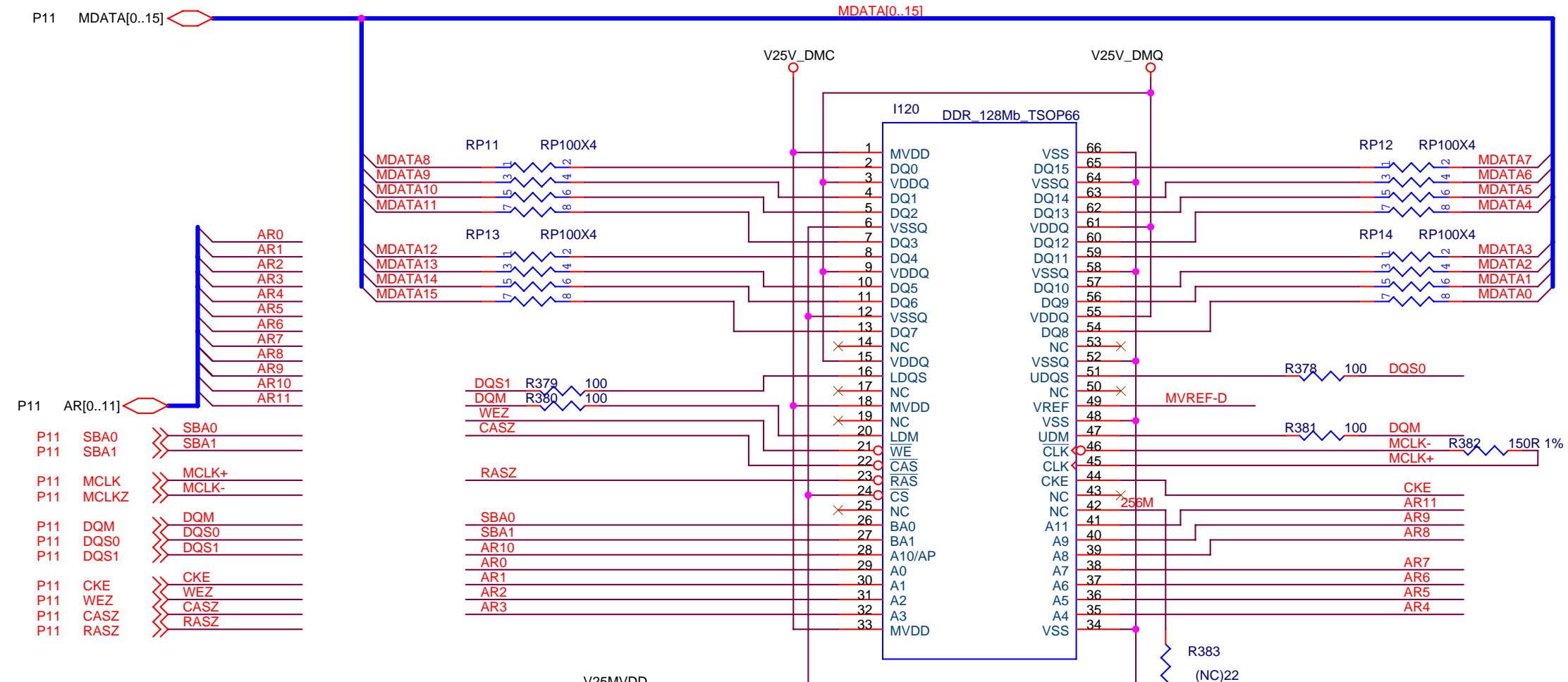
09. TUNER



8.9. SCALER



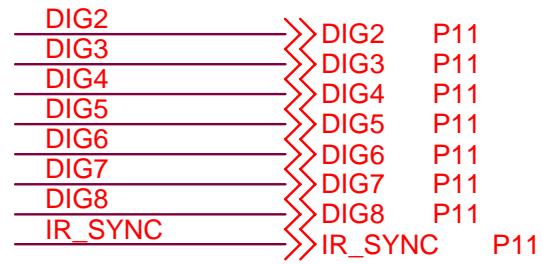
12. DDR SDRAM



2M X 16bit X 4BK

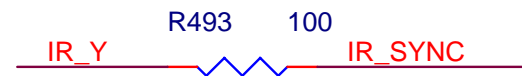
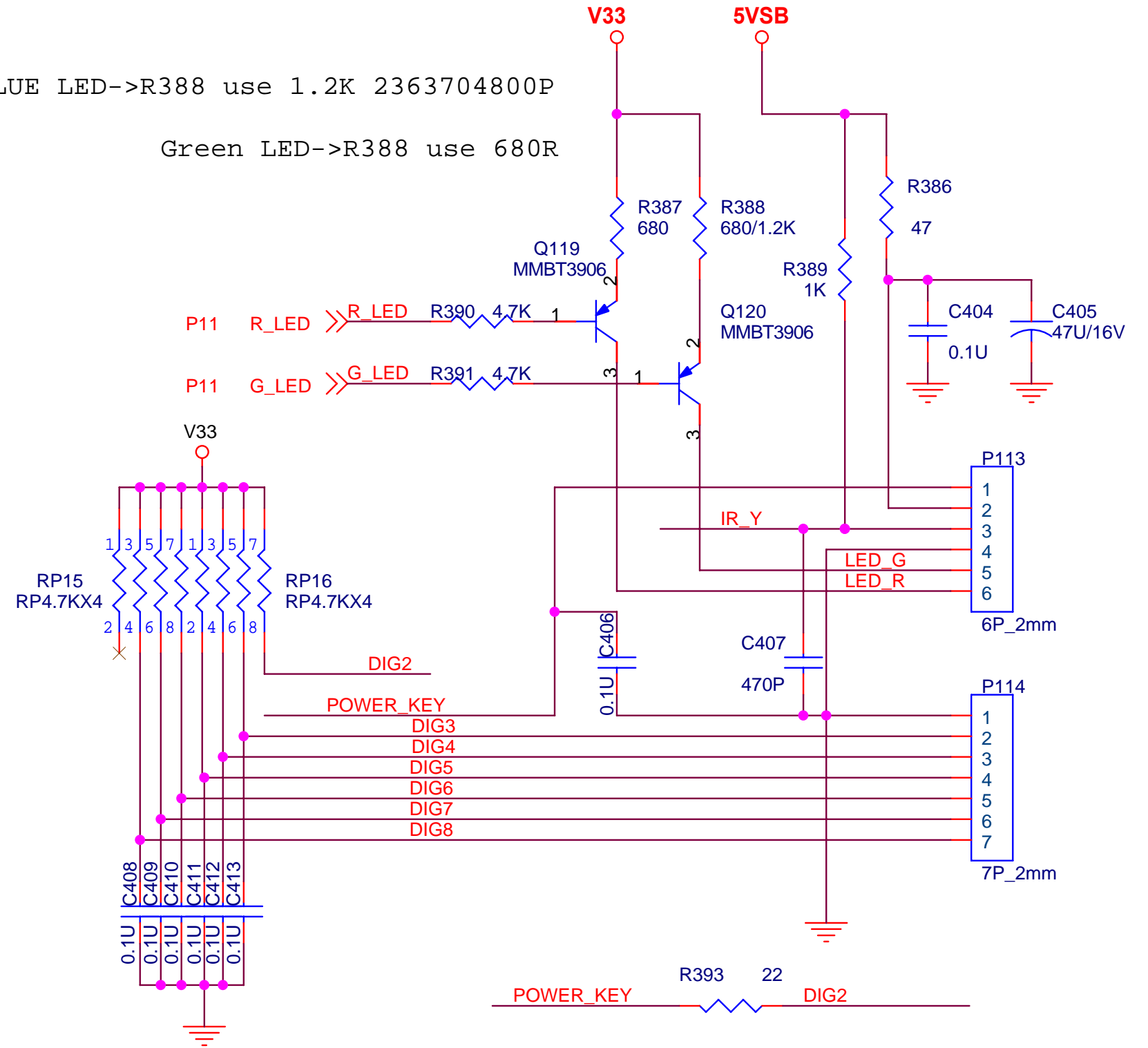
- HYNIX HY5DU281622ET-5-200MHZ 8x16-2.5V
- MOSEL V58C2128164SAT?-200MHZ 8x16-2.5V
- HYNIX HY5DU561622CT-?-200MHZ 8x16X2-2.5V

13. IR&KEYPAD

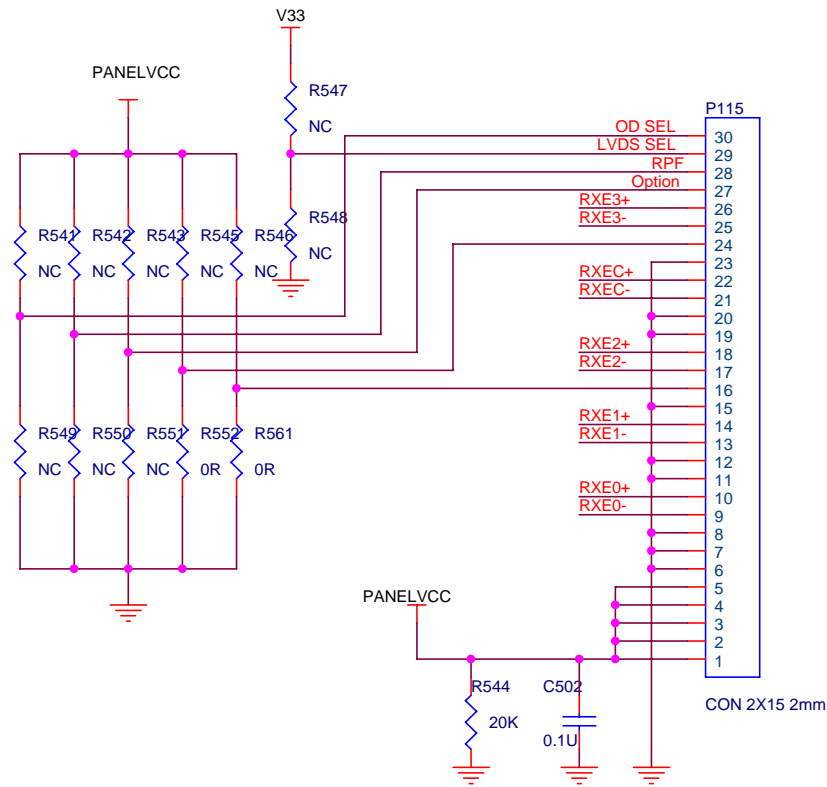


BLUE LED->R388 use 1.2K 2363704800P

Green LED->R388 use 680R

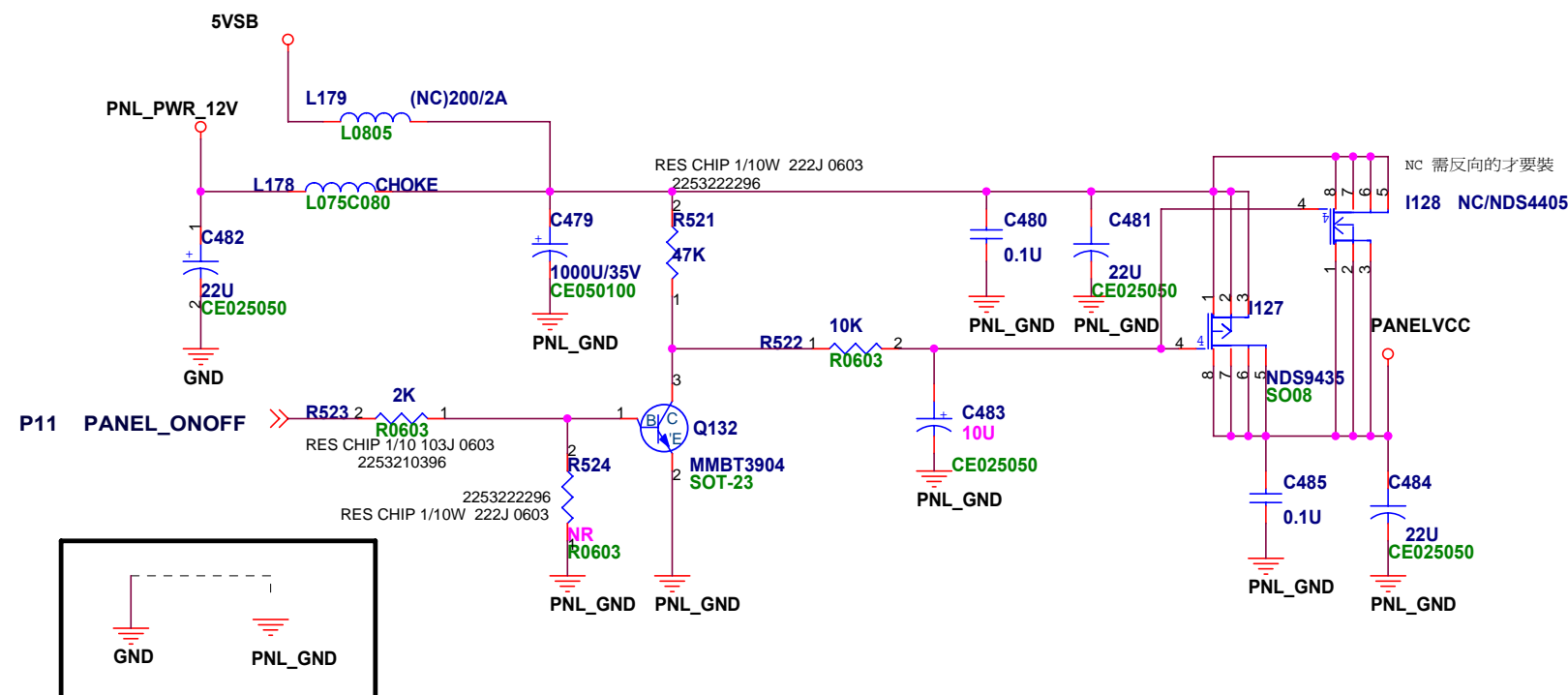


8.12. PANEL Interface



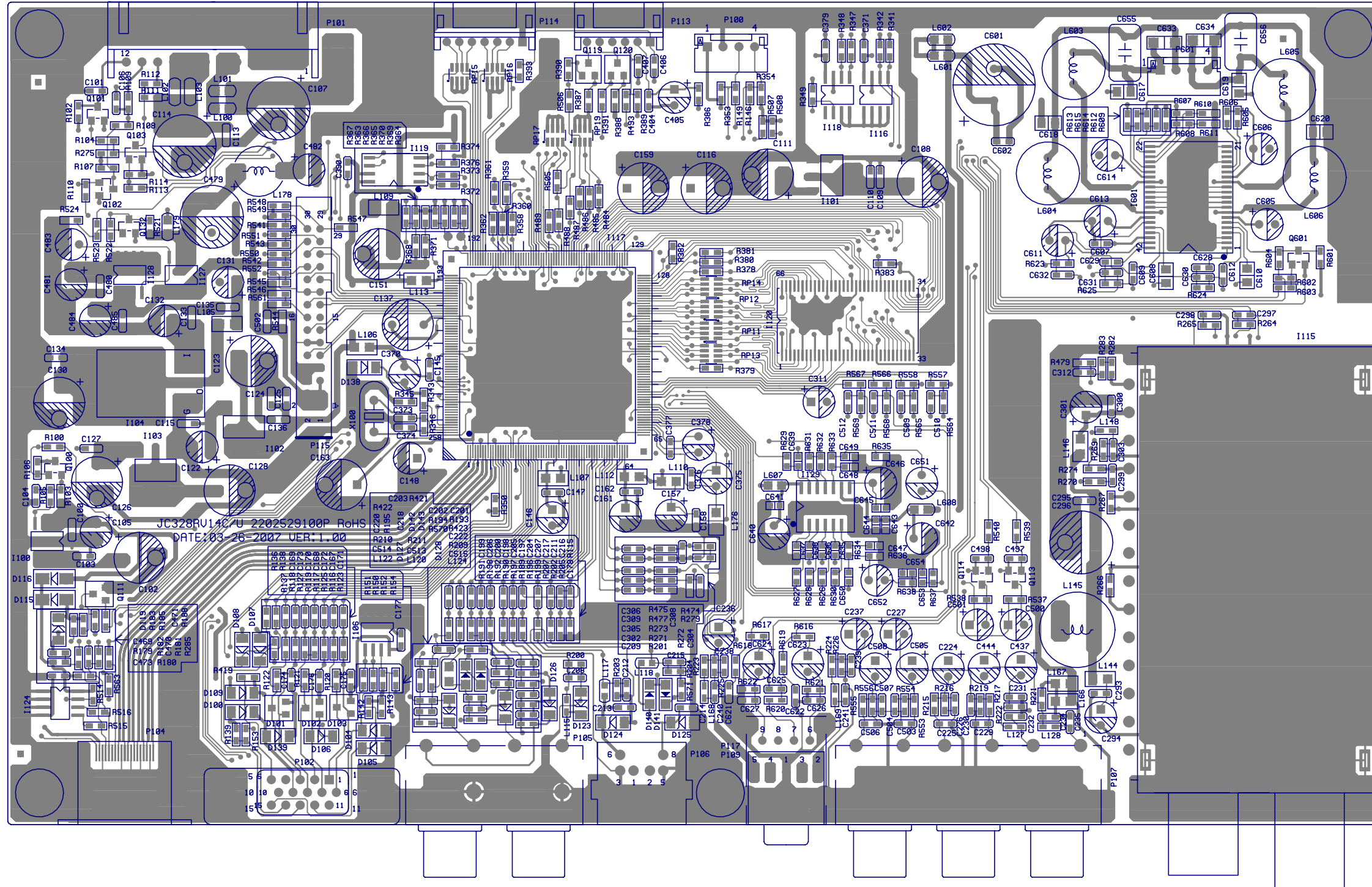
R549 0R for PAL, R549 NC for NTSC

	CPT 32"			
L178	BEAD	BEAD	BEAD	NC
L179	NC	NC	NC	BEAD
R541	NC	0	NC	0
R542	NC	NC	NC	0
R543	NC	NC	0	0
R545	NC	NC	0	0
R546	NC	NC	NC	NC
R547	NC	NC	NC	NC
R548	NC	NC	NC	NC
R549	NC	NC	NC	NC
R550	NC	0	NC	NC
R551	NC			
R552	0			
R561	0			

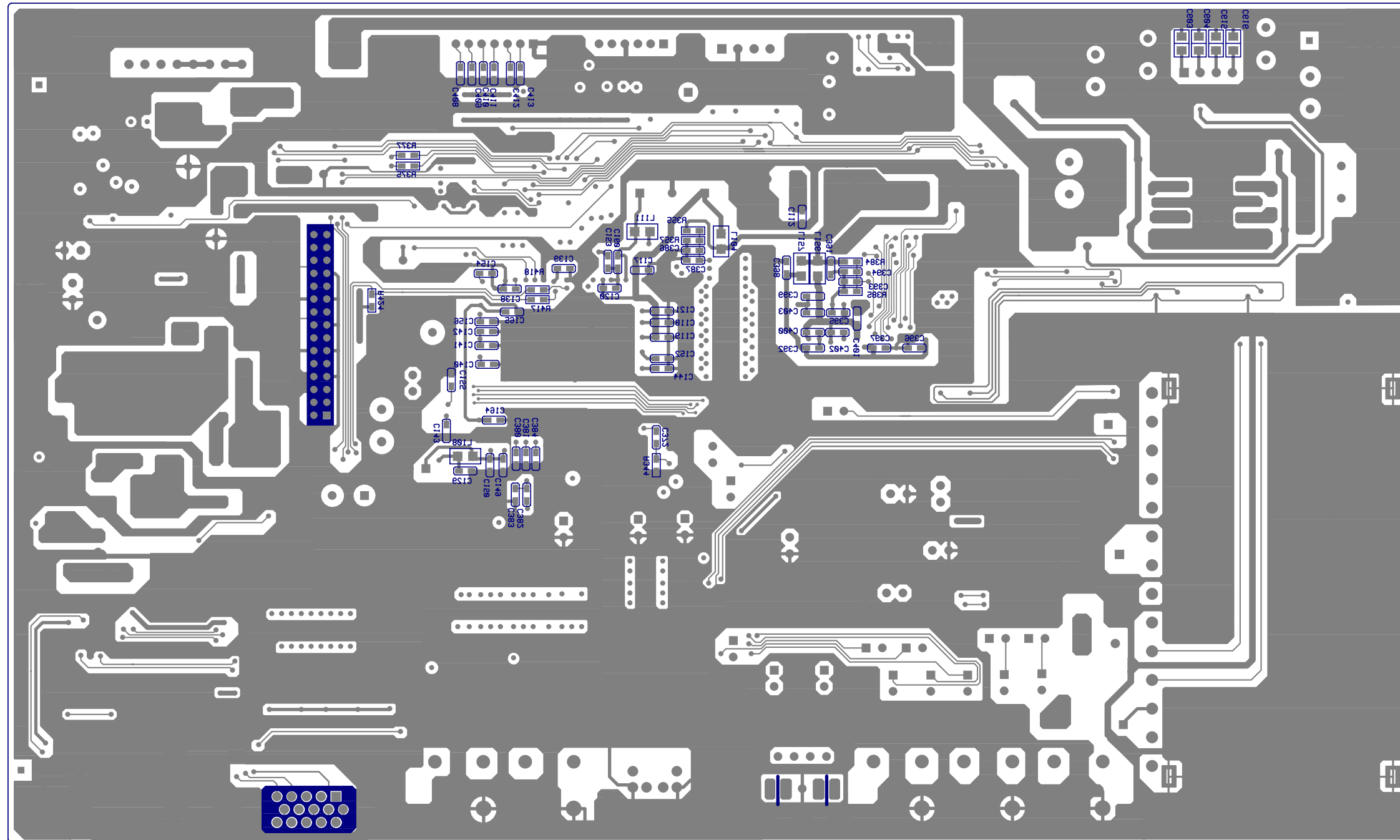


9. PCB Layout Diagrams

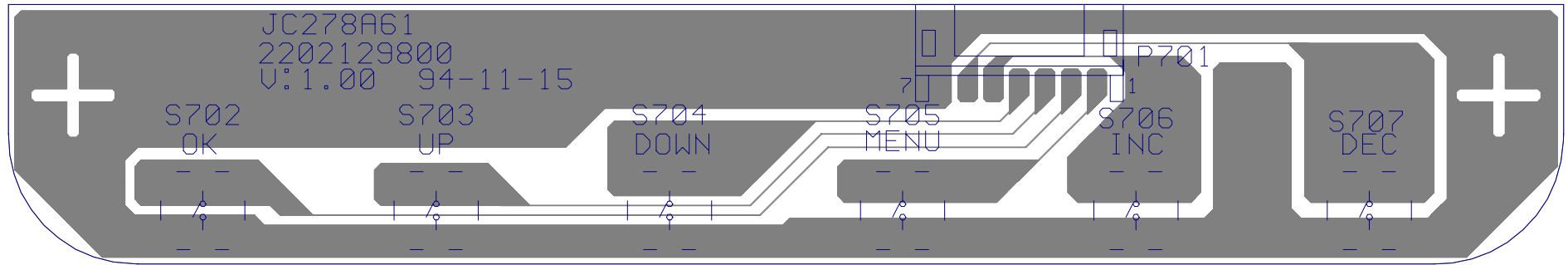
9.1. MAIN PCB TOP VIEW



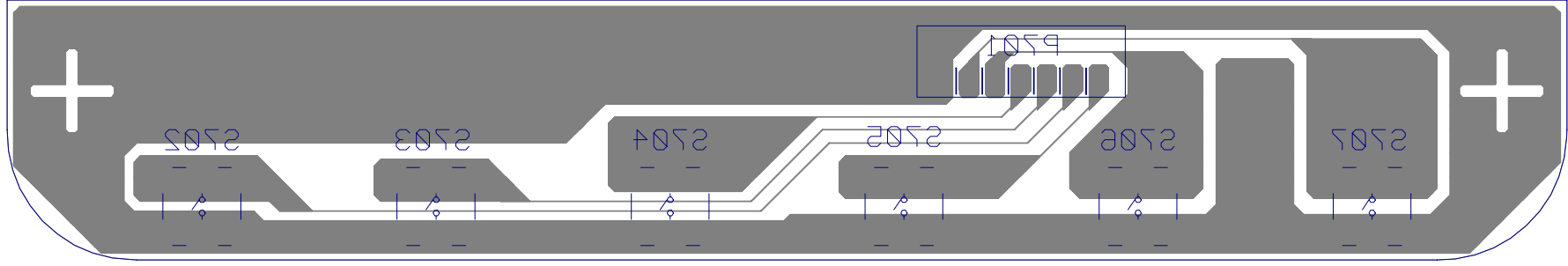
9.2. MAIN PCB BOTTOM VIEW



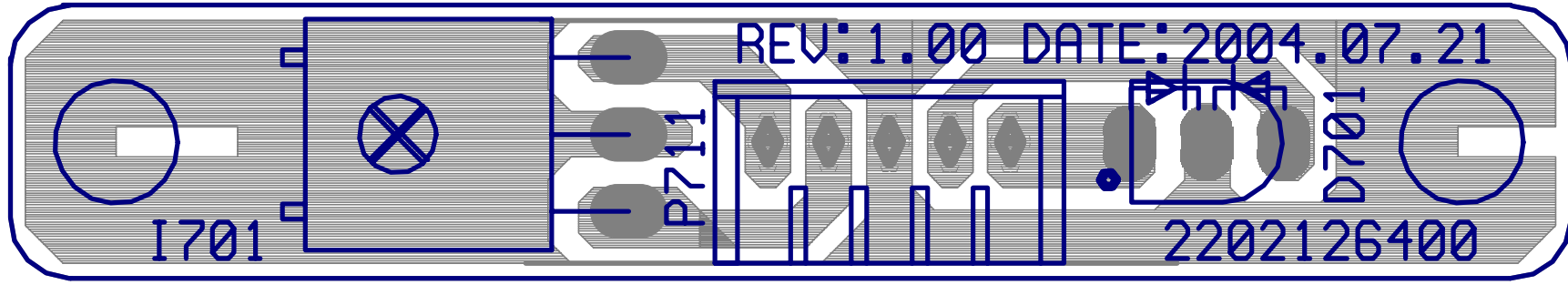
9.3. CON PCB TOP VIEW



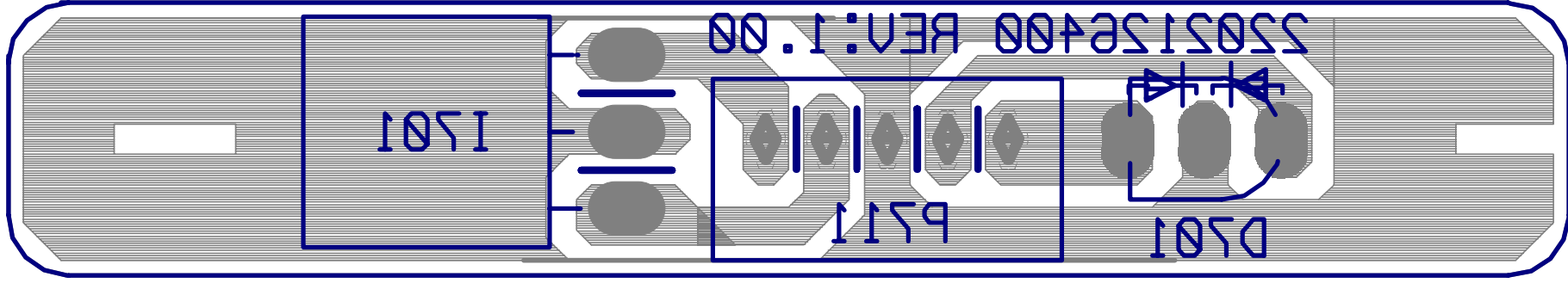
9.4. CON PCB BOTTOM VIEW



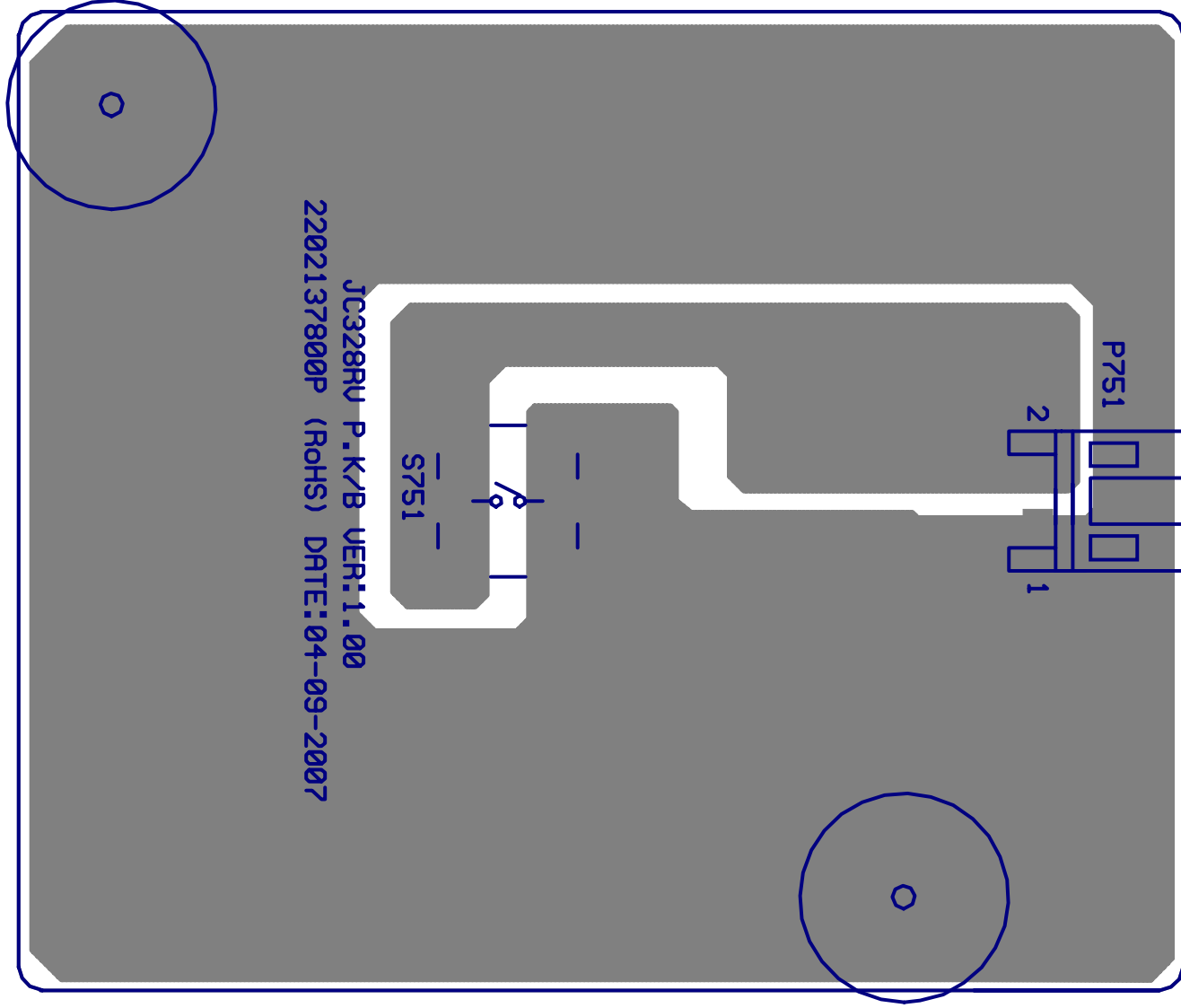
9.5. IR PCB TOP VIEW



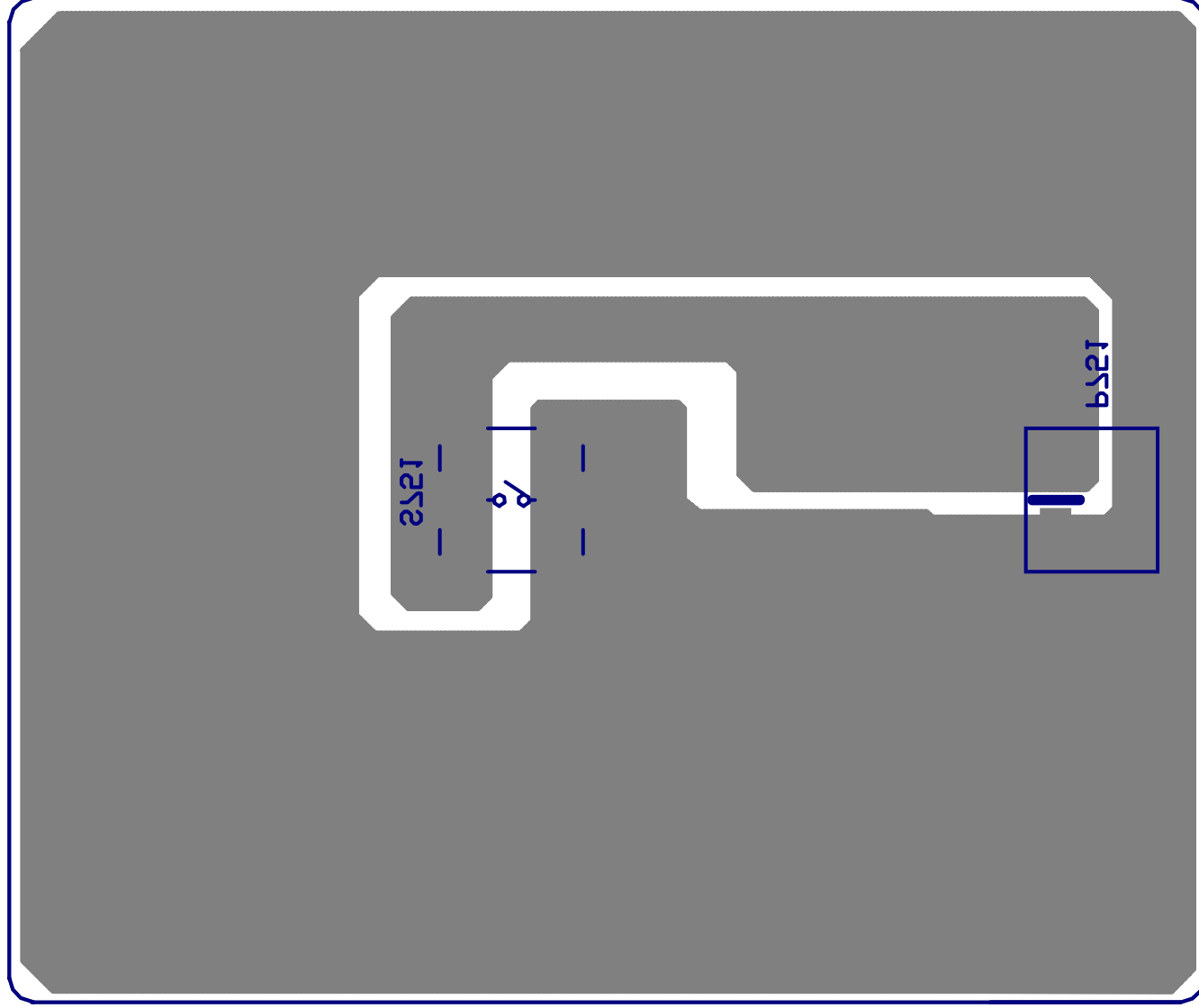
9.6. IR PCB BOTTOM VIEW



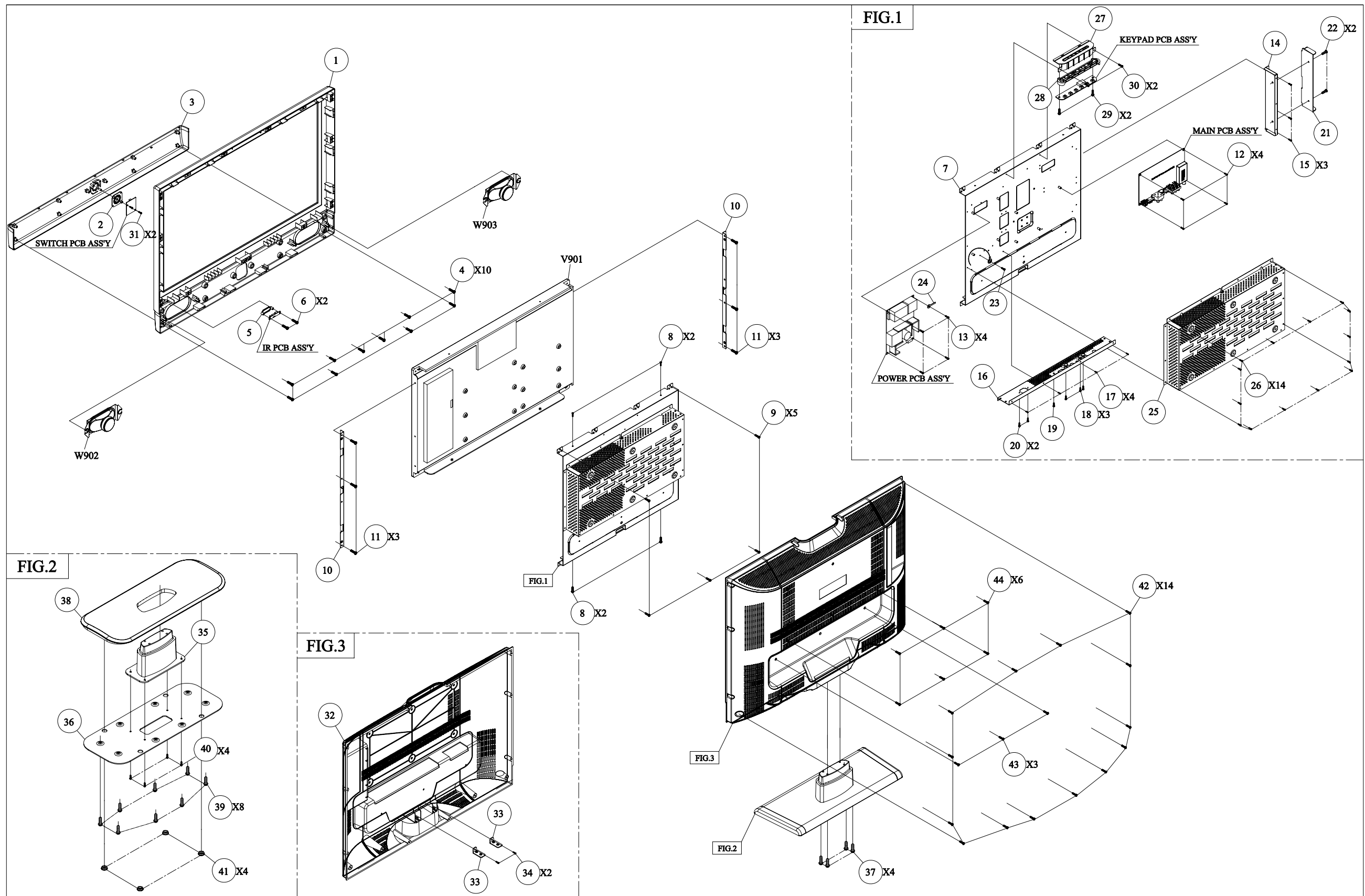
9.7. P-BUTTON PCB TOP VIEW

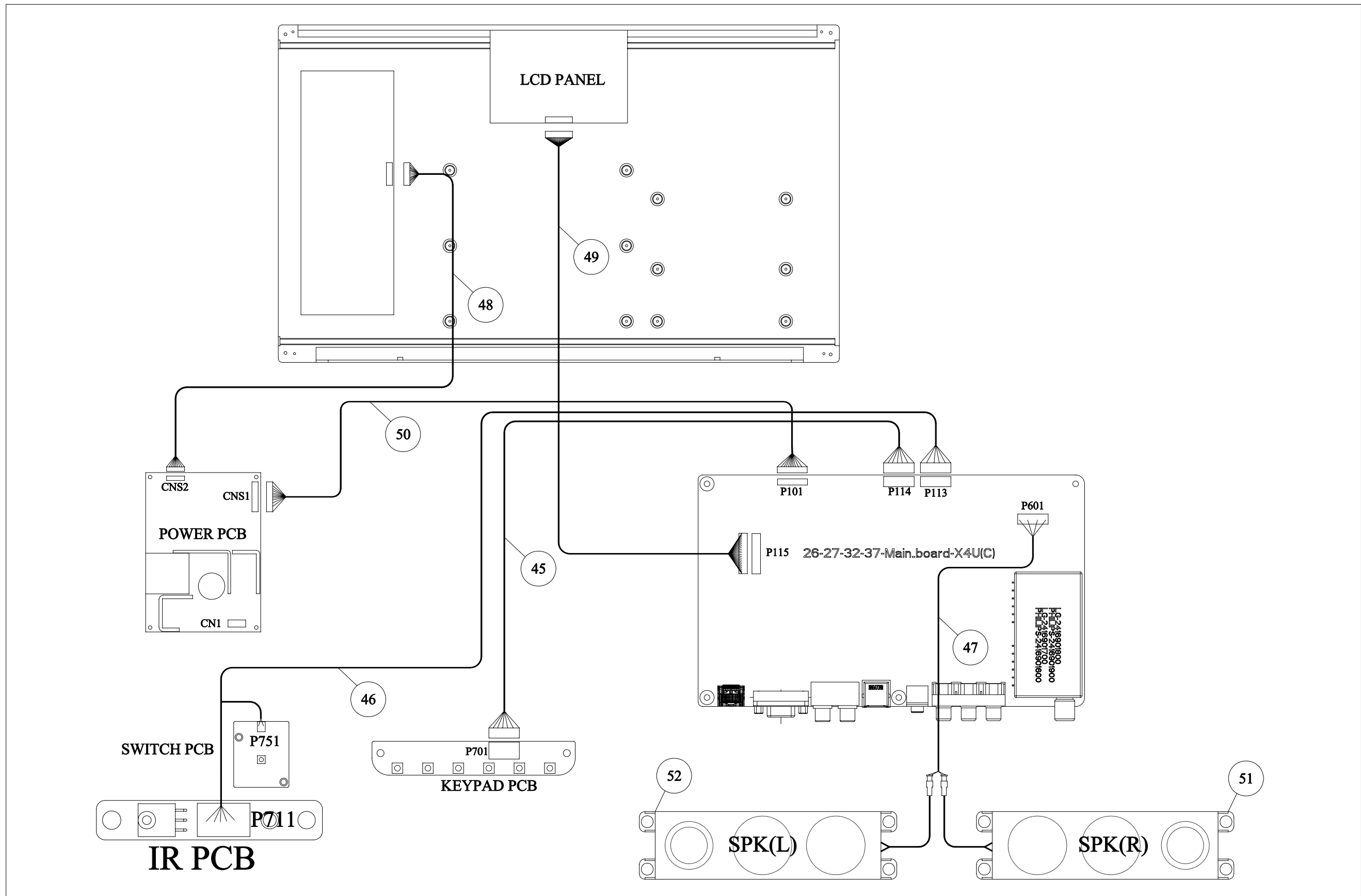


9.8. P-BUTTON PCB BOTTOM VIEW



10. Exploded View And Exploded Parts List





EXPLODED PARTS LIST (N3250wb-1)

ViewSonic Model Number: VS11752-1G

Rev: 1a

Serial No. Prefix: QMX

Item	ViewSonic P/N	Ref. P/N	Description		Q'ty
1	N/A	2024278003P	FRONT BEZEL	32R ABS HB G.L BLACK	1
2	N/A	2033152200P	IR COVER	32R GE-LExAN 121R-BR2DO52T(426C)	1
3	N/A	2032202502P	GRILL	32V ABS HB BLACK 4001C	1
4	N/A	2080006900P	SCREW SPE	M4*10MM P TYPE:9.1MM	10
5	N/A	2044272801P	FUNCTION KEY	32V POWER KEY ABS HB AL-PLATE	1
6	M-SCW-0824-0285	2084730082P	SCREW BND T+	M3X8(BND T+)	2
7	N/A	2071986000P	METAL FITTG	32R SECC T=1.0mm (1/6/7-4U/C)	1
8	N/A	2082740082P	SCREW BND+	M4X8(BND+)	4
9	M-SCW-0824-0123	2084740102P	SCREW BND T+	M4X10(BND T+)	5
10	N/A	2071887400P	BRACKET FIX	32R PANEL R/L SECC T=1.0mm	2
11	N/A	2082740082P	SCREW BND+	M4X8(BND+)	6
12	M-SCW-0824-0811	2080003700P	SCREW SPE	ISZZTER001A M3*6L MSWR17/FZMYI	4
13	M-SCW-0824-0811	2080003700P	SCREW SPE	ISZZTER001A M3*6L MSWR17/FZMYI	4
14	N/A	2072050905P	METAL FITTG-I/O	32 SECC T=1.0mm (X4U/C)-RIGHT	1
15	N/A	2082630042P	SCREW	M3*4 P=0.5	3
16	N/A	2072050708P	METAL FITTG-I/O	32 SECC T=1.0mm (X4U/C)-DOWN	1
17	N/A	2082630042P	SCREW	M3*4 P=0.5	4
18	M-SCW-0824-0285	2084730082P	SCREW BND T+	M3X8(BND T+)	3
19	M-SCW-0824-6719	2082630062P	SCREW	M3X6 P=0.5	1
20	N/A	2080004900P	SCREW SPE	M3*8 T24 F NI	2
21	C-00008476	2027269601P	DUST COVER	JC32R HB BLACK C (X4U/C)IO SIDE COVER_RIGHT	1
22	N/A	2083630068P	SCREW FMS+	M3X6,M,S-TITE,F,ZN	2
23	N/A	2080040062P	SCREW SPE	M4*8 PMS-3/W	1
24	HW-00008057	2071800300P	BRACKET FIX	62*8*3.4 T=0.5MM WITH PVC TUBE	1
25	N/A	2071972400P	METAL FITTG	SECC T=1.0MM VESA SUPPORT	1
26	N/A	2082630042P	SCREW	M3*4 P=0.5	14
27	C-00008475	2027268801P	DUST COVER	32R 6KEY ABS HB BLACK(MT11010)	1
28	N/A	2044272401P	FUNCTION KEY	32R 6KEY HB AL-PLATE	1
29	M-SCW-0824-0285	2084730082P	SCREW BND T+	M3X8(BND T+)	2
30	M-SCW-0824-6719	2082630062P	SCREW	M3X6 P=0.5	2
31	M-SCW-0824-0285	2084730082P	SCREW BND T+	M3X8(BND T+)	2
32	N/A	2022273102P	CABI BACK	32R ABS HB BLACK (X4U/C)	1
33	N/A	2071887500P	BRACKET FIX	32R ARM-BRACKET SECC T=2.0mm	2
34	M-SCW-0824-0812	2084730062P	SCREW BND T+	M3X6(BND T+)	2
35	HW-00008151	2028557202P	NECK	ABS 94HB BLACK	1
36	N/A	2071875400P	BRACKET FIX	JC268FE SECC T=1.2mm STAND	1
37	HW-00008152	2083740122P	SCREW BND T+	SCREW,BND T+ M4*12 (BND T+)	4
38	PL-00008143	2028260102P	STAND	26E ABS 94HB BLACK C	1
39	HW-00008160	2084740082P	SCREW BND T+	M4X8(BND T+)	8
40	N/A	2082750402P	SCREW BND+	M5X40,M,P,ZN-CC	4
41	N/A	2039802304P	FOOT PAD	CR φ 16.5X7.3/BLACK	4
42	N/A	2084740104P	SCREW BND T+	M4X10(BND T+) (BLK)	14
43	N/A	2082340082P	SCREW CSK+	SCREW CSK+ M4x8	3
44	N/A	2080005900P	SCREW SPE	M6*10MM TYPE'T' BLACK ZN	6
45	N/A	2427407018P	WIRE HARNESS	7/7P H/H 1007#26 L=350mm	1
46	CB-00008244	2427406017P	WIRE HARNESS	2+5/6P H/H 1061#26 L=350/830mm	1
47	N/A	2427404044P	WIRE HARNESS	4/2+2P H/A 1007#24 L=700mm	1
48	CB-00008247	2427414021P	WIRE HARNESS	10/14P H/H 1007#28 L=280mm	1
49	CB-00008248	2427430045P	WIRE HARNESS	30/30P H/H 1571#28 L=360mm	1
50	N/A	2427412023P	WIRE HARNESS	12/12P H/H 1007#24 L=260mm	1
51	N/A	2391315001P-01	SPEAKER ASS'Y	15W/6ohm (R) L165*W58*H41mm DONGLI	1
52	N/A	2391315002P-01	SPEAKER ASS'Y	15W/6ohm (L) L165*W58*H41mm DONGLI	1

11. Recommended Spare Parts List

RECOMMENDED SPARE PARTS LIST (N3250wb-1)

ViewSonic Model Number: VS11752-1G

Serial No. Prefix: QMX

Rev: 1a

Item	Description	ECR/ECN	ViewSonic P/N	Ref. P/N	Location	Universal number#
1	Accessories: [Adapter, Remote Control;Power Cord]		A-00006133	2427130047P	P951	
2			A-00008153	2419200149P	H901	
3	PC Board Assembly: [All PCBA]		B-00008414	2200227048P	U801	
4			B-00008415	2200227045P	U801	
5			B-00008448	6201-7032146331		
6			B-00008449	6202-7032261401		
7			B-00008450	6206-7032146331		
8	Cabinets: [Front Panel, All Covers, Base Assembly]		C-00008473	2603308307	1F01	
9			C-00008474	2603407832	2C01	
10			C-00008475	2027268801P	1F55	
11			C-00008476	2027269601P	1F36	
12	Cables: [All Cables]		CB-00003425	2427701893P	P954	
13			CB-00005507	2427501195P	P952	
14			CB-00006023	2427751801P	P953	
15			A-VC-0101-0386	2427501187P	P952	
16	Documentation: [Quick Start Guide, CD Rom; Label]		DC-00008434	2001131777P	6P80	
17			DC-00008435	2002310666P	6P81	
18	Electronic Components: [CRT-EEPROM, Fly Back Transformer, Microprocessor] [LCD TV-Panel]		E-00008286	2212012610P	V901	
19			E-00008484	2391315001P	W902	
20			E-00008485	2391315002P	W903	
21	Packing Material: [Box, Foam, Bags]		P-00004497	2011100017P	6P85	
22			P-00005968	2013054007P	6P60	
23			P-00008435	2012199940P	6P20	
24			P-00008436	2012199950P	6P21	
25			P-00008437	2012199960P	6P22	
26			P-00008438	2012199970P	6P23	
27			P-00008477	2013054013P	6P70	
28			P-00008488	2011132802P	6P01	
29	Plastics: [Pedestal, Plate, Rubber Foot, Button, etc.]		PL-00008143	2028260102P	5B01	

Remark 1: Above listed items are examples, supplier can expand the rows to add more necessary items.

Remark 2: All revised RSPLs with newly added items or any change made should be highlighted and correlated with the ECN/ECR approved by ViewSonic Corporation. This is to eliminate repeated cross checks of each item between this version and prior versions.

BOM LIST (N3250wb-1)

ViewSonic Model Number: VS11752-1G

Rev: 1a

Serial No. Prefix: QMX

Item	ViewSonic P/N	Ref. P/N	Description	Location	Universal number#	Q'ty
1	E-X-0415-0111	2369102901P	XTAL OSC	14.31818MHZ/49US 0.1mW/30PF	X100	1
2	N/A	2391315002P-01	SPEAKER ASS'Y	15W/6ohm (L) L165*W58*H41mm DONGLI	W903	1
3	N/A	2391315001P-01	SPEAKER ASS'Y	15W/6ohm (R) L165*W58*H41mm DONGLI	W902	1
4	E-00008286	2212012610P	LCD PANEL	CLAA320WB02 C (217) Ver1.0 CPT	V901 RA	1
5	B-00008414	2200227048P	PCB ASS'Y	SPI	U801 RA	1
6	B-00008415	2200227045P	PCB ASS'Y	DARFON	U801 RB	1
7	N/A	2202137800P	PC BOARD	JC328RV P/B FR1 30*30mm	U703	1
8	N/A	2202126400P	PC BOARD	JC206 IR/B CEM1 51.5*9	U702	1
9	N/A	2202129800P	PC BOARD	JC278 KEY/B CEM1 120*20 V1.00	U701	1
10	N/A	2202529100P	PCB MULTILAYER	JC328RV14C M/B FR4*4 217*130mm	U101	1
11	M-SW-0815-0182	2403702200P	TACT SWITCH	1P H=4.3mm 160g TOP	S751	1
12	M-SW-0815-0182	2403702200P	TACT SWITCH	1P H=4.3mm 160g TOP	S707	1
13	M-SW-0815-0182	2403702200P	TACT SWITCH	1P H=4.3mm 160g TOP	S706	1
14	M-SW-0815-0182	2403702200P	TACT SWITCH	1P H=4.3mm 160g TOP	S705	1
15	M-SW-0815-0182	2403702200P	TACT SWITCH	1P H=4.3mm 160g TOP	S704	1
16	M-SW-0815-0182	2403702200P	TACT SWITCH	1P H=4.3mm 160g TOP	S703	1
17	M-SW-0815-0182	2403702200P	TACT SWITCH	1P H=4.3mm 160g TOP	S702	1
18	E-R-0405-6007	2259247208P	RES CHIP NETWORKS	8P4R 1/16W 4.7Kohm J P=0.8	RP19	1
19	E-R-0405-6007	2259247208P	RES CHIP NETWORKS	8P4R 1/16W 4.7Kohm J P=0.8	RP17	1
20	E-R-0405-6007	2259247208P	RES CHIP NETWORKS	8P4R 1/16W 4.7Kohm J P=0.8	RP16	1
21	E-R-0405-6007	2259247208P	RES CHIP NETWORKS	8P4R 1/16W 4.7Kohm J P=0.8	RP15	1
22	E-R-0405-6608	2259210108P	RES CHIP NETWORKS	8P4R 1/16W 100 ohm J P=0.8	RP14	1
23	E-R-0405-6608	2259210108P	RES CHIP NETWORKS	8P4R 1/16W 100 ohm J P=0.8	RP13	1
24	E-R-0405-6608	2259210108P	RES CHIP NETWORKS	8P4R 1/16W 100 ohm J P=0.8	RP12	1
25	E-R-0405-6608	2259210108P	RES CHIP NETWORKS	8P4R 1/16W 100 ohm J P=0.8	RP11	1
26	E-R-0405-6409	2253210196P	RES CHIP 1/10W	RC 0603 1/10W 100 ohm J T	R638	1
27	E-R-0405-6409	2253210196P	RES CHIP 1/10W	RC 0603 1/10W 100 ohm J T	R637	1
28	E-R-0405-6600	2253200096P	RES CHIP 1/10W	RC 0603 1/10W 0 ohm J T	R634	1
29	E-R-0405-6600	2253200096P	RES CHIP 1/10W	RC 0603 1/10W 0 ohm J T	R633	1
30	E-R-0405-6411	2253210396P	RES CHIP 1/10W	RC 0603 1/10W 10Kohm J T	R632	1
31	E-R-0405-6411	2253210396P	RES CHIP 1/10W	RC 0603 1/10W 10Kohm J T	R631	1
32	E-R-0405-6603	2253222096P	RES CHIP 1/10W	RC 0603 1/10W 22 ohm J T	R630	1
33	E-R-0405-6603	2253222096P	RES CHIP 1/10W	RC 0603 1/10W 22 ohm J T	R629	1
34	E-R-0405-6603	2253222096P	RES CHIP 1/10W	RC 0603 1/10W 22 ohm J T	R628	1
35	E-R-0405-6603	2253222096P	RES CHIP 1/10W	RC 0603 1/10W 22 ohm J T	R627	1
36	E-R-0405-6603	2253222096P	RES CHIP 1/10W	RC 0603 1/10W 22 ohm J T	R626	1
37	N/A	2253230496P	RES CHIP 1/10W	RC 0603 1/10W 300Kohm J T	R613	1
38	N/A	2253230496P	RES CHIP 1/10W	RC 0603 1/10W 300Kohm J T	R612	1
39	N/A	2253230496P	RES CHIP 1/10W	RC 0603 1/10W 300Kohm J T	R611	1
40	N/A	2253230496P	RES CHIP 1/10W	RC 0603 1/10W 300Kohm J T	R610	1
41	N/A	2253230496P	RES CHIP 1/10W	RC 0603 1/10W 300Kohm J T	R609	1
42	E-R-0405-6411	2253210396P	RES CHIP 1/10W	RC 0603 1/10W 10Kohm J T	R608	1
43	E-R-0405-6411	2253210396P	RES CHIP 1/10W	RC 0603 1/10W 10Kohm J T	R607	1
44	E-R-0405-6411	2253210396P	RES CHIP 1/10W	RC 0603 1/10W 10Kohm J T	R606	1
45	N/A	2253210496P	RES CHIP 1/10W	RC 0603 1/10W 100Kohm J T	R605	1
46	E-R-0405-6411	2253210396P	RES CHIP 1/10W	RC 0603 1/10W 10Kohm J T	R603	1
47	E-R-0405-6411	2253210396P	RES CHIP 1/10W	RC 0603 1/10W 10Kohm J T	R602	1
48	E-R-0405-6419	2253247296P	RES CHIP 1/10W	RC 0603 1/10W 4.7Kohm J T	R601	1
49	N/A	2253222396P	RES CHIP 1/10W	RC 0603 1/10W 22Kohm J T	R565	1
50	N/A	2253222396P	RES CHIP 1/10W	RC 0603 1/10W 22Kohm J T	R564	1
51	E-R-0405-6411	2253210396P	RES CHIP 1/10W	RC 0603 1/10W 10Kohm J T	R563	1
52	E-R-0405-6600	2253200096P	RES CHIP 1/10W	RC 0603 1/10W 0 ohm J T	R561	1
53	E-R-0405-6409	2253210196P	RES CHIP 1/10W	RC 0603 1/10W 100 ohm J T	R558	1
54	E-R-0405-6409	2253210196P	RES CHIP 1/10W	RC 0603 1/10W 100 ohm J T	R557	1
55	N/A	2253222396P	RES CHIP 1/10W	RC 0603 1/10W 22Kohm J T	R556	1
56	E-R-0405-6411	2253210396P	RES CHIP 1/10W	RC 0603 1/10W 10Kohm J T	R555	1
57	N/A	2253222396P	RES CHIP 1/10W	RC 0603 1/10W 22Kohm J T	R554	1
58	E-R-0405-6411	2253210396P	RES CHIP 1/10W	RC 0603 1/10W 10Kohm J T	R553	1
59	E-R-0405-6600	2253200096P	RES CHIP 1/10W	RC 0603 1/10W 0 ohm J T	R552	1
60	E-R-0405-6999	2253220396P	RES CHIP 1/10W	RC 0603 1/10W 20Kohm J T	R544	1
61	E-R-0405-6410	2253210296P	RES CHIP 1/10W	RC 0603 1/10W 1.0Kohm J T	R540	1
62	E-R-0405-6410	2253210296P	RES CHIP 1/10W	RC 0603 1/10W 1.0Kohm J T	R539	1
63	E-R-0405-6413	2253220296P	RES CHIP 1/10W	RC 0603 1/10W 2.0Kohm J T	R523	1
64	E-R-0405-6411	2253210396P	RES CHIP 1/10W	RC 0603 1/10W 10Kohm J T	R522	1
65	E-00003527	2253247396P	RES CHIP 1/10W	RC 0603 1/10W 47Kohm J T	R521	1
66	E-R-0405-6600	2253200096P	RES CHIP 1/10W	RC 0603 1/10W 0 ohm J T	R516	1
67	E-R-0405-6600	2253200096P	RES CHIP 1/10W	RC 0603 1/10W 0 ohm J T	R515	1
68	E-R-0405-6410	2253210296P	RES CHIP 1/10W	RC 0603 1/10W 1.0Kohm J T	R508	1
69	E-R-0405-6410	2253210296P	RES CHIP 1/10W	RC 0603 1/10W 1.0Kohm J T	R507	1
70	E-R-0405-6600	2253200096P	RES CHIP 1/10W	RC 0603 1/10W 0 ohm J T	R506	1
71	E-R-0405-6600	2253200096P	RES CHIP 1/10W	RC 0603 1/10W 0 ohm J T	R505	1
72	E-R-0405-6409	2253210196P	RES CHIP 1/10W	RC 0603 1/10W 100 ohm J T	R493	1
73	E-R-0405-6600	2253200096P	RES CHIP 1/10W	RC 0603 1/10W 0 ohm J T	R489	1
74	E-R-0405-6600	2253200096P	RES CHIP 1/10W	RC 0603 1/10W 0 ohm J T	R488	1
75	E-R-0405-6600	2253200096P	RES CHIP 1/10W	RC 0603 1/10W 0 ohm J T	R487	1
76	E-R-0405-6600	2253200096P	RES CHIP 1/10W	RC 0603 1/10W 0 ohm J T	R486	1
77	E-R-0405-6600	2253200096P	RES CHIP 1/10W	RC 0603 1/10W 0 ohm J T	R485	1
78	E-R-0405-6600	2253200096P	RES CHIP 1/10W	RC 0603 1/10W 0 ohm J T	R484	1
79	E-R-0405-6600	2253200096P	RES CHIP 1/10W	RC 0603 1/10W 0 ohm J T	R477	1
80	E-R-0405-6600	2253200096P	RES CHIP 1/10W	RC 0603 1/10W 0 ohm J T	R475	1
81	E-R-0405-6600	2253200096P	RES CHIP 1/10W	RC 0603 1/10W 0 ohm J T	R474	1
82	E-R-0405-6419	2253247296P	RES CHIP 1/10W	RC 0603 1/10W 4.7Kohm J T	R424	1
83	E-R-0405-6600	2253200096P	RES CHIP 1/10W	RC 0603 1/10W 0 ohm J T	R423	1

Item	ViewSonic P/N	Ref. P/N	Description	Location	Universal number#	Q'ty
84	E-R-0405-6600	2253200096P	RES CHIP 1/10W	RC 0603 1/10W 0 ohm J T	R422	1
85	E-R-0405-6600	2253200096P	RES CHIP 1/10W	RC 0603 1/10W 0 ohm J T	R421	1
86	E-R-0405-6411	2253210396P	RES CHIP 1/10W	RC 0603 1/10W 10Kohm J T	R419	1
87	E-R-0405-6603	2253222096P	RES CHIP 1/10W	RC 0603 1/10W 22 ohm J T	R418	1
88	E-R-0405-6603	2253222096P	RES CHIP 1/10W	RC 0603 1/10W 22 ohm J T	R417	1
89	E-R-0405-6603	2253222096P	RES CHIP 1/10W	RC 0603 1/10W 22 ohm J T	R393	1
90	E-R-0405-6419	2253247296P	RES CHIP 1/10W	RC 0603 1/10W 4.7Kohm J T	R391	1
91	E-R-0405-6419	2253247296P	RES CHIP 1/10W	RC 0603 1/10W 4.7Kohm J T	R390	1
92	E-R-0405-6410	2253210296P	RES CHIP 1/10W	RC 0603 1/10W 1.0Kohm J T	R389	1
93	N/A	2253212296P	RES CHIP 1/10W	RC 0603 1/10W 1.2Kohm J T	R388	1
94	N/A	2253268196P	RES CHIP 1/10W	RC 0603 1/10W 680 ohm J T	R387	1
95	E-R-0405-6417	2253247096P	RES CHIP 1/10W	RC 0603 1/10W 47 ohm J T	R386	1
96	E-R-0405-6410	2253210296P	RES CHIP 1/10W	RC 0603 1/10W 1.0Kohm J T	R385	1
97	E-R-0405-6410	2253210296P	RES CHIP 1/10W	RC 0603 1/10W 1.0Kohm J T	R384	1
98	N/A	2251215006P	RES CHIP 1/10W	RC 0603 1/10W 150 ohm F T	R382	1
99	E-R-0405-6409	2253210196P	RES CHIP 1/10W	RC 0603 1/10W 100 ohm J T	R381	1
100	E-R-0405-6409	2253210196P	RES CHIP 1/10W	RC 0603 1/10W 100 ohm J T	R380	1
101	E-R-0405-6409	2253210196P	RES CHIP 1/10W	RC 0603 1/10W 100 ohm J T	R379	1
102	E-R-0405-6409	2253210196P	RES CHIP 1/10W	RC 0603 1/10W 100 ohm J T	R378	1
103	E-R-0405-6409	2253210196P	RES CHIP 1/10W	RC 0603 1/10W 100 ohm J T	R377	1
104	E-R-0405-6409	2253210196P	RES CHIP 1/10W	RC 0603 1/10W 100 ohm J T	R375	1
105	E-R-0405-6411	2253210396P	RES CHIP 1/10W	RC 0603 1/10W 10Kohm J T	R374	1
106	E-R-0405-6409	2253210196P	RES CHIP 1/10W	RC 0603 1/10W 100 ohm J T	R373	1
107	E-R-0405-6409	2253210196P	RES CHIP 1/10W	RC 0603 1/10W 100 ohm J T	R372	1
108	E-R-0405-6411	2253210396P	RES CHIP 1/10W	RC 0603 1/10W 10Kohm J T	R370	1
109	E-R-0405-6411	2253210396P	RES CHIP 1/10W	RC 0603 1/10W 10Kohm J T	R369	1
110	E-R-0405-6600	2253200096P	RES CHIP 1/10W	RC 0603 1/10W 0 ohm J T	R367	1
111	E-R-0405-6411	2253210396P	RES CHIP 1/10W	RC 0603 1/10W 10Kohm J T	R366	1
112	E-R-0405-6411	2253210396P	RES CHIP 1/10W	RC 0603 1/10W 10Kohm J T	R363	1
113	E-R-0405-6409	2253210196P	RES CHIP 1/10W	RC 0603 1/10W 100 ohm J T	R362	1
114	E-R-0405-6603	2253222096P	RES CHIP 1/10W	RC 0603 1/10W 22 ohm J T	R361	1
115	E-R-0405-6603	2253222096P	RES CHIP 1/10W	RC 0603 1/10W 22 ohm J T	R360	1
116	E-R-0405-6603	2253222096P	RES CHIP 1/10W	RC 0603 1/10W 22 ohm J T	R359	1
117	E-R-0405-6603	2253222096P	RES CHIP 1/10W	RC 0603 1/10W 22 ohm J T	R358	1
118	E-R-0405-6410	2253210296P	RES CHIP 1/10W	RC 0603 1/10W 1.0Kohm J T	R357	1
119	E-R-0405-6410	2253210296P	RES CHIP 1/10W	RC 0603 1/10W 1.0Kohm J T	R355	1
120	E-R-0405-6419	2253247296P	RES CHIP 1/10W	RC 0603 1/10W 4.7Kohm J T	R354	1
121	E-R-0405-6419	2253247296P	RES CHIP 1/10W	RC 0603 1/10W 4.7Kohm J T	R353	1
122	N/A	2253239196P	RES CHIP 1/10W	RC 0603 1/10W 390 ohm J T	R350	1
123	E-R-0405-6419	2253247296P	RES CHIP 1/10W	RC 0603 1/10W 4.7Kohm J T	R349	1
124	E-R-0405-6600	2253200096P	RES CHIP 1/10W	RC 0603 1/10W 0 ohm J T	R348	1
125	E-R-0405-6600	2253200096P	RES CHIP 1/10W	RC 0603 1/10W 0 ohm J T	R347	1
126	E-R-0405-6601	2253210596P	RES CHIP 1/10W	RC 0603 1/10W 1.0Mohm J T	R346	1
127	N/A	2253224396P	RES CHIP 1/10W	RC 0603 1/10W 24Kohm J T	R345	1
128	E-R-0405-6600	2253200096P	RES CHIP 1/10W	RC 0603 1/10W 0 ohm J T	R344	1
129	E-R-0405-6409	2253210196P	RES CHIP 1/10W	RC 0603 1/10W 100 ohm J T	R343	1
130	E-R-0405-6416	2253233296P	RES CHIP 1/10W	RC 0603 1/10W 3.3Kohm J T	R342	1
131	E-R-0405-6416	2253233296P	RES CHIP 1/10W	RC 0603 1/10W 3.3Kohm J T	R341	1
132	E-R-0405-6411	2253210396P	RES CHIP 1/10W	RC 0603 1/10W 10Kohm J T	R275	1
133	E-R-0405-6600	2253200096P	RES CHIP 1/10W	RC 0603 1/10W 0 ohm J T	R274	1
134	E-R-0405-6417	2253247096P	RES CHIP 1/10W	RC 0603 1/10W 47 ohm J T	R273	1
135	E-R-0405-7003	2253275096P	RES CHIP 1/10W	RC 0603 1/10W 75 ohm J T	R272	1
136	E-R-0405-6417	2253247096P	RES CHIP 1/10W	RC 0603 1/10W 47 ohm J T	R271	1
137	E-R-0405-6600	2253200096P	RES CHIP 1/10W	RC 0603 1/10W 0 ohm J T	R266	1
138	E-R-0405-6600	2253200096P	RES CHIP 1/10W	RC 0603 1/10W 0 ohm J T	R265	1
139	E-R-0405-6600	2253200096P	RES CHIP 1/10W	RC 0603 1/10W 0 ohm J T	R264	1
140	N/A	2253222396P	RES CHIP 1/10W	RC 0603 1/10W 22Kohm J T	R226	1
141	N/A	2253222396P	RES CHIP 1/10W	RC 0603 1/10W 22Kohm J T	R225	1
142	E-R-0405-6411	2253210396P	RES CHIP 1/10W	RC 0603 1/10W 10Kohm J T	R224	1
143	E-R-0405-6411	2253210396P	RES CHIP 1/10W	RC 0603 1/10W 10Kohm J T	R223	1
144	E-R-0405-6410	2253210296P	RES CHIP 1/10W	RC 0603 1/10W 1.0Kohm J T	R222	1
145	E-R-0405-6410	2253210296P	RES CHIP 1/10W	RC 0603 1/10W 1.0Kohm J T	R221	1
146	N/A	2253222396P	RES CHIP 1/10W	RC 0603 1/10W 22Kohm J T	R219	1
147	E-R-0405-6411	2253210396P	RES CHIP 1/10W	RC 0603 1/10W 10Kohm J T	R217	1
148	N/A	2253222396P	RES CHIP 1/10W	RC 0603 1/10W 22Kohm J T	R216	1
149	E-R-0405-6411	2253210396P	RES CHIP 1/10W	RC 0603 1/10W 10Kohm J T	R215	1
150	E-R-0405-7003	2253275096P	RES CHIP 1/10W	RC 0603 1/10W 75 ohm J T	R211	1
151	E-R-0405-7003	2253275096P	RES CHIP 1/10W	RC 0603 1/10W 75 ohm J T	R210	1
152	E-R-0405-7003	2253275096P	RES CHIP 1/10W	RC 0603 1/10W 75 ohm J T	R209	1
153	E-R-0405-6417	2253247096P	RES CHIP 1/10W	RC 0603 1/10W 47 ohm J T	R207	1
154	E-R-0405-6417	2253247096P	RES CHIP 1/10W	RC 0603 1/10W 47 ohm J T	R205	1
155	E-R-0405-7003	2253275096P	RES CHIP 1/10W	RC 0603 1/10W 75 ohm J T	R204	1
156	E-R-0405-7003	2253275096P	RES CHIP 1/10W	RC 0603 1/10W 75 ohm J T	R203	1
157	E-R-0405-6417	2253247096P	RES CHIP 1/10W	RC 0603 1/10W 47 ohm J T	R202	1
158	E-R-0405-6417	2253247096P	RES CHIP 1/10W	RC 0603 1/10W 47 ohm J T	R201	1
159	E-R-0405-7003	2253275096P	RES CHIP 1/10W	RC 0603 1/10W 75 ohm J T	R200	1
160	E-R-0405-6417	2253247096P	RES CHIP 1/10W	RC 0603 1/10W 47 ohm J T	R199	1
161	E-R-0405-6417	2253247096P	RES CHIP 1/10W	RC 0603 1/10W 47 ohm J T	R198	1
162	E-R-0405-6417	2253247096P	RES CHIP 1/10W	RC 0603 1/10W 47 ohm J T	R197	1
163	E-R-0405-6417	2253247096P	RES CHIP 1/10W	RC 0603 1/10W 47 ohm J T	R196	1
164	E-R-0405-6418	2253247196P	RES CHIP 1/10W	RC 0603 1/10W 470 ohm J T	R192	1
165	E-R-0405-6417	2253247096P	RES CHIP 1/10W	RC 0603 1/10W 47 ohm J T	R191	1
166	E-R-0405-6417	2253247096P	RES CHIP 1/10W	RC 0603 1/10W 47 ohm J T	R190	1
167	E-R-0405-6417	2253247096P	RES CHIP 1/10W	RC 0603 1/10W 47 ohm J T	R189	1
168	E-R-0405-6419	2253247296P	RES CHIP 1/10W	RC 0603 1/10W 4.7Kohm J T	R188	1
169	E-R-0405-6410	2253210296P	RES CHIP 1/10W	RC 0603 1/10W 1.0Kohm J T	R185	1
170	N/A	2253210496P	RES CHIP 1/10W	RC 0603 1/10W 100Kohm J T	R183	1

Item	ViewSonic P/N	Ref. P/N	Description	Location	Universal number#	Q'ty
171	E-R-0405-6409	2253210196P	RES CHIP 1/10W	RC 0603 1/10W 100 ohm J T	R182	1
172	E-R-0405-6409	2253210196P	RES CHIP 1/10W	RC 0603 1/10W 100 ohm J T	R181	1
173	E-00003527	2253247396P	RES CHIP 1/10W	RC 0603 1/10W 47Kohm J T	R180	1
174	E-R-0405-6600	2253200096P	RES CHIP 1/10W	RC 0603 1/10W 0 ohm J T	R153	1
175	E-R-0405-6409	2253210196P	RES CHIP 1/10W	RC 0603 1/10W 100 ohm J T	R151	1
176	E-R-0405-6409	2253210196P	RES CHIP 1/10W	RC 0603 1/10W 100 ohm J T	R150	1
177	E-R-0405-6600	2253200096P	RES CHIP 1/10W	RC 0603 1/10W 0 ohm J T	R149	1
178	E-R-0405-6600	2253200096P	RES CHIP 1/10W	RC 0603 1/10W 0 ohm J T	R146	1
179	E-R-0405-6416	2253233296P	RES CHIP 1/10W	RC 0603 1/10W 3.3Kohm J T	R143	1
180	E-R-0405-6416	2253233296P	RES CHIP 1/10W	RC 0603 1/10W 3.3Kohm J T	R142	1
181	E-R-0405-6604	2253222296P	RES CHIP 1/10W	RC 0603 1/10W 2.2Kohm J T	R139	1
182	E-R-0405-6409	2253210196P	RES CHIP 1/10W	RC 0603 1/10W 100 ohm J T	R138	1
183	E-R-0405-6604	2253222296P	RES CHIP 1/10W	RC 0603 1/10W 2.2Kohm J T	R137	1
184	E-R-0405-6409	2253210196P	RES CHIP 1/10W	RC 0603 1/10W 100 ohm J T	R136	1
185	E-R-0405-6417	2253247096P	RES CHIP 1/10W	RC 0603 1/10W 47 ohm J T	R127	1
186	E-R-0405-6417	2253247096P	RES CHIP 1/10W	RC 0603 1/10W 47 ohm J T	R125	1
187	E-R-0405-6417	2253247096P	RES CHIP 1/10W	RC 0603 1/10W 47 ohm J T	R123	1
188	E-R-0405-7003	2253275096P	RES CHIP 1/10W	RC 0603 1/10W 75 ohm J T	R122	1
189	E-R-0405-7003	2253275096P	RES CHIP 1/10W	RC 0603 1/10W 75 ohm J T	R121	1
190	E-R-0405-7003	2253275096P	RES CHIP 1/10W	RC 0603 1/10W 75 ohm J T	R120	1
191	E-R-0405-6418	2253247196P	RES CHIP 1/10W	RC 0603 1/10W 470 ohm J T	R119	1
192	E-R-0405-6417	2253247096P	RES CHIP 1/10W	RC 0603 1/10W 47 ohm J T	R118	1
193	E-R-0405-6417	2253247096P	RES CHIP 1/10W	RC 0603 1/10W 47 ohm J T	R117	1
194	E-R-0405-6417	2253247096P	RES CHIP 1/10W	RC 0603 1/10W 47 ohm J T	R116	1
195	E-R-0405-6419	2253247296P	RES CHIP 1/10W	RC 0603 1/10W 4.7Kohm J T	R113	1
196	E-R-0405-6410	2253210296P	RES CHIP 1/10W	RC 0603 1/10W 1.0Kohm J T	R112	1
197	E-R-0405-6419	2253247296P	RES CHIP 1/10W	RC 0603 1/10W 4.7Kohm J T	R111	1
198	E-R-0405-6419	2253247296P	RES CHIP 1/10W	RC 0603 1/10W 4.7Kohm J T	R110	1
199	E-R-0405-6600	2253200096P	RES CHIP 1/10W	RC 0603 1/10W 0 ohm J T	R109	1
200	E-R-0405-6411	2253210396P	RES CHIP 1/10W	RC 0603 1/10W 10Kohm J T	R108	1
201	E-R-0405-6410	2253210296P	RES CHIP 1/10W	RC 0603 1/10W 1.0Kohm J T	R107	1
202	N/A	2253210496P	RES CHIP 1/10W	RC 0603 1/10W 100Kohm J T	R105	1
203	E-R-0405-6419	2253247296P	RES CHIP 1/10W	RC 0603 1/10W 4.7Kohm J T	R104	1
204	E-00003527	2253247396P	RES CHIP 1/10W	RC 0603 1/10W 47Kohm J T	R103	1
205	N/A	2253224296P	RES CHIP 1/10W	RC 0603 1/10W 2.4Kohm J T	R102	1
206	E-R-0405-6410	2253210296P	RES CHIP 1/10W	RC 0603 1/10W 1.0Kohm J T	R100	1
207	E-Q-0402-1087	2360301896P	XISTOR NPN R SMD	MMBT3904LT1G-LR SOT-23 LRC	Q601 RA	1
208	E-Q-0402-1624	2360301696P	XISTOR NPN R SMD	PMBS3904 SOT-23 PHILIPS	Q601 RB	1
209	E-Q-0402-1180	2360301296P	XISTOR NPN R SMD	MMBT3904-F SOT23 DIODES	Q601 RC	1
210	E-Q-0402-1608	2360300896P	XISTOR NPN R SMD	MMBT3904K SOT-23 FAIRCHILD	Q601 RD	1
211	N/A	2360302196P	XISTOR NPN R SMD	MMBT3904LT1G SOT-23 ON	Q601 RE	1
212	E-Q-0402-1087	2360301896P	XISTOR NPN R SMD	MMBT3904LT1G-LR SOT-23 LRC	Q132 RA	1
213	E-Q-0402-1624	2360301696P	XISTOR NPN R SMD	PMBS3904 SOT-23 PHILIPS	Q132 RB	1
214	E-Q-0402-1180	2360301296P	XISTOR NPN R SMD	MMBT3904-F SOT23 DIODES	Q132 RC	1
215	E-Q-0402-1608	2360300896P	XISTOR NPN R SMD	MMBT3904K SOT-23 FAIRCHILD	Q132 RD	1
216	N/A	2360302196P	XISTOR NPN R SMD	MMBT3904LT1G SOT-23 ON	Q132 RE	1
217	E-Q-0402-1607	2360100596P	XISTOR PNP R SMD	MMBT3906-NL SOT23 FAIRCHILD	Q120 RA	1
218	E-Q-0402-1607	2360100796P	XISTOR PNP R SMD	MMBT3906-F SOT-23 DIODES	Q120 RB	1
219	N/A	2360100696P	XISTOR PNP R SMD	PMBS3906 SOT-23 PHILIPS	Q120 RC	1
220	N/A	2360100896P	XISTOR PNP R SMD	MMBT3906LT1G SOT-23 ON	Q120 RD	1
221	E-Q-0402-1375	2360100396P	XISTOR PNP R SMD	MMBT3906-7 SOT23 VISHAY	Q120 RE	1
222	E-Q-0402-1607	2360100596P	XISTOR PNP R SMD	MMBT3906-NL SOT23 FAIRCHILD	Q119 RA	1
223	E-Q-0402-1607	2360100796P	XISTOR PNP R SMD	MMBT3906-F SOT-23 DIODES	Q119 RB	1
224	N/A	2360100696P	XISTOR PNP R SMD	PMBS3906 SOT-23 PHILIPS	Q119 RC	1
225	N/A	2360100896P	XISTOR PNP R SMD	MMBT3906LT1G SOT-23 ON	Q119 RD	1
226	E-Q-0402-1375	2360100396P	XISTOR PNP R SMD	MMBT3906-7 SOT23 VISHAY	Q119 RE	1
227	N/A	2360609496P	FET N-CH (EOL)	2N7002G SOT-23 Pyramis	Q114 RA	1
228	N/A	2360609096P	FET N-CH(SMD)	2N7002K SOT-23 PHILIPS	Q114 RB	1
229	N/A	2360607696P	FET N-CH(SMD)	2N7002 SOT-23 FAIRCHILD	Q114 RC	1
230	N/A	2360609496P	FET N-CH (EOL)	2N7002G SOT-23 Pyramis	Q113 RA	1
231	N/A	2360609096P	FET N-CH(SMD)	2N7002K SOT-23 PHILIPS	Q113 RB	1
232	N/A	2360607696P	FET N-CH(SMD)	2N7002 SOT-23 FAIRCHILD	Q113 RC	1
233	E-Q-0402-1087	2360301896P	XISTOR NPN R SMD	MMBT3904LT1G-LR SOT-23 LRC	Q111 RA	1
234	E-Q-0402-1624	2360301696P	XISTOR NPN R SMD	PMBS3904 SOT-23 PHILIPS	Q111 RB	1
235	E-Q-0402-1180	2360301296P	XISTOR NPN R SMD	MMBT3904-F SOT23 DIODES	Q111 RC	1
236	E-Q-0402-1608	2360300896P	XISTOR NPN R SMD	MMBT3904K SOT-23 FAIRCHILD	Q111 RD	1
237	N/A	2360302196P	XISTOR NPN R SMD	MMBT3904LT1G SOT-23 ON	Q111 RE	1
238	E-Q-0402-1087	2360301896P	XISTOR NPN R SMD	MMBT3904LT1G-LR SOT-23 LRC	Q103 RA	1
239	E-Q-0402-1624	2360301696P	XISTOR NPN R SMD	PMBS3904 SOT-23 PHILIPS	Q103 RB	1
240	E-Q-0402-1180	2360301296P	XISTOR NPN R SMD	MMBT3904-F SOT23 DIODES	Q103 RC	1
241	E-Q-0402-1608	2360300896P	XISTOR NPN R SMD	MMBT3904K SOT-23 FAIRCHILD	Q103 RD	1
242	N/A	2360302196P	XISTOR NPN R SMD	MMBT3904LT1G SOT-23 ON	Q103 RE	1
243	E-Q-0402-1087	2360301896P	XISTOR NPN R SMD	MMBT3904LT1G-LR SOT-23 LRC	Q102 RA	1
244	E-Q-0402-1624	2360301696P	XISTOR NPN R SMD	PMBS3904 SOT-23 PHILIPS	Q102 RB	1
245	E-Q-0402-1180	2360301296P	XISTOR NPN R SMD	MMBT3904-F SOT23 DIODES	Q102 RC	1
246	E-Q-0402-1608	2360300896P	XISTOR NPN R SMD	MMBT3904K SOT-23 FAIRCHILD	Q102 RD	1
247	N/A	2360302196P	XISTOR NPN R SMD	MMBT3904LT1G SOT-23 ON	Q102 RE	1
248	E-Q-0402-1087	2360301896P	XISTOR NPN R SMD	MMBT3904LT1G-LR SOT-23 LRC	Q101 RA	1
249	E-Q-0402-1624	2360301696P	XISTOR NPN R SMD	PMBS3904 SOT-23 PHILIPS	Q101 RB	1
250	E-Q-0402-1180	2360301296P	XISTOR NPN R SMD	MMBT3904-F SOT23 DIODES	Q101 RC	1
251	E-Q-0402-1608	2360300896P	XISTOR NPN R SMD	MMBT3904K SOT-23 FAIRCHILD	Q101 RD	1
252	N/A	2360302196P	XISTOR NPN R SMD	MMBT3904LT1G SOT-23 ON	Q101 RE	1
253	E-Q-0402-1607	2360100596P	XISTOR PNP R SMD	MMBT3906-NL SOT23 FAIRCHILD	Q100 RA	1
254	E-Q-0402-1607	2360100796P	XISTOR PNP R SMD	MMBT3906-F SOT-23 DIODES	Q100 RB	1
255	N/A	2360100696P	XISTOR PNP R SMD	PMBS3906 SOT-23 PHILIPS	Q100 RC	1
256	N/A	2360100896P	XISTOR PNP R SMD	MMBT3906LT1G SOT-23 ON	Q100 RD	1
257	E-Q-0402-1375	2360100396P	XISTOR PNP R SMD	MMBT3906-7 SOT23 VISHAY	Q100 RE	1

Item	ViewSonic P/N	Ref. P/N	Description	Location	Universal number#	Q'ty
258	CB-0003425	2427701893P	CABLE	RCA 3P(Y/R/W) 2562#26 1.8M BLK	P954	1
259	CB-0006023	2427751801P	CABLE	RG59U (M/M) L=1.83M BLACK	P953	1
260	A-VC-0101-0386	2427501187P	I/O CABLE	D15/D15 20276(3+6) 1.83M BLACK	P952 RA	1
261	CB-0005507	2427501195P	I/O CABLE	D15/D15 20276(4.5) 1.83M BLACK	P952 RB	1
262	A-00006133	2427130047P	AC POWER CORD	GERMAN WALL 1.83M BLACK	P951	1
263	N/A	2407001800P	SOCKET,ASSY	INLET/5P CONN. 1015#18 L=90mm	P801	1
264	N/A	2404301101P	CONNECTOR	JST PH 2P SIDE P=2.0 OR EQUAL	P751	1
265	N/A	2427412023P	WIRE HARNESS	12/12P H/H 1007#24 L=260mm	P717	1
266	CB-00008248	2427430045P	WIRE HARNESS	30/30P H/H 1571#28 L=360mm	P716	1
267	CB-00008247	2427414021P	WIRE HARNESS	10/14P H/H 1007#28 L=280mm	P715	1
268	N/A	2427406009P	WIRE HARNESS	2+5/6P H/H 1061#26 L=350/850mm	P713	1
269	N/A	2427407018P	WIRE HARNESS	7/7P H/H 1007#26 L=350mm	P712	1
270	N/A	2404301104P	CONNECTOR	JST PH 5P SIDE P=2.0 OR EQUAL	P711	1
271	N/A	2404301106P	CONNECTOR	JST PH 7P SIDE P=2.0 OR EQUAL	P701	1
272	N/A	2404300003P	CONNECTOR	JST XH 4P TOP P=2.5 OR EQUAL	P601	1
273	N/A	2404312130P	CONNECTOR	30P 2RIL TOP P=2.0mm 2046P**V	P115	1
274	N/A	2404301106P	CONNECTOR	JST PH 7P SIDE P=2.0 OR EQUAL	P114	1
275	M-MS-0808-6354	2404301105P	CONNECTOR	JST PH 6P SIDE P=2.0 OR EQUAL	P113	1
276	N/A	2405106000P	EARPHONE JACK	2SJ-P520-A04 (577C) SINGATRON	P109	1
277	N/A	2405332201P	RCA JACK	2*3(6P WHT/RED)	P107	1
278	N/A	2407442900P	SOCKET	MINI DIN 4P SIDE BLACK	P106	1
279	N/A	2405322201P	RCA JACK	2*2P (4P BLU/YEL/RED/GRN)	P105	1
280	N/A	2407640219P	SOCKET,SMD	HDMI HMR47-19P ACON	P104 RA	1
281	N/A	2407640519P	SOCKET,SMD	HDMI HMR4A-AK5200 ACON	P104 RB	1
282	N/A	2407640319P	SOCKET,SMD	HDMI 2HE-51U1-NB3 SINGATRON	P104 RC	1
283	N/A	2407430900P	SOCKET	DHSB-15FTF7 BLUE(661C) LEOCO	P102	1
284	N/A	2404301011P	CONNECTOR	JST XH 12P SIDE P=2.5 OR EQUAL	P101	1
285	N/A	2253300096P	RES CHIP 1/8W	RC 0805 1/8 W 0 ohm J T	L608	1
286	N/A	2253300096P	RES CHIP 1/8W	RC 0805 1/8 W 0 ohm J T	L607	1
287	N/A	2371115001P	COIL CHOKE	15uH/ 8*10 UEW 0.5mm/21.5Ts	L606	1
288	N/A	2371115001P	COIL CHOKE	15uH/ 8*10 UEW 0.5mm/21.5Ts	L605	1
289	N/A	2371115001P	COIL CHOKE	15uH/ 8*10 UEW 0.5mm/21.5Ts	L604	1
290	N/A	2371115001P	COIL CHOKE	15uH/ 8*10 UEW 0.5mm/21.5Ts	L603	1
291	N/A	2379500296P	BEAD,HI-CURRENT	Z= 120 ohm 0805 I=6.0A	L602	1
292	N/A	2379500296P	BEAD,HI-CURRENT	Z= 120 ohm 0805 I=6.0A	L601	1
293	E-L-0407-1533	2371154600P	COIL CHOKE	R6*20 5.2uH 0.9mm/14.5Ts	L178	1
294	N/A	2253300096P	RES CHIP 1/8W	RC 0805 1/8 W 0 ohm J T	L176	1
295	N/A	2379512106P	BEAD,HI-CURRENT	Z= 120 ohm 0603 I=3.0A	L169	1
296	N/A	2379512106P	BEAD,HI-CURRENT	Z= 120 ohm 0603 I=3.0A	L168	1
297	E-00003533	2379520196P	BEAD,HI-CURRENT	Z= 200 ohm 0805 I=2.0A	L167	1
298	E-00003533	2379520196P	BEAD,HI-CURRENT	Z= 200 ohm 0805 I=2.0A	L166	1
299	E-00003533	2379520196P	BEAD,HI-CURRENT	Z= 200 ohm 0805 I=2.0A	L157	1
300	E-00003533	2379520196P	BEAD,HI-CURRENT	Z= 200 ohm 0805 I=2.0A	L156	1
301	N/A	2377447996P	INDUCTOR CHIP MULTI-LAYER	4.7uH/0603 K T	L148	1
302	E-00003533	2379520196P	BEAD,HI-CURRENT	Z= 200 ohm 0805 I=2.0A	L146	1
303	N/A	2371132900P	COIL CHOKE	JD177P3 0.3*121.5 600uH	L145	1
304	E-00003533	2379520196P	BEAD,HI-CURRENT	Z= 200 ohm 0805 I=2.0A	L144	1
305	N/A	2379512106P	BEAD,HI-CURRENT	Z= 120 ohm 0603 I=3.0A	L128	1
306	N/A	2379512106P	BEAD,HI-CURRENT	Z= 120 ohm 0603 I=3.0A	L127	1
307	N/A	2377422996P	INDUCTOR CHIP MULTI-LAYER	2.2uH/0603 K T	L124	1
308	N/A	2377422996P	INDUCTOR CHIP MULTI-LAYER	2.2uH/0603 K T	L122	1
309	N/A	2377422996P	INDUCTOR CHIP MULTI-LAYER	2.2uH/0603 K T	L120	1
310	N/A	2377422996P	INDUCTOR CHIP MULTI-LAYER	2.2uH/0603 K T	L118	1
311	N/A	2377422996P	INDUCTOR CHIP MULTI-LAYER	2.2uH/0603 K T	L117	1
312	N/A	2377422996P	INDUCTOR CHIP MULTI-LAYER	2.2uH/0603 K T	L115	1
313	E-00003533	2379520196P	BEAD,HI-CURRENT	Z= 200 ohm 0805 I=2.0A	L113	1
314	E-00003533	2379520196P	BEAD,HI-CURRENT	Z= 200 ohm 0805 I=2.0A	L112	1
315	E-00003533	2379520196P	BEAD,HI-CURRENT	Z= 200 ohm 0805 I=2.0A	L111	1
316	E-00003533	2379520196P	BEAD,HI-CURRENT	Z= 200 ohm 0805 I=2.0A	L110	1
317	E-00003533	2379520196P	BEAD,HI-CURRENT	Z= 200 ohm 0805 I=2.0A	L109	1
318	N/A	2253300096P	RES CHIP 1/8W	RC 0805 1/8 W 0 ohm J T	L108	1
319	N/A	2253300096P	RES CHIP 1/8W	RC 0805 1/8 W 0 ohm J T	L107	1
320	E-00003533	2379520196P	BEAD,HI-CURRENT	Z= 200 ohm 0805 I=2.0A	L106	1
321	E-00008392	2379500196P	BEAD,HI-CURRENT	Z= 80 ohm 0805 I=6.0A	L105	1
322	E-00003533	2379520196P	BEAD,HI-CURRENT	Z= 200 ohm 0805 I=2.0A	L104	1
323	E-00008392	2379500196P	BEAD,HI-CURRENT	Z= 80 ohm 0805 I=6.0A	L103	1
324	E-00008392	2379500196P	BEAD,HI-CURRENT	Z= 80 ohm 0805 I=6.0A	L102	1
325	E-00008392	2379500196P	BEAD,HI-CURRENT	Z= 80 ohm 0805 I=6.0A	L101	1
326	E-00008392	2379500196P	BEAD,HI-CURRENT	Z= 80 ohm 0805 I=6.0A	L100	1
327	N/A	2438000001P	SOFTWARE	HDCP KEY CODE	KC01	1
328	N/A	2433304020P	SHIELDING FOAM	W10*H10.5*L20mm	K901	1
329	N/A	2419301600P	RECEIV BLOCK	ECM-V38-5VS13F4 ECEL	I701 RA	1
330	N/A	2419301000P	RECEIV BLOCK	FM-6038TM2-5AN OPTO	I701 RB	1
331	N/A	2419301100P	RECEIV BLOCK	PL-IRM0206-A538 PARA LIGHT	I701 RC	1
332	N/A	2365425496P	DIGITAL IC	YDA138 SSOP-42 YAMAHA	I601	1
333	N/A	2365335606P	LINEAR IC	WM8521HCGED SOIC-14 WOLFSON	I129	1
334	E-00009916	2360501596P	FET P-CH SMD	AO4405 SO-8 AOS	I127 RA	1
335	E-00009915	2360501196P	FET P-CH SMD	AP9435GM SO-8 APEC	I127 RB	1
336	E-00003529	2360501796P	FET P-CH SMD	APM9435KC SO-8 Anpec	I127 RC	1
337	N/A	2360502596P	FET P-CH SMD	STM9435 SO-8 SamHop	I127 RD	1
338	N/A	2360502796P	FET P-CH SMD	SPP9435S8RG SOP-8P SYNC	I127 RE	1
339	N/A	2365100896P	MEMORY IC	AT24C02N-10SC 8S1 ATMEL	I124 RA	1
340	N/A	2365426086P	DIGITAL IC	M24C02-WMN6TP SO-8 ST	I124 RB	1
341	N/A	2365107296P	MEMORY IC	NT5DS8M16FS-5T TSSOP66 NANYA	I120 RA	1
342	N/A	2365107396P	MEMORY IC	M13S128168A-5TG TSOP-66 ESMT	I120 RB	1
343	N/A	2365108996P	MEMORY IC	W25X040VSSIG SO-8 WINBOND	I119 RA	1
344	N/A	2365109496P	MEMORY IC	EN25P40-50HCP SOIC-8 EON	I119 RB	1

Item	ViewSonic P/N	Ref. P/N	Description	Location	Universal number#	Q'ty
345	N/A	2365109396P	MEMORY IC	PM25LV040-100SCE SOIC-8 PMC	I119 RC	1
346	N/A	2365108696P	MEMORY IC	HT24LC04 SO-8 HOLTEK	I118 RA	1
347	N/A	2365903996P	IC,DIGITAL SMD	AT24C04N-10SU-2.7 S08 ATMEL	I118 RB	1
348	N/A	2365425896P	DIGITAL IC	MST96889LD-LF LQFP-256 MSTAR	I117	1
349	N/A	2365104696P	MEMORY IC	HT24LC32 SOP-8 HOLTEK	I116 RA	1
350	N/A	2365106896P	MEMORY IC	AT24C32AN-10SU-2.7 SO-8 AMTEL	I116 RB	1
351	N/A	2365109096P	MEMORY IC	AF24BC32 SO-8 APLUS	I116 RC	1
352	N/A	2416903300P	UV TUNER	TVF85P5-CF TVISION	I115 RA	1
353	N/A	2416903400P	UV TUNER	M09WPP-2PS-E TCL	I115 RB	1
354	N/A	2365101096P	MEMORY IC	24LC21AT/SN SOIC8 MICROCHIP	I106	1
355	N/A	2365335156P	LINEAR IC	OB1084CLP(1.8V) TO-263 LITEON	I104 RA	1
356	N/A	2365814996P	IC LINEAR(SMD)	AP1084K18LA TO-263 AnaChip	I104 RB	1
357	N/A	2365810196P	IC LINEAR(SMD)	AIC1084-18CM TO-263 AIC	I104 RC	1
358	N/A	2365335516P	LINEAR IC	AMC7585-1.8STFT TO-263 ADD	I104 RD	1
359	N/A	2365335536P	LINEAR IC	APE1084S18 TO-263 APEC	I104 RE	1
360	E-IC-0401-2924	2365808196P	IC LINEAR(SMD)	AP1117E33LA SOT-223 AnaChip	I103 RA	1
361	N/A	2365808396P	IC LINEAR(SMD)	AIC1117-33PY SOT-223 AIC	I103 RB	1
362	N/A	2365808496P	IC LINEAR(SMD)	RT9162-33CXL RICHTEK SOT-89	I103 RC	1
363	N/A	2365807196P	IC LINEAR(SMD)	AMC1117-3.3 SOT-223 ADD	I103 RD	1
364	N/A	2365335566P	LINEAR IC	APE1117K33 SOT-223 APEC	I103 RE	1
365	E-IC-0401-2924	2365808196P	IC LINEAR(SMD)	AP1117E33LA SOT-223 AnaChip	I102 RA	1
366	N/A	2365808396P	IC LINEAR(SMD)	AIC1117-33PY SOT-223 AIC	I102 RB	1
367	N/A	2365808496P	IC LINEAR(SMD)	RT9162-33CXL RICHTEK SOT-89	I102 RC	1
368	N/A	2365807196P	IC LINEAR(SMD)	AMC1117-3.3 SOT-223 ADD	I102 RD	1
369	N/A	2365335566P	LINEAR IC	APE1117K33 SOT-223 APEC	I102 RE	1
370	N/A	2365808596P	IC LINEAR(SMD)	CM1117GKCM223 SOT223 CHAMPION	I101 RA	1
371	N/A	2365811796P	IC LINEAR(SMD)	GM1117-2.5ST3 SOT-223 GAMA	I101 RB	1
372	N/A	2365811196P	IC LINEAR(SMD)	AP1117E25LA SOT-223 AnaChip	I101 RC	1
373	N/A	2365335496P	LINEAR IC	AMC1117-2.5SKFT SOT-223 ADD	I101 RD	1
374	N/A	2365335546P	LINEAR IC	APE1117K25 SOT-223 APEC	I101 RE	1
375	E-0000916	2360501596P	FET P-CH SMD	AO4405 SO-8 AOS	I100 RA	1
376	E-0000915	2360501196P	FET P-CH SMD	AP9435GM SO-8 APEC	I100 RB	1
377	E-00003529	2360501796P	FET P-CH SMD	APM9435KC SO-8 Anpec	I100 RC	1
378	N/A	2360502596P	FET P-CH SMD	STM9435 SO-8 SamHop	I100 RD	1
379	N/A	2360502796P	FET P-CH SMD	SPP9435S8RG SOP-8P SYNC	I100 RE	1
380	N/A	2419200149P	CONT BLOCK	ViewSonic N3250wb-G China	H901	1
381	N/A	2363704800P	LED	LED 3φ BLU/ORG	D701	1
382	N/A	2364600496P	DIODE,SWITCH SMD	MM4148 SOD80C GRANDE	D139 RA	1
383	E-00003534	2363600696P	DIODE,SWITCH	RLS4148-T11 LL-34 ROHM	D139 RB	1
384	E-D-0403-1892	2364200896P	DIODE,RECT(SMD)	BAS32L SOD80C PHILIPS	D139 RC	1
385	E-00003830	2364601396P	DIODE,SWITCH SMD	1N4148W-7-F SOD-123 DIODES	D139 RD	1
386	N/A	2364600496P	DIODE,SWITCH SMD	MM4148 SOD80C GRANDE	D138 RA	1
387	E-00003534	2363600696P	DIODE,SWITCH	RLS4148-T11 LL-34 ROHM	D138 RB	1
388	E-D-0403-1892	2364200896P	DIODE,RECT(SMD)	BAS32L SOD80C PHILIPS	D138 RC	1
389	E-00003830	2364601396P	DIODE,SWITCH SMD	1N4148W-7-F SOD-123 DIODES	D138 RD	1
390	E-D-0403-1779	2364503996P	DIODE,ZENER SMD	BZV55-C5V6 5% SOD-80C PHILIPS	D128 RA	1
391	E-D-0403-2808	2364505616P	DIODE,ZENER SMD	TZMC5V6 SOD-80 5.2-6.0V VISHAY	D128 RB	1
392	E-D-0403-1666	2364500396P	DIODE,ZENER SMD	RLZ5.6B 5.45-5.73V LL-34 ROHM	D128 RC	1
393	E-D-0403-1779	2364503996P	DIODE,ZENER SMD	BZV55-C5V6 5% SOD-80C PHILIPS	D127 RA	1
394	E-D-0403-2808	2364505616P	DIODE,ZENER SMD	TZMC5V6 SOD-80 5.2-6.0V VISHAY	D127 RB	1
395	E-D-0403-1666	2364500396P	DIODE,ZENER SMD	RLZ5.6B 5.45-5.73V LL-34 ROHM	D127 RC	1
396	E-D-0403-1779	2364503996P	DIODE,ZENER SMD	BZV55-C5V6 5% SOD-80C PHILIPS	D126 RA	1
397	E-D-0403-2808	2364505616P	DIODE,ZENER SMD	TZMC5V6 SOD-80 5.2-6.0V VISHAY	D126 RB	1
398	E-D-0403-1666	2364500396P	DIODE,ZENER SMD	RLZ5.6B 5.45-5.73V LL-34 ROHM	D126 RC	1
399	E-D-0403-1779	2364503996P	DIODE,ZENER SMD	BZV55-C5V6 5% SOD-80C PHILIPS	D125 RA	1
400	E-D-0403-2808	2364505616P	DIODE,ZENER SMD	TZMC5V6 SOD-80 5.2-6.0V VISHAY	D125 RB	1
401	E-D-0403-1666	2364500396P	DIODE,ZENER SMD	RLZ5.6B 5.45-5.73V LL-34 ROHM	D125 RC	1
402	E-D-0403-1779	2364503996P	DIODE,ZENER SMD	BZV55-C5V6 5% SOD-80C PHILIPS	D124 RA	1
403	E-D-0403-2808	2364505616P	DIODE,ZENER SMD	TZMC5V6 SOD-80 5.2-6.0V VISHAY	D124 RB	1
404	E-D-0403-1666	2364500396P	DIODE,ZENER SMD	RLZ5.6B 5.45-5.73V LL-34 ROHM	D124 RC	1
405	E-D-0403-1779	2364503996P	DIODE,ZENER SMD	BZV55-C5V6 5% SOD-80C PHILIPS	D123 RA	1
406	E-D-0403-2808	2364505616P	DIODE,ZENER SMD	TZMC5V6 SOD-80 5.2-6.0V VISHAY	D123 RB	1
407	E-D-0403-1666	2364500396P	DIODE,ZENER SMD	RLZ5.6B 5.45-5.73V LL-34 ROHM	D123 RC	1
408	E-D-0403-1779	2364503996P	DIODE,ZENER SMD	BZV55-C5V6 5% SOD-80C PHILIPS	D119 RA	1
409	E-D-0403-2808	2364505616P	DIODE,ZENER SMD	TZMC5V6 SOD-80 5.2-6.0V VISHAY	D119 RB	1
410	E-D-0403-1666	2364500396P	DIODE,ZENER SMD	RLZ5.6B 5.45-5.73V LL-34 ROHM	D119 RC	1
411	N/A	2364303196P	DIODE,SCHOTTKY(SMD)	SM120A SOD-214AC SECOS	D116 RA	1
412	N/A	2364302496P	DIODE,SCHOTTKY(SMD)	SM17 DO-214AC MOSPEC	D116 RB	1
413	N/A	2364303196P	DIODE,SCHOTTKY(SMD)	SM120A SOD-214AC SECOS	D115 RA	1
414	N/A	2364302496P	DIODE,SCHOTTKY(SMD)	SM17 DO-214AC MOSPEC	D115 RB	1
415	N/A	2364600496P	DIODE,SWITCH SMD	MM4148 SOD80C GRANDE	D109 RA	1
416	E-00003534	2363600696P	DIODE,SWITCH	RLS4148-T11 LL-34 ROHM	D109 RB	1
417	E-D-0403-1892	2364200896P	DIODE,RECT(SMD)	BAS32L SOD80C PHILIPS	D109 RC	1
418	E-00003830	2364601396P	DIODE,SWITCH SMD	1N4148W-7-F SOD-123 DIODES	D109 RD	1
419	E-D-0403-1779	2364503996P	DIODE,ZENER SMD	BZV55-C5V6 5% SOD-80C PHILIPS	D108 RA	1
420	E-D-0403-2808	2364505616P	DIODE,ZENER SMD	TZMC5V6 SOD-80 5.2-6.0V VISHAY	D108 RB	1
421	E-D-0403-1666	2364500396P	DIODE,ZENER SMD	RLZ5.6B 5.45-5.73V LL-34 ROHM	D108 RC	1
422	E-D-0403-1779	2364503996P	DIODE,ZENER SMD	BZV55-C5V6 5% SOD-80C PHILIPS	D107 RA	1
423	E-D-0403-2808	2364505616P	DIODE,ZENER SMD	TZMC5V6 SOD-80 5.2-6.0V VISHAY	D107 RB	1
424	E-D-0403-1666	2364500396P	DIODE,ZENER SMD	RLZ5.6B 5.45-5.73V LL-34 ROHM	D107 RC	1
425	N/A	2364600496P	DIODE,SWITCH SMD	MM4148 SOD80C GRANDE	D106 RA	1
426	E-00003534	2363600696P	DIODE,SWITCH	RLS4148-T11 LL-34 ROHM	D106 RB	1
427	E-D-0403-1892	2364200896P	DIODE,RECT(SMD)	BAS32L SOD80C PHILIPS	D106 RC	1
428	E-00003830	2364601396P	DIODE,SWITCH SMD	1N4148W-7-F SOD-123 DIODES	D106 RD	1
429	E-D-0403-1779	2364503996P	DIODE,ZENER SMD	BZV55-C5V6 5% SOD-80C PHILIPS	D105 RA	1
430	E-D-0403-2808	2364505616P	DIODE,ZENER SMD	TZMC5V6 SOD-80 5.2-6.0V VISHAY	D105 RB	1
431	E-D-0403-1666	2364500396P	DIODE,ZENER SMD	RLZ5.6B 5.45-5.73V LL-34 ROHM	D105 RC	1

Item	ViewSonic P/N	Ref. P/N	Description	Location	Universal number#	Q'ty
432	E-D-0403-1779	2364503996P	DIODE,ZENER SMD	BZV55-C5V6 5% SOD-80C PHILIPS	D104 RA	1
433	E-D-0403-2808	2364505616P	DIODE,ZENER SMD	TZMCSV6 SOD-80 5.2-6.0V VISHAY	D104 RB	1
434	E-D-0403-1666	2364500396P	DIODE,ZENER SMD	RLZ5.6B 5.45-5.73V LL-34 ROHM	D104 RC	1
435	N/A	2364601096P	DIODE,SWITCH SMD	BAV99 SOT-23 PHILIPS	D103 RA	1
436	N/A	2364600996P	DIODE,SWITCH SMD	BAV99 SOT23 DIODES	D103 RB	1
437	N/A	2364601096P	DIODE,SWITCH SMD	BAV99 SOT-23 PHILIPS	D102 RA	1
438	N/A	2364600996P	DIODE,SWITCH SMD	BAV99 SOT23 DIODES	D102 RB	1
439	N/A	2364601096P	DIODE,SWITCH SMD	BAV99 SOT-23 PHILIPS	D101 RA	1
440	N/A	2364600996P	DIODE,SWITCH SMD	BAV99 SOT23 DIODES	D101 RB	1
441	E-D-0403-1779	2364503996P	DIODE,ZENER SMD	BZV55-C5V6 5% SOD-80C PHILIPS	D100 RA	1
442	E-D-0403-2808	2364505616P	DIODE,ZENER SMD	TZMCSV6 SOD-80 5.2-6.0V VISHAY	D100 RB	1
443	E-D-0403-1666	2364500396P	DIODE,ZENER SMD	RLZ5.6B 5.45-5.73V LL-34 ROHM	D100 RC	1
444	N/A	2336610613P	CAP MINI ELE 105°C	EC 10u/ 50V 5*7 P=2.5 T	C652	1
445	N/A	2336610613P	CAP MINI ELE 105°C	EC 10u/ 50V 5*7 P=2.5 T	C651	1
446	E-C-0404-4828	2341110196P	CAP CHIP TEMPERATURE 125°C	CS 0603/COG/50V 100p J T	C648	11
447	E-C-0404-4828	2341110196P	CAP CHIP TEMPERATURE 125°C	CS 0603/COG/50V 100p J T	C647	1
448	N/A	2336610613P	CAP MINI ELE 105°C	EC 10u/ 50V 5*7 P=2.5 T	C646	1
449	N/A	2341110296P	CAP CHIP TEMPERATURE 125°C	CS 0603/COG/50V 1000p J T	C645	1
450	E-00008342	2346110496P	CAP CHIP	CS 0603/X7R/50V 0.1u K T	C644	1
451	N/A	2341133196P	CAP CHIP TEMPERATURE 125°C	CS 0603/COG/50V 330p J T	C643	1
452	N/A	2336610613P	CAP MINI ELE 105°C	EC 10u/ 50V 5*7 P=2.5 T	C642	1
453	E-00008342	2346110496P	CAP CHIP	CS 0603/X7R/50V 0.1u K T	C641	1
454	N/A	2336610613P	CAP MINI ELE 105°C	EC 10u/ 50V 5*7 P=2.5 T	C640	1
455	E-C-0404-4423	2341122096P	CAP CHIP TEMPERATURE 125°C	CS 0603/COG/50V 22p J T	C639	1
456	E-C-0404-4423	2341122096P	CAP CHIP TEMPERATURE 125°C	CS 0603/COG/50V 22p J T	C638	1
457	E-C-0404-4423	2341122096P	CAP CHIP TEMPERATURE 125°C	CS 0603/COG/50V 22p J T	C637	1
458	E-C-0404-4423	2341122096P	CAP CHIP TEMPERATURE 125°C	CS 0603/COG/50V 22p J T	C636	1
459	E-00008342	2346110496P	CAP CHIP	CS 0603/X7R/50V 0.1u K T	C635	1
460	N/A	2349133496P	CAP CHIP	CS 1206/X7R/50V 0.33u K T	C634	1
461	N/A	2349133496P	CAP CHIP	CS 1206/X7R/50V 0.33u K T	C633	1
462	N/A	2347122496P	CAP CHIP	CS 0805/X7R/50V 0.22u K T	C616	1
463	N/A	2347122496P	CAP CHIP	CS 0805/X7R/50V 0.22u K T	C615	1
464	N/A	2333647513P	CAP ELE 105°C	EC 4.7u/ 50V 5*11 P=2.5 T	C614	1
465	N/A	2333647513P	CAP ELE 105°C	EC 4.7u/ 50V 5*11 P=2.5 T	C613	1
466	N/A	2347210596P	CAP CHIP	CS 0805/X7R/25V 1.0u K T	C612	1
467	N/A	2336610613P	CAP MINI ELE 105°C	EC 10u/ 50V 5*7 P=2.5 T	C611	1
468	N/A	2347210596P	CAP CHIP	CS 0805/X7R/25V 1.0u K T	C610	1
469	N/A	2347210596P	CAP CHIP	CS 0805/X7R/25V 1.0u K T	C609	1
470	N/A	2347210596P	CAP CHIP	CS 0805/X7R/25V 1.0u K T	C608	1
471	E-00008342	2346110496P	CAP CHIP	CS 0603/X7R/50V 0.1u K T	C607	1
472	N/A	2333647513P	CAP ELE 105°C	EC 4.7u/ 50V 5*11 P=2.5 T	C606	1
473	N/A	2333647513P	CAP ELE 105°C	EC 4.7u/ 50V 5*11 P=2.5 T	C605	1
474	N/A	2347122496P	CAP CHIP	CS 0805/X7R/50V 0.22u K T	C604	1
475	N/A	2347122496P	CAP CHIP	CS 0805/X7R/50V 0.22u K T	C603	1
476	E-00008342	2346110496P	CAP CHIP	CS 0603/X7R/50V 0.1u K T	C602	1
477	N/A	2333510801P	CAP ELE 105°C	EC 1000u/ 35V13*25 P=5.0 C	C601	1
478	E-C-0404-4424	2346110396P	CAP CHIP	CS 0603/X7R/50V 0.01u K T	C510	1
479	E-C-0404-4424	2346110396P	CAP CHIP	CS 0603/X7R/50V 0.01u K T	C509	1
480	N/A	2333647513P	CAP ELE 105°C	EC 4.7u/ 50V 5*11 P=2.5 T	C508	1
481	N/A	2341156196P	CAP CHIP TEMPERATURE 125°C	CS 0603/COG/50V 560p J T	C507	1
482	N/A	2341133196P	CAP CHIP TEMPERATURE 125°C	CS 0603/COG/50V 330p J T	C506	1
483	N/A	2333647513P	CAP ELE 105°C	EC 4.7u/ 50V 5*11 P=2.5 T	C505	1
484	N/A	2341156196P	CAP CHIP TEMPERATURE 125°C	CS 0603/COG/50V 560p J T	C504	1
485	N/A	2341133196P	CAP CHIP TEMPERATURE 125°C	CS 0603/COG/50V 330p J T	C503	1
486	E-00008342	2346110496P	CAP CHIP	CS 0603/X7R/50V 0.1u K T	C502	1
487	E-00009999	2336347613P	CAP MINI ELE 105°C	EC 47u/ 16V 5*7 P=2.5 T	C501	1
488	E-00009999	2336347613P	CAP MINI ELE 105°C	EC 47u/ 16V 5*7 P=2.5 T	C500	1
489	E-00008342	2346110496P	CAP CHIP	CS 0603/X7R/50V 0.1u K T	C498	1
490	E-00008342	2346110496P	CAP CHIP	CS 0603/X7R/50V 0.1u K T	C497	1
491	E-00008342	2346110496P	CAP CHIP	CS 0603/X7R/50V 0.1u K T	C485	1
492	N/A	2333622613P	CAP ELE 105°C	EC 22u/ 50V 5*11 P=2.5 T	C484	1
493	N/A	2336610613P	CAP MINI ELE 105°C	EC 10u/ 50V 5*7 P=2.5 T	C483	1
494	N/A	2333622613P	CAP ELE 105°C	EC 22u/ 50V 5*11 P=2.5 T	C482	1
495	N/A	2333622613P	CAP ELE 105°C	EC 22u/ 50V 5*11 P=2.5 T	C481	1
496	E-00008342	2346110496P	CAP CHIP	CS 0603/X7R/50V 0.1u K T	C480	1
497	E-C-0404-3096	2335310812P	CAP ELE LOW ESR 105°C	EC 1000u/ 16V 10*20 P=5.0 K	C479	1
498	E-C-0404-4424	2346110396P	CAP CHIP	CS 0603/X7R/50V 0.01u K T	C473	1
499	E-00009999	2336347613P	CAP MINI ELE 105°C	EC 47u/ 16V 5*7 P=2.5 T	C444	1
500	E-00009999	2336347613P	CAP MINI ELE 105°C	EC 47u/ 16V 5*7 P=2.5 T	C437	1
501	E-00008342	2346110496P	CAP CHIP	CS 0603/X7R/50V 0.1u K T	C413	1
502	E-00008342	2346110496P	CAP CHIP	CS 0603/X7R/50V 0.1u K T	C412	1
503	E-00008342	2346110496P	CAP CHIP	CS 0603/X7R/50V 0.1u K T	C411	1
504	E-00008342	2346110496P	CAP CHIP	CS 0603/X7R/50V 0.1u K T	C410	1
505	E-00008342	2346110496P	CAP CHIP	CS 0603/X7R/50V 0.1u K T	C409	1
506	E-00008342	2346110496P	CAP CHIP	CS 0603/X7R/50V 0.1u K T	C408	1
507	N/A	2341147196P	CAP CHIP TEMPERATURE 125°C	CS 0603/COG/50V 470p J T	C407	1
508	E-00008342	2346110496P	CAP CHIP	CS 0603/X7R/50V 0.1u K T	C406	1
509	E-00009999	2336347613P	CAP MINI ELE 105°C	EC 47u/ 16V 5*7 P=2.5 T	C405	1
510	E-00008342	2346110496P	CAP CHIP	CS 0603/X7R/50V 0.1u K T	C404	1
511	E-00008342	2346110496P	CAP CHIP	CS 0603/X7R/50V 0.1u K T	C403	1
512	E-00008342	2346110496P	CAP CHIP	CS 0603/X7R/50V 0.1u K T	C402	1
513	E-00008342	2346110496P	CAP CHIP	CS 0603/X7R/50V 0.1u K T	C401	1
514	E-00008342	2346110496P	CAP CHIP	CS 0603/X7R/50V 0.1u K T	C400	1
515	E-00008342	2346110496P	CAP CHIP	CS 0603/X7R/50V 0.1u K T	C399	1
516	E-00008342	2346110496P	CAP CHIP	CS 0603/X7R/50V 0.1u K T	C398	1
517	E-00008342	2346110496P	CAP CHIP	CS 0603/X7R/50V 0.1u K T	C397	1
518	E-00008342	2346110496P	CAP CHIP	CS 0603/X7R/50V 0.1u K T	C396	1

Item	ViewSonic P/N	Ref. P/N	Description	Location	Universal number#	Q'ty
519	N/A	2341110296P	CAP CHIP TEMPERATURE 125°C	CS 0603/COG/50V 1000p J T	C394	1
520	E-00008342	2346110496P	CAP CHIP	CS 0603/X7R/50V 0.1u K T	C393	1
521	E-00008342	2346110496P	CAP CHIP	CS 0603/X7R/50V 0.1u K T	C391	1
522	E-00008342	2346110496P	CAP CHIP	CS 0603/X7R/50V 0.1u K T	C390	1
523	E-00008342	2346110496P	CAP CHIP	CS 0603/X7R/50V 0.1u K T	C387	1
524	N/A	2341110296P	CAP CHIP TEMPERATURE 125°C	CS 0603/COG/50V 1000p J T	C386	1
525	E-00008342	2346110496P	CAP CHIP	CS 0603/X7R/50V 0.1u K T	C381	1
526	E-00008342	2346110496P	CAP CHIP	CS 0603/X7R/50V 0.1u K T	C380	1
527	E-00008342	2346110496P	CAP CHIP	CS 0603/X7R/50V 0.1u K T	C379	1
528	N/A	233647513P	CAP ELE 105°C	EC 4.7u/ 50V 5*11 P=2.5 T	C378	1
529	E-00008342	2346110496P	CAP CHIP	CS 0603/X7R/50V 0.1u K T	C377	1
530	E-00008342	2346110496P	CAP CHIP	CS 0603/X7R/50V 0.1u K T	C376	1
531	N/A	2336610613P	CAP MINI ELE 105°C	EC 10u/ 50V 5*7 P=2.5 T	C375	1
532	N/A	2341127096P	CAP CHIP TEMPERATURE 125°C	CS 0603/COG/50V 27p J T	C374	1
533	N/A	2341127096P	CAP CHIP TEMPERATURE 125°C	CS 0603/COG/50V 27p J T	C373	1
534	E-00008342	2346110496P	CAP CHIP	CS 0603/X7R/50V 0.1u K T	C372	1
535	E-00008342	2346110496P	CAP CHIP	CS 0603/X7R/50V 0.1u K T	C371	1
536	N/A	2336610613P	CAP MINI ELE 105°C	EC 10u/ 50V 5*7 P=2.5 T	C370	1
537	E-00008342	2346110496P	CAP CHIP	CS 0603/X7R/50V 0.1u K T	C309	1
538	E-00008342	2346110496P	CAP CHIP	CS 0603/X7R/50V 0.1u K T	C306	1
539	N/A	2346147396P	CAP CHIP	CS 0603/X7R/50V 0.047u K T	C305	1
540	N/A	2346147396P	CAP CHIP	CS 0603/X7R/50V 0.047u K T	C302	1
541	E-00009999	2336347613P	CAP MINI ELE 105°C	EC 47u/ 16V 5*7 P=2.5 T	C301	1
542	E-00008342	2346110496P	CAP CHIP	CS 0603/X7R/50V 0.1u K T	C300	1
543	E-C-0404-3096	2335310812P	CAP ELE LOW ESR 105°C	EC 1000u/ 16V 10*20 P=5.0 K	C296	1
544	E-00008342	2346110496P	CAP CHIP	CS 0603/X7R/50V 0.1u K T	C295	1
545	E-00009999	2336347613P	CAP MINI ELE 105°C	EC 47u/ 16V 5*7 P=2.5 T	C294	1
546	E-00008342	2346110496P	CAP CHIP	CS 0603/X7R/50V 0.1u K T	C293	1
547	N/A	2341133196P	CAP CHIP TEMPERATURE 125°C	CS 0603/COG/50V 330p J T	C241	1
548	N/A	2341133196P	CAP CHIP TEMPERATURE 125°C	CS 0603/COG/50V 330p J T	C240	1
549	N/A	2341156196P	CAP CHIP TEMPERATURE 125°C	CS 0603/COG/50V 560p J T	C239	1
550	N/A	2341156196P	CAP CHIP TEMPERATURE 125°C	CS 0603/COG/50V 560p J T	C238	1
551	N/A	233647513P	CAP ELE 105°C	EC 4.7u/ 50V 5*11 P=2.5 T	C237	1
552	N/A	233647513P	CAP ELE 105°C	EC 4.7u/ 50V 5*11 P=2.5 T	C236	1
553	N/A	2341110296P	CAP CHIP TEMPERATURE 125°C	CS 0603/COG/50V 1000p J T	C235	1
554	N/A	2341110296P	CAP CHIP TEMPERATURE 125°C	CS 0603/COG/50V 1000p J T	C234	1
555	N/A	2341110296P	CAP CHIP TEMPERATURE 125°C	CS 0603/COG/50V 1000p J T	C232	1
556	N/A	2341110296P	CAP CHIP TEMPERATURE 125°C	CS 0603/COG/50V 1000p J T	C231	1
557	N/A	2341156196P	CAP CHIP TEMPERATURE 125°C	CS 0603/COG/50V 560p J T	C230	1
558	N/A	2341133196P	CAP CHIP TEMPERATURE 125°C	CS 0603/COG/50V 330p J T	C229	1
559	N/A	233647513P	CAP ELE 105°C	EC 4.7u/ 50V 5*11 P=2.5 T	C227	1
560	N/A	2341156196P	CAP CHIP TEMPERATURE 125°C	CS 0603/COG/50V 560p J T	C226	1
561	N/A	2341133196P	CAP CHIP TEMPERATURE 125°C	CS 0603/COG/50V 330p J T	C225	1
562	N/A	233647513P	CAP ELE 105°C	EC 4.7u/ 50V 5*11 P=2.5 T	C224	1
563	E-00008342	2346110496P	CAP CHIP	CS 0603/X7R/50V 0.1u K T	C222	1
564	E-00008342	2346110496P	CAP CHIP	CS 0603/X7R/50V 0.1u K T	C220	1
565	N/A	2347210596P	CAP CHIP	CS 0805/X7R/25V 1.0u K T	C218	1
566	N/A	2346147396P	CAP CHIP	CS 0603/X7R/50V 0.047u K T	C217	1
567	N/A	2346147396P	CAP CHIP	CS 0603/X7R/50V 0.047u K T	C216	1
568	N/A	2346147396P	CAP CHIP	CS 0603/X7R/50V 0.047u K T	C211	1
569	N/A	2346147396P	CAP CHIP	CS 0603/X7R/50V 0.047u K T	C209	1
570	N/A	2346147396P	CAP CHIP	CS 0603/X7R/50V 0.047u K T	C207	1
571	N/A	2346147396P	CAP CHIP	CS 0603/X7R/50V 0.047u K T	C206	1
572	N/A	2346147396P	CAP CHIP	CS 0603/X7R/50V 0.047u K T	C205	1
573	N/A	2346147396P	CAP CHIP	CS 0603/X7R/50V 0.047u K T	C204	1
574	N/A	2341110296P	CAP CHIP TEMPERATURE 125°C	CS 0603/COG/50V 1000p J T	C200	1
575	N/A	2346147396P	CAP CHIP	CS 0603/X7R/50V 0.047u K T	C199	1
576	N/A	2346147396P	CAP CHIP	CS 0603/X7R/50V 0.047u K T	C198	1
577	N/A	2346147396P	CAP CHIP	CS 0603/X7R/50V 0.047u K T	C197	1
578	E-00008342	2346110496P	CAP CHIP	CS 0603/X7R/50V 0.1u K T	C177	1
579	E-00008342	2346110496P	CAP CHIP	CS 0603/X7R/50V 0.1u K T	C176	1
580	E-00008342	2346110496P	CAP CHIP	CS 0603/X7R/50V 0.1u K T	C175	1
581	E-00008342	2346110496P	CAP CHIP	CS 0603/X7R/50V 0.1u K T	C174	1
582	N/A	2346147396P	CAP CHIP	CS 0603/X7R/50V 0.047u K T	C173	1
583	N/A	2346147396P	CAP CHIP	CS 0603/X7R/50V 0.047u K T	C172	1
584	N/A	2346147396P	CAP CHIP	CS 0603/X7R/50V 0.047u K T	C171	1
585	N/A	2341110296P	CAP CHIP TEMPERATURE 125°C	CS 0603/COG/50V 1000p J T	C170	1
586	N/A	2346147396P	CAP CHIP	CS 0603/X7R/50V 0.047u K T	C169	1
587	N/A	2346147396P	CAP CHIP	CS 0603/X7R/50V 0.047u K T	C168	1
588	N/A	2346147396P	CAP CHIP	CS 0603/X7R/50V 0.047u K T	C167	1
589	E-00008342	2346110496P	CAP CHIP	CS 0603/X7R/50V 0.1u K T	C165	1
590	E-00008342	2346110496P	CAP CHIP	CS 0603/X7R/50V 0.1u K T	C164	1
591	N/A	2336347713P	CAP MINI ELE 105°C	EC 470u/ 16V 8*9 P=5.0 T	C163	1
592	E-00008342	2346110496P	CAP CHIP	CS 0603/X7R/50V 0.1u K T	C162	1
593	N/A	2336610613P	CAP MINI ELE 105°C	EC 10u/ 50V 5*7 P=2.5 T	C161	1
594	E-00008342	2346110496P	CAP CHIP	CS 0603/X7R/50V 0.1u K T	C160	1
595	N/A	2336347713P	CAP MINI ELE 105°C	EC 470u/ 16V 8*9 P=5.0 T	C159	1
596	E-00008342	2346110496P	CAP CHIP	CS 0603/X7R/50V 0.1u K T	C158	1
597	N/A	2336610613P	CAP MINI ELE 105°C	EC 10u/ 50V 5*7 P=2.5 T	C157	1
598	E-00008342	2346110496P	CAP CHIP	CS 0603/X7R/50V 0.1u K T	C156	1
599	E-00008342	2346110496P	CAP CHIP	CS 0603/X7R/50V 0.1u K T	C155	1
600	E-00008342	2346110496P	CAP CHIP	CS 0603/X7R/50V 0.1u K T	C154	1
601	E-00008342	2346110496P	CAP CHIP	CS 0603/X7R/50V 0.1u K T	C153	1
602	E-00008342	2346110496P	CAP CHIP	CS 0603/X7R/50V 0.1u K T	C152	1
603	N/A	2336347713P	CAP MINI ELE 105°C	EC 470u/ 16V 8*9 P=5.0 T	C151	1
604	E-00008342	2346110496P	CAP CHIP	CS 0603/X7R/50V 0.1u K T	C150	1
605	E-00008342	2346110496P	CAP CHIP	CS 0603/X7R/50V 0.1u K T	C149	1

Item	ViewSonic P/N	Ref. P/N	Description		Location	Universal number#	Q'ty
606	N/A	2336610613P	CAP MINI ELE 105°C	EC 10u/ 50V 5*7 P=2.5 T	C148		1
607	E-00008342	2346110496P	CAP CHIP	CS 0603/X7R/50V 0.1u K T	C147		1
608	N/A	2336610613P	CAP MINI ELE 105°C	EC 10u/ 50V 5*7 P=2.5 T	C146		1
609	E-00008342	2346110496P	CAP CHIP	CS 0603/X7R/50V 0.1u K T	C145		1
610	E-00008342	2346110496P	CAP CHIP	CS 0603/X7R/50V 0.1u K T	C144		1
611	E-00008342	2346110496P	CAP CHIP	CS 0603/X7R/50V 0.1u K T	C143		1
612	E-00008342	2346110496P	CAP CHIP	CS 0603/X7R/50V 0.1u K T	C142		1
613	E-00008342	2346110496P	CAP CHIP	CS 0603/X7R/50V 0.1u K T	C141		1
614	E-00008342	2346110496P	CAP CHIP	CS 0603/X7R/50V 0.1u K T	C140		1
615	E-00008342	2346110496P	CAP CHIP	CS 0603/X7R/50V 0.1u K T	C139		1
616	E-00008342	2346110496P	CAP CHIP	CS 0603/X7R/50V 0.1u K T	C138		1
617	N/A	2336347713P	CAP MINI ELE 105°C	EC 470u/ 16V 8*9 P=5.0 T	C137		1
618	E-00008342	2346110496P	CAP CHIP	CS 0603/X7R/50V 0.1u K T	C136		1
619	E-00008342	2346110496P	CAP CHIP	CS 0603/X7R/50V 0.1u K T	C135		1
620	E-00008342	2346110496P	CAP CHIP	CS 0603/X7R/50V 0.1u K T	C134		1
621	E-00008342	2346110496P	CAP CHIP	CS 0603/X7R/50V 0.1u K T	C133		1
622	N/A	2336610613P	CAP MINI ELE 105°C	EC 10u/ 50V 5*7 P=2.5 T	C132		1
623	E-00009999	2336347613P	CAP MINI ELE 105°C	EC 47u/ 16V 5*7 P=2.5 T	C131		1
624	N/A	2336322713P	CAP MINI ELE 105°C	EC 220u/ 16V 8*7 P=5.0 T	C130		1
625	E-00008342	2346110496P	CAP CHIP	CS 0603/X7R/50V 0.1u K T	C129		1
626	N/A	2336322713P	CAP MINI ELE 105°C	EC 220u/ 16V 8*7 P=5.0 T	C128		1
627	E-00008342	2346110496P	CAP CHIP	CS 0603/X7R/50V 0.1u K T	C127		1
628	N/A	2336322713P	CAP MINI ELE 105°C	EC 220u/ 16V 8*7 P=5.0 T	C126		1
629	E-00008342	2346110496P	CAP CHIP	CS 0603/X7R/50V 0.1u K T	C125		1
630	E-00008342	2346110496P	CAP CHIP	CS 0603/X7R/50V 0.1u K T	C124		1
631	N/A	2336322713P	CAP MINI ELE 105°C	EC 220u/ 16V 8*7 P=5.0 T	C123		1
632	N/A	2336610613P	CAP MINI ELE 105°C	EC 10u/ 50V 5*7 P=2.5 T	C122		1
633	E-00008342	2346110496P	CAP CHIP	CS 0603/X7R/50V 0.1u K T	C121		1
634	E-00008342	2346110496P	CAP CHIP	CS 0603/X7R/50V 0.1u K T	C120		1
635	E-00008342	2346110496P	CAP CHIP	CS 0603/X7R/50V 0.1u K T	C119		1
636	E-00008342	2346110496P	CAP CHIP	CS 0603/X7R/50V 0.1u K T	C118		1
637	E-00008342	2346110496P	CAP CHIP	CS 0603/X7R/50V 0.1u K T	C117		1
638	N/A	2336347713P	CAP MINI ELE 105°C	EC 470u/ 16V 8*9 P=5.0 T	C116		1
639	E-00008342	2346110496P	CAP CHIP	CS 0603/X7R/50V 0.1u K T	C115		1
640	E-C-0404-3096	2335310812P	CAP ELE LOW ESR 105°C	EC 1000u/ 16V 10*20 P=5.0 K	C114		1
641	E-00008342	2346110496P	CAP CHIP	CS 0603/X7R/50V 0.1u K T	C113		1
642	E-00008342	2346110496P	CAP CHIP	CS 0603/X7R/50V 0.1u K T	C112		1
643	N/A	2336322713P	CAP MINI ELE 105°C	EC 220u/ 16V 8*7 P=5.0 T	C111		1
644	N/A	2341110296P	CAP CHIP TEMPERATURE 125°C	CS 0603/COG/50V 1000p J T	C110		1
645	E-00008342	2346110496P	CAP CHIP	CS 0603/X7R/50V 0.1u K T	C109		1
646	N/A	2336322713P	CAP MINI ELE 105°C	EC 220u/ 16V 8*7 P=5.0 T	C108		1
647	E-C-0404-3096	2335310812P	CAP ELE LOW ESR 105°C	EC 1000u/ 16V 10*20 P=5.0 K	C107		1
648	N/A	2347210596P	CAP CHIP	CS 0805/X7R/25V 1.0u K T	C106		1
649	E-00009999	2336347613P	CAP MINI ELE 105°C	EC 47u/ 16V 5*7 P=2.5 T	C105		1
650	N/A	2347210596P	CAP CHIP	CS 0805/X7R/25V 1.0u K T	C104		1
651	E-00008342	2346110496P	CAP CHIP	CS 0603/X7R/50V 0.1u K T	C103		1
652	N/A	2336322713P	CAP MINI ELE 105°C	EC 220u/ 16V 8*7 P=5.0 T	C102		1
653	E-00008342	2346110496P	CAP CHIP	CS 0603/X7R/50V 0.1u K T	C101		1
654	E-00008342	2346110496P	CAP CHIP	CS 0603/X7R/50V 0.1u K T	C100		1
655	A-00008045	2005100500P	BATTERY_DRY	R03UG 1.5V (AAA) TOSHIBA	B901		2
656	N/A	2063451300P	ADHESI SHEET	JC186H PVC 7.5X7.5X3t	9R81		1
657	N/A	2072257200P	HEAT SINK	JP166K AL28*28*8H	9H01		1
658	N/A	2056631001P	SERIAL LABEL	42mmX6.5mm PAPER	6P87		1
659	P-00008064	2013228807P	POLYETHY BAG	200X350X0.03T mm LDPE B5	6P86		1
660	P-00004497	2011100017P	CARTON BOX	360X220X50mm (WXDXH) BOX(B)	6P85		1
661	M-LB-0813-0862	2056606025P	SERIAL LABEL	VS CN WARRANTY CARD SN STICKER	6P83		2
662	N/A	2002370032P	GUARANT CARD	VIEWSONIC WARRANTY CARD-C TV	6P82		1
663	DC-00008435	2002310666P	GUARANT CARD	VIEWSONIC N3250WB(G) QSG	6P81		1
664	DC-00008434	2001131777P	OWNER GUIDE	N3250Wb-G VS11752-1G CHINA	6P80		1
665	P-00008477	2013054013P	POLYETHY BAG	950LX400WX1200H T=0.08MM	6P70		1
666	P-00005968	2013054007P	POLYETHY BAG	870*800MM HDPE BAG	6P60		1
667	N/A	2055135268P	LABEL	N3250Wb-G VS11752-1G CPT CHINA	6P50		1
668	N/A	2063302100P	PROTECTOR	735x430x0.075mm 32"	6P30		1
669	P-00008438	2012199970P	POLYFOAM	JC328RV/VE EPS DOWN-L	6P23		1
670	P-00008437	2012199960P	POLYFOAM	JC328RV/VE EPS DOWN-R	6P22		1
671	P-00008436	2012199950P	POLYFOAM	JC328RV/VE EPS TOP-L	6P21		1
672	P-00008435	2012199940P	POLYFOAM	JC328RV/VE EPS TOP-R	6P20		1
673	M-LB-0813-0864	2056606009P	SERIAL LABEL	VIEWSONIC SERVICE STICKER-G	6P15		1
674	M-LB-0813-0959	2055613392P	LABEL	VSC HIGH VOLTAGE WARNING LABEL	6P14		1
675	M-LB-0813-0530	2055617101P	LABEL	10*20 HI-POT TESTED OK	6P13		1
676	M-LB-0813-0863	2056606010P	SERIAL LABEL	VIEWSONIC BOX STICKER-G	6P12		1
677	M-LB-0813-0856	2055613379P	LABEL	VIEWSONIC CONTAINER LABEL	6P11		0.166
678	M-LB-0813-0984	2002201323P	DISPLAY CARD	VIEWSONIC CRT QUALIFIED LABEL	6P09		1
679	N/A	2055636075P	LABEL	N3250Wb-G VS11752-1G SMA11 LABEL	6P05		1
680	N/A	2055613507P	LABEL	VIEWSONIC HDMI STICKER 427C 43X12.5mm	6P04		1
681	N/A	2055632260P	LABEL	N3250Wb-G VS11752-1G (G) CPT	6P02		1
682	P-00008488	2011132802P	CARTON BOX	VIEWSONIC N3250Wb-G VS11752-1G	6P01		1
683	N/A	2039802304P	FOOT PAD	CRø16.5X7.3/BLACK	5B09		4
684	N/A	2082750402P	SCREW BND+	M5X40,M,P,ZN-CC	5B08		4
685	MULTIPLE MATCH	2084740082P	SCREW BND T+	M4X8(BND T+)	5B05		8
686	PL-00008143	2028260102P	STAND	26E ABS 94HB BLACK C	5B04		1
687	HW-00008152	2083740122P	SCREW BND T+	SCREW_BND T+ M4*12 (BND T+)	5B03		4
688	N/A	2071875400P	BRACKET FIX	JC268FE SECC T=1.2mm STAND	5B02		1
689	HW-00008151	2028557202P	NECK	ABS 94HB BLACK	5B01		1
690	N/A	2080005900P	SCREW SPE	M6*10MM TYPE"1" BLACK ZN	2C17		6
691	N/A	2082340082P	SCREW CSK+	SCREW CSK+ M4x8	2C14		3
692	N/A	2084740104P	SCREW BND T+	M4X10(BND T+) (BLK)	2C12		14

Item	ViewSonic P/N	Ref. P/N	Description	Location	Universal number#	Q'ty
693	M-SCW-0824-0812	2084730062P	SCREW BND T+	M3X6(BND T+)	2C03	2
694	N/A	2071887500P	BRACKET FIX	32R ARM-BRACKET SECC T=2.0mm	2C02	2
695	N/A	2022273102P	CABI BACK	32R ABS HB BLACK (X4U/C)	2C01	1
696	M-SCW-0824-0285	2084730082P	SCREW BND T+	M3X8(BND T+)	1F81	2
697	M-SCW-0824-6719	2082630062P	SCREW	M3X6 P=0.5	1F58	2
698	M-SCW-0824-0285	2084730082P	SCREW BND T+	M3X8(BND T+)	1F57	2
699	N/A	2044272401P	FUNCTION KEY	32R 6KEY HB AL-PLATE	1F56	1
700	C-00008475	2027268801P	DUST COVER	32R 6KEY ABS HB BLACK(MT11010)	1F55	1
701	N/A	2082630042P	SCREW	M3*4 P=0.5	1F52	14
702	N/A	2071972400P	METAL FITTG	SECC T=1.0MM VESA SUPPORT	1F50	1
703	HW-00008057	2071800300P	BRACKET FIX	62*8*3.4 T=0.5MM WITH PVC TUBE	1F41	1
704	N/A	2080040062P	SCREW SPE	M4*8 PMS-3/W	1F39	1
705	M-SCW-0824-0811	2080003700P	SCREW SPE	ISZZTER001A M3*6L MSWR17/FZMYI	1F38	5
706	N/A	2083630068P	SCREW FMS+	M3X6,M,S-TITE,F,ZN	1F37	2
707	C-00008476	2027269601P	DUST COVER	JC32R HB BLACK C (X4U/C)IO SIDE COVER_RIGHT	1F36	1
708	N/A	2080004900P	SCREW SPE	M3*8 T24 F NI	1F35	2
709	M-SCW-0824-6719	2082630062P	SCREW	M3X6 P=0.5	1F34	1
710	M-SCW-0824-0285	2084730082P	SCREW BND T+	M3X8(BND T+)	1F33	3
711	N/A	2082630042P	SCREW	M3*4 P=0.5	1F31	4
712	N/A	2072050708P	METAL FITTG-I/O	32 SECC T=1.0mm (X4U/C)-DOWN	1F30	1
713	N/A	2082630042P	SCREW	M3*4 P=0.5	1F29	3
714	N/A	2072050905P	METAL FITTG-I/O	32 SECC T=1.0mm (X4U/C)-RIGHT	1F28	1
715	M-SCW-0824-0811	2080003700P	SCREW SPE	ISZZTER001A M3*6L MSWR17/FZMYI	1F27	4
716	M-SCW-0824-0811	2080003700P	SCREW SPE	ISZZTER001A M3*6L MSWR17/FZMYI	1F26	4
717	N/A	2082740082P	SCREW BND+	M4X8(BND+)	1F24	6
718	N/A	2071887400P	BRACKET FIX	32R PANEL R/L SECC T=1.0mm	1F23	2
719	M-SCW-0824-0123	2084740102P	SCREW BND T+	M4X10(BND T+)	1F22	5
720	N/A	2082740082P	SCREW BND+	M4X8(BND+)	1F21	4
721	N/A	2071986000P	METAL FITTG	32R SECC T=1.0mm (1/6/7-4U/C)	1F20	1
722	N/A	2051356500P	NAME PLATE	24.6*17MM E015-009-W BIRDS PC	1F14	1
723	N/A	2051355700P	NAME PLATE	57*9.1MM ELECTOR LABEL N3251W	1F13	1
724	M-SCW-0824-0285	2084730082P	SCREW BND T+	M3X8(BND T+)	1F12	2
725	N/A	2044272801P	FUNCTION KEY	32V POWER KEY ABS HB AL-PLATE	1F10	1
726	N/A	2061152500P	FELT	φ20 T=0.4mm NO.5000NS	1F07	10
727	N/A	2080006900P	SCREW SPE	M4*10MM P TYPE:9.1MM	1F06	10
728	N/A	2061451401P	BUSHING	PTR 45 94HB	1F05	10
729	N/A	2032202502P	GRILL	32V ABS HB BLACK 4001C	1F04	1
730	N/A	2033152200P	IR COVER	32R GE-LExAN 121R-BR2DO52T(426C)	1F02	1
731	N/A	2024278002P	FRONT BEZEL	32R ABS HB G.L BLACK (HDMI)	1F01	1
732	N/A	2603607002	BUTTON ASSY	32R 6KEY ABS HB BLACK(MT11010)	26036	1
733	C-00008474	2603407832	CABI BACK ASSY	32R ABS HB BLACK (X4U/C)	26034	1
734	C-00008473	2603308307	BEZEL ASS'Y	32R ABS HB G.L BLACK (HDMI)	26033	1
735	N/A	2504251200P	ADHESI TAPE	24*50*0.02mm BLUE	130	0.264
736	N/A	2504100900P	PLASTIC TAPE	PL-CELLONO.75	129	245
737	N/A	2056601301P	SERIAL LABEL	45X10 PAPER	128	1
738	N/A	2504200700P	ADHESI TAPE	3M 1350(b) 25*80	127	400
739	N/A	2504500200P	FASTENING TAPE	MASKING TAPE,18M/M (WIDTH)	124	567
740	N/A	2055103600P	LABEL	WXH=20.2X3.1MM BLANK ROHS	123	2
741	N/A	2504100800P	PLASTIC TAPE	PL-CELLONO.60	121	2400
742	N/A	2504500200P	FASTENING TAPE	MASKING TAPE,18M/M (WIDTH)	115	10.5
743	N/A	2056670004P	SERIAL LABEL	25*7MM ARTPAPER	111	2
744	N/A	2504100100P	PLASTIC TAPE	PL-CELLONO.13	110	32
745	N/A	2501100800P	SOLDER	M507 YIK SHING TAT	109	1.5
746	N/A	2501900100P	FLUX STOP	FS-1	106	0.8
747	N/A	2501700200P	FLUX	GOLF318 YIK SHING TAT	105	10
748	N/A	2502500200P	CLEANNER	CB-95 (CLEANNER)	104	3
749	N/A	2501100700P	SOLDER	M-507 YIK SHING TAT (STICK)	103	12
750	N/A	2501800100P	THINNER	SS66	101	6

* *Reader's Response* *

Dear Readers:

Thank you in advance for your feedback on our Service Manual, which allows continuous improvement of our products. We would appreciate your completion of the Assessment Matrix below, for return to ViewSonic Corporation.

Assessment

A. What do you think about the content of **this** Service Manual?

<i>Unit</i>	<i>Excellent</i>	<i>Good</i>	<i>Fair</i>	<i>Bad</i>
1. Precautions and Safety Notices				
2. Specification				
3. Front Panel Function Control Description				
4. Circuit Description				
5. Adjustment Procedure				
6. Trouble Shooting Flow Chart				
7. Block Diagram				
8. Schematic Diagrams				
9. PCB Layout Diagrams				
10. Exploded Diagram And Exploded Parts List				
11. Recommended Spare Parts List				

B. Are you satisfied with **this** Service Manual?

<i>Item</i>	<i>Excellent</i>	<i>Good</i>	<i>Fair</i>	<i>Bad</i>
1. Service Manual Content				
2. Service Manual Layout				
3. The form and listing				

C. Do you have any other opinions or suggestions regarding **this** service manual?

Reader's basic data:

Name:		Title:	
Company:			
Add:			
Tel:		Fax:	
E-mail:			

After completing this form, please return it to ViewSonic Quality Assurance in the USA at facsimile 1-909-839-7943. You may also e-mail any suggestions to the Director, Quality Systems & Processes (marc.maupin@viewsonic.com)