

# **Service Manual**

## **ViewSonic N3250w**

**Model No. VS10769-1M**

**LCD TV Display**

**(N3250w-1M\_SM Rev. 1a Oct 2005)**

---

**ViewSonic® 381 Brea Canyon Road, Walnut, California 91789 USA - (800) 888-8583**

## Copyright

Copyright© 2005 by ViewSonic Corporation. All rights reserved. No part of this publication may be reproduced, transmitted, transcribed, stored in a retrieval system, or translated into any language or computer language, in any form or by any means, electronic, mechanical, magnetic, optical, chemical, manual or otherwise, without the prior written permission of ViewSonic Corporation.

## Disclaimer

ViewSonic makes no representations or warranties, either expressed or implied, with respect to the contents hereof and specifically disclaims any warranty of merchantability or fitness for any particular urpose. Further, ViewSonic reserves the right to revise this publication and to make changes from time to time in the contents hereof without obligation of ViewSonic to notify any person of such revision or changes.

## Trademarks

ViewSonic is a registered trademark of ViewSonic Corporation.

All other trademarks used within this document are the property of their respective owners. Optiquest is a registered trademark of ViewSonic Corporation.

## Revision History

Revision	SM Edciting Date	ECR Number	Description of Changes	Editor
1a	10/05/05		Initial Release	N. Lin

## TABLE OF CONTENTS

<b>1.</b>	<b>Precautions and Notices</b>	<b>1</b>
<b>2</b>	<b>Service Tool &amp; Equipment Required</b>	<b>2</b>
<b>3.</b>	<b>Specification</b>	<b>2</b>
<b>4.</b>	<b>Exploded View and Parts List</b>	<b>6</b>
<b>5.</b>	<b>Recommended Spare Parts List</b>	<b>9</b>
<b>6.</b>	<b>Block Diagram</b>	<b>18</b>
<b>7.</b>	<b>Schematic Diagram</b>	<b>19</b>
<b>8.</b>	<b>Working Theorem</b>	<b>32</b>
<b>9.</b>	<b>Wiring Diagram</b>	<b>34</b>
<b>10.</b>	<b>PCB Layout</b>	<b>35</b>
<b>11.</b>	<b>Trouble Shooting Flow Chart</b>	<b>41</b>
<b>12.</b>	<b>Adjustment</b>	<b>45</b>
<b>13</b>	<b>Electrical Parts List</b>	<b>47</b>
<b>14.</b>	<b>Appendix</b>	<b>63</b>

# 1. PRECAUTION AND NOTICES

## 1.1. SAFETY PRECAUTIONS

This LCD TV is manufactured and tested on a ground principle that a user's safety comes first. However, improper use or installation may cause damage to the LCD TV as well as to the user. Carefully go over the following WARNINGS before installing and keep this guide handy.

### WARNINGS:

- ◆ This LCD TV should be operated only at the correct power sources indicated on the label on the rear end of the LCD TV. If you're unsure of the power supply in your residence, consult your local dealer or power company.
- ◆ Use only the special power adapter that comes with this LCD TV for power input.
- ◆ Do not try to repair the LCD TV yourself as it contains no user-serviceable parts. This LCDTV should only be repaired by a qualified technician.
- ◆ Do not remove the LCD TV cabinet. There is high-voltage parts inside that may cause electric shock to human bodies, even when the power cord is unplugged.
- ◆ Stop using the LCD TV if the cabinet is damaged. Have it checked by a service technician.
- ◆ Put your LCD TV only in a clean, dry environment. If it gets wet, unplug the power cable immediately and consult your service technician.
- ◆ Always unplug the LCD TV before cleaning it. Clean the cabinet with a clean, dry cloth. Apply non-ammonia based cleaner onto the cloth, not directly onto the glass screen.
- ◆ Keep the LCD TV away from magnetic objects, motors, TV sets, and transformer.
- ◆ Do not place heavy objects on the LCD TV or power cord.

## 1.2. PRODUCT SAFETY NOTICE

Many electrical and mechanical parts in this chassis have special safety visual inspections and the protection afforded by them cannot necessarily be obtained by using replacement components rated for higher voltages, wattage, etc. Before replacing any of these components read the parts list in this manual carefully. The use of substitute replacement parts which do not have the same safety characteristics as specified in the parts list may create shock, fire, or other hazards.

## 1.3. SERVICE NOTES

1. When replacing parts or circuit boards, clamp the lead wires around terminals before soldering.
2. When replacing a high wattage resistor (more than 1W of metal oxide film resistor) in circuit board, keep the resistor about 5mm away from circuit board.
3. Keep wires away from high voltage, high temperature components and sharp edges.
4. Keep wires in their original position so as to reduce interference.
5. Usage of this product please refer to also user's manual.

## 2. SERVICE TOOL & EQUIPMENT REQUIRED

1. SIGNAL GEN.
2. MULTIMETER
3. OSCILLOSCOPE
4. SCREW DRIVER
5. IRON
6. ABSORBER
7. SOLDER
8. DUMMY LOAD (5  $\Omega$ /200W)
9. DVD PLAYER

## 3. SPECIFICATIONS

### 3.1. PRODUCT SPECIFICATIONS

LCD Panel	32" TFT
Power Management (OFF MODE)	< 5W
Displayable Resolution	VESA 1280×1024 max.
Pixel Dimension	0.51075(H)×0.51075 (W)mm
LCD Display Color	16.7M Color Max. (8bit/color)
Viewing Angle	CR $\geq$ 10 Horizontal: -85°+85° Vertical: -85°+85°
Contrast Ratio	800 : 1 (typical)
Brightness	500 cd/m <sup>2</sup> (typical)
Response Time	Tr: 8 ms , Tf: 8ms (typical)
Active Display Area	697.68mm×392.26mm
RF Tuner	Input level: 0 ~ +15 dB mV Rang: NTSC 55.25 to 801.25 MHz, 2-69 channels for Off-Air and 2-125 Channeis for CATV
Power	Voltage: 100~240 V Consumption: 200 Watts (Max.)
Speaker	10W×2
Compliance	FCC,UL
Temperature	Operating : 0°C~ +40°C Storage : -20°C~+60°C

### 3.2. FACTORY SUPPORTING MODES

ITEM	1	2	3	4
TIMING	640×480 60HZ	640×480 75HZ	800×600 60HZ	800×600 75HZ
Pixel Rate	25.175MHZ	31.500MHZ	40.000MHZ	49.500MHZ
H TOTAL	31.778us	26.667us	26.400us	21.333us
H DISPLAY	25.422us	20.317us	20.000us	16.162us
H B-Porch	1.907us	3.810us	2.200us	3.232us
H Width	3.813us	2.032us	3.200us	1.616us
H Border	0.318us	0.000us	0.000us	0.000us
V TOTAL	16.683ms	13.334ms	16.579ms	13.333ms
V DISPLAY	15.253ms	12.800ms	15.840ms	12.800ms
V B-Porch	1.049ms	0.427ms	0.607ms	0.448ms
Vs Width	0.064ms	0.080ms	0.106ms	0.064ms
V Border	0.254ms	0.000ms	0.000ms	0.000ms
H/V Sync	-/-	-/-	+/+	+/+
Interlace	No.	No.	No.	No.

ITEM	5	6	7	8
TIMING	1024×768 60HZ	1024×768 75HZ	1280×720 60HZ	1280×768 60HZ
Pixel Rate	65.000MHZ	78.750MHZ	74.250MHZ	65.000MHZ
H TOTAL	20.677us	16.660us	22.222us	20.677us
H DISPLAY	15.754us	13.003us	17.239us	15.754us
H B-Porch	2.462us	2.235us	2.936us	2.462us
H Width	2.092us	1.219us	1.007us	2.092us
H Border	0.000us	0.000us	0.000us	0.000us
V TOTAL	16.666ms	13.328ms	16.667ms	16.666ms
V DISPLAY	15.880ms	12.795ms	16.000ms	15.880ms
V B-Porch	0.600ms	0.466ms	0.444ms	0.600ms
Vs Width	0.124ms	0.050ms	0.111ms	0.124ms
V Border	0.000ms	0.000ms	0.000ms	0.000ms
H/V Sync	-/-	+/+	-/-	-/-
Interlace	No.	No.	No.	No.

ITEM	9	10	11	12
TIMING	1360×768 60HZ	1280×1024 60HZ		
Pixel Rate	85.5MHZ	108MHZ		
H TOTAL	20.959us	15.630us		
H DISPLAY	15.906us	11.852us		
H B-Porch	2.994us	2.296us		
H Width	1.310us	1.037us		
H Border	0.000us	0.000us		
V TOTAL	16.662ms	16.661ms		
V DISPLAY	16.097ms	16.005ms		
V B-Porch	0.377ms	0.594ms		
Vs Width	0.126ms	0.047ms		
V Border	0.00ms	0.00ms		
H/V Sync	+/+	+/+		
Interlace	No.	No.		

### 3.3. D-SUB & HDMI CONNECTOR

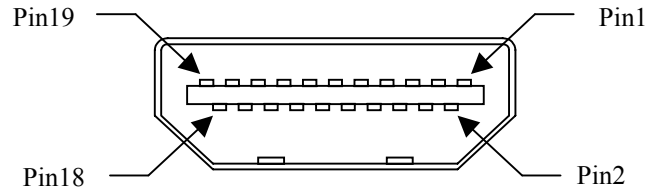
Connector pin assignments for VGA cable

The signal cable connector shall be a molded-over, shield twisted pair cable. The cable shall be 1.8 meters long. The pin assignments shall be listed as below:

PIN	D-SUB Connector
1	Red Video
2	Green Video
3	Blue Video
4	NC
5	GND
6	GNC
7	GND
8	GND
9	+5V for DDC
10	GND
11	NC
12	SDA
13	H-sync
14	V-sync
15	SCL

Connector pin assignments for HDMI cable

HDMI: 19 pins HDMI connector is designed to match with HDMI digital signal cable, the pin assignment is as the following:



Pin	Signal Assignment	Pin	Signal Assignment
1	TMDS RX2+	11	TMDS Ground
2	TMDS Ground	12	TMDS Clock-
3	TMDS RX2-	13	CEC
4	TMDS RX1+	14	Floating
5	TMDS Ground	15	DDC Clock
6	TMDS RX1-	16	DDC Data
7	TMDS RX0+	17	Ground
8	TMDS Ground	18	+5V Power
9	TMDS RX0-	19	Hot Plug Detect
10	TMDS Clock+		

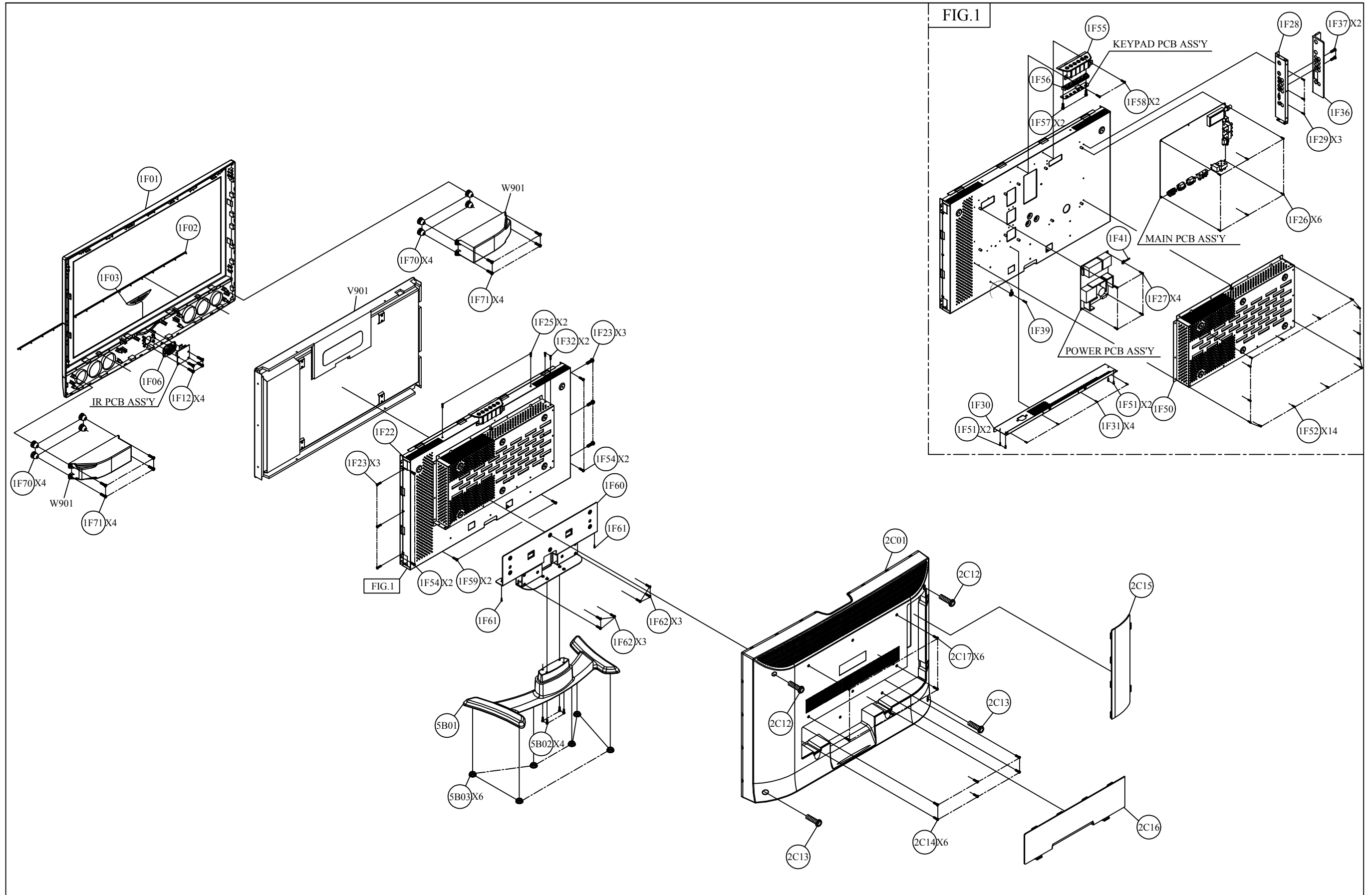


## 4. EXPLODED PARTS LIST ( N3250w-1M)

ViewSonic Model Number: VS10769-1M

Item	Ref. No.	Part No.	DESCRIPTION	SPECIFICATION	Q'TY
1	1F01	2024267903	FRONT BEZEL	ABS 94HB BLACK (VIEWSONIC)	1
2	1F02	2054256101	ORNAMENT	ABS 94HB AL-PLATE	1
3	1F03	2033150500	IR COVER	PC 476C	1
4	1F06	2044266501	FUNCTION KEY	JC278 ABS 94V0 AL-PLATE POWER	1
5	1F12	2084730082	SCREW,BND T+	M3X8(BND T+)	4
6	1F22	2071972200	METAL FITTG	SECC T=1.0MM FOR AU PANEL	1
7	1F23	2082740082	SCREW,BND+	M4X8(BND+)	6
8	1F25	2082740082	SCREW,BND+	M4X8(BND+)	2
9	1F26	2080003700	SCREW,SPE	1SZZTER001A M3*6L MSWR17/FZMY1	6
10	1F27	2080003700	SCREW,SPE	1SZZTER001A M3*6L MSWR17/FZMY1	4
11	1F28	2072050900	METAL FITTG-I/O	SECC T=1.0MM FOR US	1
12	1F29	2082630042	SCREW	M3*4 P=0.5	3
13	1F30	2072050701	METAL FITTG-I/O	SECC T=1.0 FOR US+ROCKER SWITC	1
14	1F31	2082630042	SCREW	M3*4 P=0.5	4
15	1F32	2083630068	SCREW FMS+	M3X6,M,S-TITE,F,NI	2
16	1F36	2027259702	DUST COVER	ABS 94HB BLACK FOR US	1
17	1F37	2083730102	SCREW,BND T+	SCREW BND T+	2
18	1F39	2080040062	SCREW,SPE	M4*8 PMS-3/W	1
19	1F41	2071800300	BRACKET,FIX	62*8*3.4 T=0.5MM WITH PVC TUBE	1
20	1F50	2071972400	METAL FITTG	SECC T=1.0MM VESA SUPPORT	1
21	1F51	2083630068	SCREW FMS+	M3X6,M,S-TITE,F,NI	4
22	1F52	2082630042	SCREW	M3*4 P=0.5	14
23	1F54	2084740122	SCREW,BND T+	M4X12(BND T+)	4
24	1F55	2027259602	DUST COVER	ABS 94HB BLACK	1
25	1F56	2044266601	FUNCTION KEY	JC278 ABS 94V0 AL-PLATE FUNCTI	1
26	1F57	2084730082	SCREW,BND T+	M3X8(BND T+)	2
27	1F58	2082630062	SCREW	M3X6 P=0.5	2
28	1F59	2084740082	SCREW,BND T+	M4X8(BND T+)	2
29	1F60	2071871400	BRACKET,FIX	SECC T=2.0MM FIX ARM	1
30	1F61	2086240122	SCREW,P SW+	M4*12 PSW+	2
31	1F62	2084740122	SCREW,BND T+	M4X12(BND T+)	6
32	1F70	2090106700	WASHER,METAL	φ12xφ4.5x1.5t SECC	8
33	1F71	2084740122	SCREW,BND T+	M4X12(BND T+)	8
34	2C01	2022262902	CABI BACK	ABS 94HB BLACK	1
35	2C12	2082740084	SCREW,BND+	BMS 4X8 BLACK	2
36	2C13	2084740124	SCREW,BND T+	M4X12(BND T+) (BLK)	2
37	2C14	2082340102	SCREW,CSK+	SCREW F M4X10 (CSK+)	6
38	2C15	2027259902	DUST COVER	ABS 94HB BLACK	1
39	2C16	2027260002	DUST COVER	ABS 94HB BLACK	1
40	2C17	2080005900	SCREW,SPE	M6*10MM TYPE"TI" BLACK ZN	6
41	5B01	2071870401	BRACKET,FIX	JC278 BASE ALUMINUM BLACK 4001	1
42	5B02	2082750402	SCREW,BND+	M5X40,M,P,ZN-CC	4
43	5B03	2039802303	FOOT PAD	VA520 CR420xφ16.5x5.8 BLACK	6

# 4.1. EXPLODED VIEW



## 4.2. EXPLODED VIEW PARTS LIST

Ref. No.	Source	Part No.	DESCRIPTION	SPECIFICATION	Q'TY	REMARK
1F01		2024267903	FRONT BEZEL	ABS 94HB BLACK (VIEWSONIC)	1	
1F02		2054256101	ORNAMENT	ABS 94HB AL-PLATE	1	
1F03		2033150500	IR COVER	PC 476C	1	
1F06		2044266501	FUNCTION KEY	JC278 ABS 94V0 AL-PLATE POWER	1	
1F12		2084730082	SCREW,BND T+	M3X8(BND T+)	4	
1F22		2071972200	METAL FITTG	SECC T=1.0MM FOR AU PANEL	1	
1F23		2082740082	SCREW,BND+	M4X8(BND+)	6	
1F25		2082740082	SCREW,BND+	M4X8(BND+)	2	
1F26		2080003700	SCREW,SPE	1SZZIER001A M3*6L MSWR17/FZMY1	6	
1F27		2080003700	SCREW,SPE	1SZZIER001A M3*6L MSWR17/FZMY1	4	
1F28		2072050900	METAL FITTG-I/O	SECC T=1.0MM FOR US	1	
1F29		2082630042	SCREW	M3*4 P=0.5	3	
1F30		2072050701	METAL FITTG-I/O	SECC T=1.0 FOR US+ROCKER SWITC	1	
1F31		2082630042	SCREW	M3*4 P=0.5	4	
1F32		2083630068	SCREW FMS+	M3X6,M,S-TITE,F,NI	2	
1F36		2027259702	DUST COVER	ABS 94HB BLACK FOR US	1	
1F37		2083730102	SCREW,BND T+	SCREW BND T+	2	
1F39		2080040062	SCREW,SPE	M4*8 PMS-3/W	1	
1F41		2071800300	BRACKET,FIX	62*8*3.4 T=0.5MM WITH PVC TUBE	1	
1F50		2071972400	METAL FITTG	SECC T=1.0MM VESA SUPPORT	1	
1F51		2083630068	SCREW FMS+	M3X6,M,S-TITE,F,NI	4	
1F52		2082630042	SCREW	M3*4 P=0.5	14	
1F54		2084740122	SCREW,BND T+	M4X12(BND T+)	4	
1F55		2027259602	DUST COVER	ABS 94HB BLACK	1	
1F56		2044266601	FUNCTION KEY	JC278 ABS 94V0 AL-PLATE FUNCTI	1	
1F57		2084730082	SCREW,BND T+	M3X8(BND T+)	2	
1F58		2082630062	SCREW	M3X6 P=0.5	2	
1F59		2084740082	SCREW,BND T+	M4X8(BND T+)	2	
1F60		2071871400	BRACKET,FIX	SECC T=2.0MM FIX ARM	1	
1F61		2086240122	SCREW,P SW+	M4*12 PSW+	2	
1F62		2084740122	SCREW,BND T+	M4X12(BND T+)	6	
1F70		2090106700	WASHER,METAL	φ12xφ4.5x1.5t SECC	8	
1F71		2084740122	SCREW,BND T+	M4X12(BND T+)	8	
2C01		2022262902	CABI BACK	ABS 94HB BLACK	1	
2C12		2082740084	SCREW,BND+	BMS 4X8 BLACK	2	
2C13		2084740124	SCREW,BND T+	M4X12(BND T+) (BLK)	2	
2C14		2082340102	SCREW,CSK+	SCREW F M4X10 (CSK+)	6	
2C15		2027259902	DUST COVER	ABS 94HB BLACK	1	
2C16		2027260002	DUST COVER	ABS 94HB BLACK	1	
2C17		2080005900	SCREW,SPE	M6*10MM TYPE"1" BLACK ZN	6	
5B01		2071870401	BRACKET,FIX	JC278 BASE ALUMINUM BLACK 4001	1	
5B02		2082750402	SCREW,BND+	M5X40,M,P,ZN-CC	4	
5B03		2039802303	FOOT PAD	VA520 CR420xφ16.5x5.8 BLACK	6	

## 5. RECOMMENDED SPARE PARTS LIST (N3250w-1M)

ViewSonic Model Number: VS10769-1M

Rev: 1b

Serial No. Prefix: PS4

Item	Description	ViewSonic P/N	Ref.P/N	Location	Unit Price (FOB)	Lead time	Q'ty	
1	<b>Accessories:</b>	POWER CORD USA WALL 1.83M BLACK	A-00003561	2427130046	P951	0.63	30	1
2		REMOTE CONTROL N3250W VIEWSONIC UBRC-100	A-00003562	2419200025	H901	8.40	30	1
3	<b>Board Assembly:</b>	PCB ASS'Y BLOCK (MAIN)	B-00003563	6201-7032146381		81.45	30	1
4		PCB ASS'Y BLOCK (CON)	B-00003564	6202-7032146381		0.70	30	1
5		PCB ASS'Y BLOCK (IR)	B-00003565	6206-7032146381		0.62	30	1
6	<b>Cabinets:</b>	CABI BACK ABS 94HB BLACK	C-00003566	2022262902	2C01	13.88	30	1
7		BEZEL ASS'Y ABS 94HB BLACK (VIEWSONIC)	C-00003567	2603307787		7.80	30	1
8	<b>Cables:</b>	I/O CABLE D15/D15 20276(3+6) 1.83M BLACK	CB-00003568	2427501187	P961	1.58	30	1
9		CABLE RCA 3P(Y/R/W) 2562#26 1.8M BLK	CB-00003425	2427701893	P955	0.84	30	1
10	<b>Documentation:</b>	OWNER GUIDE N3250W VS10769-1M USA	DC-00003569	2001131365	6P80	0.13	30	1
11		GUARANT CARD VIEWSONIC N3250W QSG USA	DC-00003570	2002310470	6P81	0.20	30	1
12	<b>Electronic Components:</b>	LCD PANEL T315XW01 V2	E-00003571	2212008100	V901	741.00	30	1
13	<b>Hardware:</b>	BRACKET, FIX JC278 BASE ALUMINUM BLACK 4001	HW-00003572	2071870401	5B01	12.10	30	1
14	<b>Packing Material:</b>	CARTON BOX VIEWSONIC N3250W VS10769-1M	P-00003573	2011132502	6P01	3.49	30	1
15		POLYFOAM EPE (R)	P-00003574	2012178700	6P20	1.11	30	1
16		POLYFOAM EPE (L)	P-00003575	2012178800	6P21	1.11	30	1
17		POLYFOAM EPE (DOWN)	P-00003576	2012178900	6P22	4.07	30	1

Remark 1: Above listed items are examples, supplier can expand the rows to add more necessary items.

Remark 2: All revised RSPLs with newly added items or any change made should be highlighted and correlated with the ECN/ECR approved by ViewSonic Corporation. This is to eliminate repeated cross checks of each item between this version and prior versions.

# BOM LIST (N3250w-1M)

ViewSonic Model Number: VS107

Rev: 1b

Serial No. Prefix: PS4

Item	ViewSonic P/N	Ref. P/N	Description		Location	Q'ty
1	#N/A	2024267903	FRONT BEZEL	ABS 94HB BLACK (VIEWSONIC)	1F01	1
2	#N/A	2054256101	ORNAMENT	ABS 94HB AL-PLATE	1F02	1
3	#N/A	2033150500	IR COVER	PC 476C	1F03	1
4	#N/A	2053754101	LED INDIC.-PWR	PMMA LIMPID	1F04	1
5	#N/A	2053753901	LED INDIC.-PWR	JC278 ABS 94HB AL-PLATE	1F05	1
6	#N/A	2044266501	FUNCTION KEY	JC278 ABS 94V0 AL-PLATE POWER	1F06	1
7	#N/A	2063451301	ADHESI SHEET	PVC 7.5*7.5*5T MM IR SUPPORT	1F11	1
8	#N/A	2071972200	METAL FITTG	SECC T=1.0MM FOR AU PANEL	1F22	1
9	#N/A	2082740082	SCREW,BND+	M4X8(BND+)	1F23 1F25	8
10	M-SCW-0824-0811	2080003700	SCREW,SPE	1SZZTER001A M3*6L MSWR17/FZMY1	1F26 1F27 1F38	15
11	#N/A	2072050900	METAL FITTG-I/C	SECC T=1.0MM FOR US	1F28	1
12	M-SCW-0824-6719	2082630062	SCREW	M3X6 P=0.5	1F29 1F31 1F34 1F52 1F58	24
13	#N/A	2072050701	METAL FITTG-I/C	SECC T=1.0 FOR US+ROCKER SWITC	1F30	1
14	#N/A	2083630068	SCREW FMS+	M3X6,M,S-TITE,F,NI	1F32 1F51	6
15	M-SCW-0824-0285	2084730082	SCREW,BND T+	M3X8(BND T+)	1F33 1F57 1F12	9
16	#N/A	2027259702	DUST COVER	ABS 94HB BLACK FOR US	1F36	1
17	#N/A	2083730102	SCREW,BND T+	SCREW BND T+	1F37	2
18	#N/A	2080040062	SCREW,SPE	M4*8 PMS-3/W	1F39	1
19	#N/A	2061254000	SPONGE	SPONGE BLACK 10*6*180MM	1F40 2C02	2
20	#N/A	2071800300	BRACKET,FIX	62*8*3.4 T=0.5MM WITH PVC TUBE	1F41	1
21	#N/A	2071972400	METAL FITTG	SECC T=1.0MM VESA SUPPORT	1F50	1
22	#N/A	2084740122	SCREW,BND T+	M4X12(BND T+)	1F54 1F620 1F71	18
23	#N/A	2027259602	DUST COVER	ABS 94HB BLACK	1F55	1
24	#N/A	2044266601	FUNCTION KEY	JC278 ABS 94V0 AL-PLATE FUNCTI	1F56	1
25	M-SCW-0824-6721	2084740082	SCREW,BND T+	M4X8(BND T+)	1F59	2
26	#N/A	2071871400	BRACKET,FIX	SECC T=2.0MM FIX ARM	1F60	1
27	#N/A	2086240122	SCREW,P SW+	M4*12 PSW+	1F61	2
28	#N/A	2090106700	WASHER,METAL	φ12xφ4.5x1.5t SECC 8	1F70	0
29	C-00003566	2022262902	CABI BACK	ABS 94HB BLACK	2C01	1
30	M-SCW-0824-6943	2082740084	SCREW,BND+	BMS 4X8 BLACK	2C12	2
31	M-SCW-0824-6944	2084740124	SCREW,BND T+	M4X12(BND T+) (BLK)	2C13	2
32	#N/A	2082340102	SCREW,CSK+	SCREW F M4X10 (CSK+)	2C14	6
33	#N/A	2027259902	DUST COVER	ABS 94HB BLACK	2C15	1
34	#N/A	2027260002	DUST COVER	ABS 94HB BLACK	2C16	1
35	#N/A	2080005900	SCREW,SPE	M6*10MM TYPE"1" BLACK ZN	2C17	6
36	C-00001876	2071870401	BRACKET,FIX	JC278 BASE ALUMINUM BLACK 4001	5B01	1
37	#N/A	2082750402	SCREW,BND+	M5X40,M,P,ZN-CC	5B02	4
38	PL-PD-0714-0069	2039802303	FOOT PAD	VA520 CR420xφ16.5x5.8 BLACK	5B03	6
39	P-00003573	2011132502	CARTON BOX	VIEWSONIC N3250W VS10769-1M	6P01	1
40	#N/A	2055632118	LABEL	N3250W VS10769-1M (M) AUO	6P02	1
41	#N/A	2055613457	LABEL	VIEWSONIC HDMI/SRS STICKER	6P03	1
42	#N/A	2001950175	ATTACH SHEET	VIEWSONIC LCDTV ATTENTION CARL	6P04	1
43	#N/A	2055636034	LABEL	N3250W VS10769-1M SMALL LABEL	6P05	1
44	M-LB-0813-0856	2055613379	LABEL	ViewSonic CONTAINER LABEL	6P11	1/6
45	M-LB-0813-0530	2055617101	LABEL	10*20 HI-POT TESTED 0K	6P13	1
46	M-LB-0813-0959	2055613392	LABEL	VSC HIGH VOLTAGE WARNING LABEL	6P14	1
47	P-00003574	2012178700	POLYFOAM	EPE (R)	6P20	1
48	P-00003575	2012178800	POLYFOAM	EPE (L)	6P21	1
49	P-00003576	2012178900	POLYFOAM	EPE (DOWN)	6P22	1
50	#N/A	2055135030	LABEL	VIEWSONIC N3250W VS10769-1M	6P50	1
51	M-LB-0813-0528	2055103400	LABEL	JK0936F WEN	6P52	1
52	M-LB-0813-0002	2056603050	SERIAL LABEL	VIEWSONIC LCD SERIAL LABEL	6P56 6P54 6P55 6P51	4
53	#N/A	2013054007	POLYETHY BAG	870*800MM HDPE BAG	6P60	1
54	M-MS-0808-1316	2013222536	POLYETHY BAG	250mmx350mmxt0.3 ADD>PE-LD<	6P75	1
55	DC-00003569	2001131365	OWNER GUIDE	N3250W VS10769-1M USA	6P80	1
56	DC-00003570	2002310470	GUARANT CARD	VIEWSONIC N3250W QSG USA	6P81	1
57	#N/A	2011100017	CARTON BOX	360X220X50mm (WDXH) BOX(B)	6P85	1
58	#N/A	2072257200	HEAT SINK	JP166K AL28*28*8H	9H01	1
59	#N/A	2074750200	LED HOLDER-	NYLON66 H=8.0mm LED308	9R81	1
60	#N/A	2005100400	BATTERY,DRY	R6PSG 1.5V (AA) TOSHIBA	B901	2

Item	ViewSonic P/N	Ref. P/N	Description		Location	Q'ty
61	E-C-0404-3096	2335310812	CAP,ELE LOW ESR 105°C	EC 1000u/ 16V 10*20 P=5.0 K	C106 C115 C680	3
62	E-C-0404-3815	2346410496	CAP,CHIP 85°C	CS 0603/Y5V/50V 0.1u Z T	C120 C131 C141 C143 C144 C146 C147 C148 C149 C151 C152 C153 C155 C156 C158 C159 C160 C161 C163 C164 C166 C194 C195 C200 C201 C214 C215 C216 C238 C242 C247 C261 C263 C264 C265 C266 C267 C268 C269 C270 C271 C273 C274 C275 C276 C278 C279 C280 C281 C282 C289 C290 C291 C292 C293 C294 C299 C300 C301 C304 C305 C306 C307 C308 C310 C311 C312 C313 C358 C360 C365 C411 C412 C413 C414 C415 C416 C417 C418 C419 C420 C421 C422 C423 C424 C425 C426 C427 C428 C429 C430 C433 C435 C437 C438 C439 C440 C441 C442 C443 C444 C445 C446 C448 C449 C450 C451 C452 C453 C454 C455 C456 C457 C458 C459 C460 C461 C462 C463 C464 C465 C466 C467 C468 C469 C470 C471 C472 C473 C474 C475 C476 C477 C479 C481 C520 C543 C545 C554 C558 C559 C560 C566 C575 C576 C577 C578 C579 C580 C581	185
63	#N/A	2335210813	CAP,ELE LOW ESR 105°C	EC 1000u/ 10V 10*13 P=5.0 T	C112 C272	2
64	#N/A	2333347613	CAP,ELE 105°C	EC 47u/ 16V 5*11 P=2.5 T	C118 C140 C145 C150 C154 C157 C167 C168 C288 C298 C478 C480 C524 C526 C544 C561	16
65	#N/A	2333322791	CAP,ELE 105°C	EC 220u/ 16V 8*11 P=5.0 T	C119	1
66	#N/A	2346147396	CAP,CHIP 125°C	CS 0603/X7R/50V 0.047u K T	C121 C122 C123 C124 C125 C127 C203	7
67	E-C-0404-3816	2346110296	CAP,CHIP 125°C	CS 0603/X7R/50V 1000p K T	C126 C234 C235 C556 C557	5
68	#N/A	2346182296	CAP,CHIP 125°C	CS 0603/X7R/50V 8200p K T	C128	1
69	#N/A	2346182396	CAP,CHIP 125°C	CS 0603/X7R/50V 0.082u K T	C129	1
70	E-00003865	2346710596	CAP,CHIP 85°C	CS 0603/Y5V/16V 1.0u Z T	C132 RA C230 RA C233 RA C519 RA C525 RA	5
71	E-C-0404-4830	2346610596	CAP,CHIP 85°C	CS 0603/Y5V/10V 1.0u Z T	C132 RB C230 RB C233 RB C519 RB C525 RB	5
72	E-C-0404-4425	2346122296	CAP,CHIP 125°C	CS 0603/X7R/50V 2200p K T	C133 C134	2
73	#N/A	2346747496	CAP,CHIP 85°C	CS 0603/Y5V/16V 0.47u Z T	C135 C523 C616	3
74	E-C-0404-4828	2341110196	CAP,CHIP 125°C	CS 0603/COG/50V 100p J T	C136 C137 C170 C172 C187 C206 C209 C220 C225 C228 C232 C249 C250 C251 C252 C567	16

Item	ViewSonic P/N	Ref. P/N	Description		Location	Q'ty
					C142 C197 C198 C202 C204 C207 C212 C217 C218 C222 C226 C229 C237 C241 C243 C248 C518 C563 C569 C601 C602 C603 C605 C606 C609 C610 C615 C617 C620 C621 C625 C631	
75	#N/A	2333610613	CAP,ELE 105°C	EC 10u/ 50V 5*11 P=2.5 T		32
76	E-C-0404-5321	2333310713	CAP,ELE 105°C	EC 100u/ 16V 6.3*11 P=2.5 T	C162 C165	2
77	#N/A	2341147196	CAP,CHIP 125°C	CS 0603/COG/50V 470p J T	C169 C171	2
78	E-C-0404-4423	2341122096	CAP,CHIP 125°C	CS 0603/COG/50V 22p J T	C186 C564 C565 C643 C671	5
79	#N/A	2349901296	CAP,CHIP SPEC	V-PORT0603 22p	C188 C189 C190 C191 C192 C193	6
80	#N/A	2335215811	CAP,ELE LOW ESR 105°C	EC 1500u/ 10V10*16 P=5.0 C	C196 C199	2
					C205 C208 C210 C211 C219 C224 C227 C231 C364 C366 C367 C368 C369 C373 C378 C379 C380 C381 C384 C385 C548 C549 C550 C551 C552 C553 C555	
81	#N/A	2349901096	CAP,CHIP SPEC	AC0603470A 47P±10% INPAQ		27
82	#N/A	2341156096	CAP,CHIP 125°C	CS 0603/COG/50V 56p J T	C221 C223	2
83	E-C-0404-3900	2341133096	CAP,CHIP 125°C	CS 0603/COG/50V 33p J T	C239 C240 C408 C409	4
84	#N/A	2336310713	CAP,MINI ELE 105°C	EC 100u/ 16V 6.3*7 P=2.5 T	C246 C262 C303 C309 C359 C432 C434 C436 C472 C562 C638 C676	12
85	E-C-0404-4225	2346139296	CAP,CHIP 125°C	CS 0603/X7R/50V 3900p K T	C284	1
86	#N/A	2341133196	CAP,CHIP 125°C	CS 0603/COG/50V 330p J T	C285 C287 C297 C302 C314 C315 C374 C375 C376 C377 C382 C383 C572 C573 C574	15
87	#N/A	2346139396	CAP,CHIP	CS 0603/X7R/50V 0.039u K T	C286	1
88	E-C-0404-4422	2341118096	CAP,CHIP 125°C	CS 0603/COG/50V 18p J T	C295 C296 C640 C1644 C672 C674	6
89	#N/A	2349900996	CAP,CHIP SPEC	0603V-PORT 10P±10% INPAQ	C357 C361 C362 C363	4
90	#N/A	2336347791	CAP,MINI ELE	EC 470u/ 16V 8*9 P=5.0 T	C431 C447	2
91	E-C-0404-4424	2346110396	CAP,CHIP 125°C	CS 0603/X7R/50V 0.01u K T	C611 C682 C683 C684 C685	5
92	#N/A	2346115396	CAP,CHIP 125°C	CS 0603/X7R/50V 0.015u K T	C612	1
93	#N/A	2346422496	CAP,CHIP 85°C	CS 0603/Y5V/50V 0.22u Z T	C619	1
94	#N/A	2346147296	CAP,CHIP 125°C	CS 0603/X7R/50V 4700p K T	C623	1
95	E-C-0404-4909	2341115096	CAP,CHIP 125°C	CS 0603/COG/50V 15p J T	C641 C675	2
96	E-C-0404-4241	2333347791	CAP,ELE 105°C	EC 470u/ 16V 10*12.5 P=5.0 T	C645 C659	2
97	#N/A	2301310591	CAP,MTL	MEB 1.0u/ 63V P=5.0 J T	C649 RA C655 RA C662 RA C668 RA C649 RA C655 RA C662 RA C668 RA	8
98	#N/A	2333633613	CAP ELE 105°C	EC 33u/ 50V 6.3*11 P=2.5 T	C650 C652 C663 C666	4
99	E-00003830	2364601396	DIODE,SWITCH SMD	1N4148W-7 SOD123 DIODES	D106 RA D107 RA D108 RA D109 RA	4
100	#N/A	2364600496	DIODE,SWITCH SMD	MM4148 SOD-80 GRANDE	D106 RB D107 RB D108 RB D109 RB	4
101	E-00003534	2363600696	DIODE,SWITCH	RLS4148-T11 SOD-80 ROHM	D106 RC D107 RC D108 RC D109 RC	4
102	E-D-0403-1892	2364200896	DIODE,RECT(SMD )	BAS32L SOD-80 PHILIPS	D106 RD D107 RD D108 RD D109 RD	4
103	#N/A	2363705101	LED	L-3WEGW KINGBRIGHT	D711	1



Item	ViewSonic P/N	Ref. P/N	Description		Location	Q'ty
104	A-00003562	2419200025	CONT BLOCK	N3250W ViewSonic UBRC-100	H901	1
105	E-IC-0401-2123	2365807496	IC,LINEAR(SMD)	AIC1084-33CM TO-263 AIC	I104 RA I107 RA	2
106	E-IC-0401-2745	2365810796	IC,LINEAR(SMD)	AP1084K33A(3.3V) TO-263 ATC	I104 RB I107 RB	2
107	#N/A	2365809196	IC,LINEAR(SMD)	CM1084SCN263 CHAMPION SO263	I104 RC I107 RC	2
108	E-IC-0401-2017	2365412600	IC,DIGITAL	24LC21A/P MICROCHIP	I105 RA	1
109	#N/A	2365424400	IC,DIGITAL (EOL)	ST24LC21BB6 PSDIP-8 ST	I105 RB	1
110	#N/A	2365104000	IC MEMORY (EEPROM)	24LC22A PDIP-8 MICROCHIP	I106	1
111	#N/A	2365813696	IC,LINEAR(SMD)	AP1117E18A SOT-223 ANACHIP	I108 RA	1
112	#N/A	2365335086	LINEAR IC	AIC1117A-18CY SOT-223 AIC	I108 RB	1
113	#N/A	2365425146	DIGITAL IC	AD9880 LQFP-100 AD	I109	1
114	E-IC-0401-0659	2365408400	IC,DIGITAL	24LC04B/P MICROCHI	I110 RA	1
115	#N/A	2365416900	IC,DIGITAL	AT24C04-10PC-2.7 ATMEL	I110 RB	1
116	#N/A	2365425156	DIGITAL IC	MS6313AS SO-8 MOSA	I111	1
117	E-00002470	2416901600	UV TUNER	FQ1236/F H-3(US) PHILIPS	I112 RA	1
118	E-00002471	2416901700	UV TUNER	TAPE-H701F LG	I112 RB	1
119	#N/A	2416902100	UV TUNER	FQ1236F H-5(MK5) NTSC PHILIPS	I112 RC	1
120	#N/A	2365814796	IC,LINEAR(SMD)	HEF4052BT SO-16 PHILIPS	I113	1
121	#N/A	2365930196	IC,DIGITAL SMD	MSP3425G PMQFP64 Micronas	I114	1
122	#N/A	2365923896	IC,DIGITAL SMD	M12L1616A-7 ESMT	I115 RA	1
123	#N/A	2365925596	IC,DIGITAL SMD	GLT5160L16 G-LINK TSOP	I115 RB	1
124	#N/A	2365933096	IC,DIGITAL SMD	t0956 LQFP-128 Turmpion	I116	1
125	E-IC-0401-2924	2365808196	IC,LINEAR(SMD)	AP1117E-3.3V SOT-223 ATC	I117 RA I602 RA	2
126	#N/A	2365808396	IC,LINEAR(SMD)	AIC1117-33CY AIC SOT-223	I117 RB I602 RB	2
127	#N/A	2365809496	IC,LINEAR(SMD)	CM1117SCM-3.3V SOT223 CHAMPION	I117 RC I602 RC	2
128	#N/A	2365808596	IC,LINEAR(SMD)	CM1117KCM-2.5V SOT223 CHAMPION	I118 RA	1
129	#N/A	2365811196	IC,LINEAR(SMD)	AP1117E25A(2.5V) SOT223 ATC	I118 RB	1
130	#N/A	2365932896	IC,DIGITAL SMD	t-0932 BGA-336L Trumpion	I123	1
131	#N/A	2365103696	IC MEMORY (SDRAM)	K4S643232H-TC60 TSOP86 SAMSUNG	I124 RA I125 RA I126 RA	3
132	#N/A	2365105096	MEMORY IC (SDRAM)	EM638325TS-6 TSOP-86 ETRON	I124 RB I125 RB I126 RB	3
133	#N/A	2365814596	IC,LINEAR(SMD)	AIC1084-25CM TO-263 AIC	I127 RA	1
134	#N/A	2365814696	IC,LINEAR(SMD)	CM1084KCN263 TO-263 CHAMPION	I127 RB	1
135	#N/A	2365923996	IC,DIGITAL SMD	t0383JS TSSOP-56 Turmpion	I128 RA	1
136	#N/A	2365917896	IC,DIGITAL SMD	DS90C383AMTDX TSSOP-56 NS	I128 RB	1
137	E-IC-0401-2124	2365917996	IC,DIGITAL SMD	SN75LVDS83DGG TI	I128 RC	1
138	#N/A	2365934596	IC,DIGITAL SMD	THC63LVDM83R TSSOP-56 THINE	I128 RD	1
139	#N/A	2365335206	LINEAR IC	MS6308 SOP-8 MOSA	I129	1
140	#N/A	2365812796	IC,LINEAR(SMD)	TPA6110A2 DGN-8 TI	I130 I131	2
141	E-IC-0401-2269	2365915896	IC,DIGITAL SMD	24LC16B/SN SO-8 MICROCHIP	I137 RA	1
142	#N/A	2365100996	IC,MEMORY	AT24C16AN-10SI-2.7 SO-8 ATMEL	I137 RB	1
143	#N/A	2365103096	IC,MEMORY	HT24LC16 SO-8 HOLTEK	I137 RC	1
144	M-00002107	2365103596	IC MEMORY	STK6012BP22-5V PLCC-44 Syntek	I138	1
145	#N/A	2365813096	IC,LINEAR(SMD)	L78M08CDT TO-252 ST	I139	1
146	#N/A	2365813996	IC,LINEAR(SMD)	AP8210Q LQFP-64 ASP	I601	1
147	#N/A	2360700796	FET P&N-CH	FW332-TL-E SOP-8 SANYO	I603 RA I605 RA I606 RA I607 RA	4
148	#N/A	2360700896	FET P&N-CH	SI4532DY SO-8 FAIRCHILD	I603 RB I605 RB I606 RB I607 RB	4
149	#N/A	2365933196	IC,DIGITAL SMD	YDA135 LQFP-148 YAMAHA	I604	1
150	#N/A	2419301100	RECEIV BLOCK	PL-IRM0206-A538 PARA LIGHT	I711	1
151	#N/A	2433310011	SHIELDING FOAM	W10*H2*L15mm	K901	1
152	M-MS-0808-6571	2433303010	SHIELDING FOAM	W10*H10.5*L10mm	K902 K903 K904	3



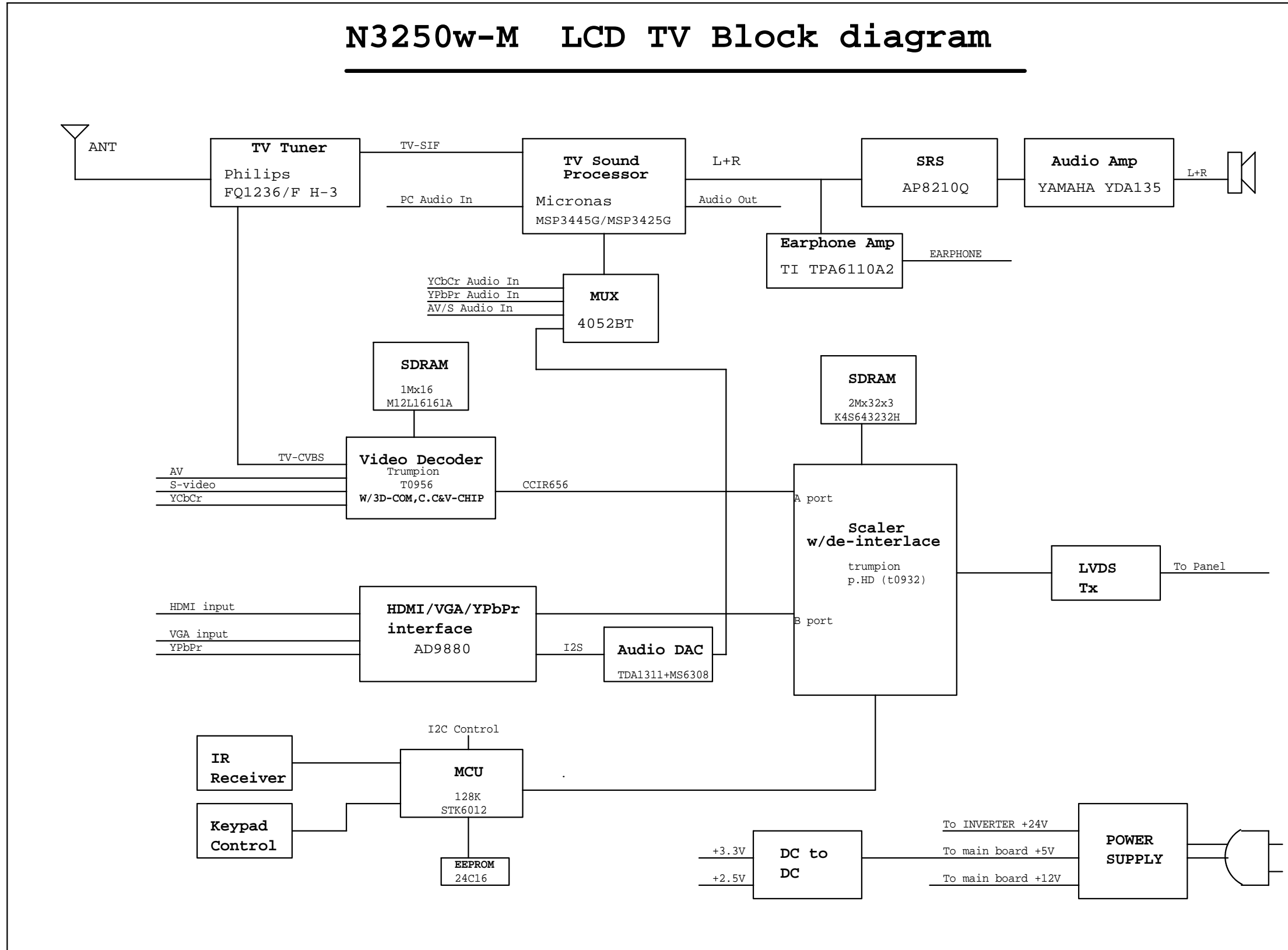
Item	ViewSonic P/N	Ref. P/N	Description		Location	Q'ty
153	#N/A	2433305021	SHIELDING FOAM	W5*H2*L5	K905	1
154	#N/A	2379103391	FERRITE CORE	3.5*6*0.8x2 100MHZ=100ohm Min	L106 L109 L202 L607 L608	5
155	#N/A	2379380096	BEAD,HI-IMPEDANCE	Z= 80 ohm(100MHZ~) 0603 200mA	L110 L111 L112 L113 L114 L115 L141	7
156	E-R-0405-6600	2253200096	RES,CHIP 1/10W	RC 0603 1/10W 0 ohm J T	L117 L118 L119 L127 L128 L142 L143 L152 L153 L154 L155 R117 R203 R214 R222 R223 R374 R381 R386 R388 R390 R391 R392 R394 R442 R497 R509 R601 R602 R605 R606 R607 R640 R641	34
157	#N/A	2379330006	BEAD,HI-IMPEDANCE	Z= 30 ohm(200MHZ~) 0603 300mA	L121 L122 L123	3
158	#N/A	2371120201	COIL,CHOKE	2mH 10*15 0.3mm/231.5Ts P=5.0	L125 L126	2
159	#N/A	2379360196	BEAD,HI-IMPEDANCE	Z= 600 ohm(100MHZ~) 0603 200mA	L129 L130 L134 L135 L136 L137 L138 L140 L183 L184	10
160	E-00003533	2379520196	BEAT,HI-CURRENT	Z= 200 ohm 0805 I=2.0A	L131 L132 L139 L148 L150 L168 L169 L170 L171 L601	11
161	#N/A	2378633996	WOUND CHIP INDUCTOR	3.3uH/3225 K T	L144 L145 L146 L147 L149 L151	6
162	E-R-0405-5989	2253310096	RES,CHIP 1/8	RC 0805 1/8 W 10 ohm J T	L166 L167	2
163	E-L-0407-1533	2371154600	COIL,CHOKE	R6*20 5.2UH 0.9mm/145.5Ts	L201	1
164	#N/A	2371115001	COIL,CHOKE	15uH/ 8*10 UEW 0.5mm/21.5Ts	L603 L604 L605 L606	4
165	#N/A	2404301011	CONNECTOR	JST XH 12P SIDE P=2.5 OR EQUAL	P101	1
166	#N/A	2407640119	SOCKET,SMD	T019PIN-JSN001B (HDMI) TAYBANG	P105 RA	1
167	#N/A	2407640219	SOCKET,SMD	HMR47-19P HDMI ACON	P105 RB	1
168	#N/A	2407430900	SOCKET (D-SUB)	DHSB-15FTF7 BLUE(661C) LEOCO	P106	1
169	#N/A	2405313201	RCA JACK	RJ-1165*07-0300A JYE TAI	P107	1
170	#N/A	2405324201	RCA JACK	RJ-1145*09-0300A JYE TAI	P108 P110	2
171	#N/A	2405106100	EARPHONE JACK	EAR JACK 2P TOP (BLUE/LIME)	P111	1
172	#N/A	2405322201	RCA JACK	2*2P (4P BLU/YEL/RED/GRN)	P112	1
173	#N/A	2407442900	SOCKET	DN-508BS-4 DIN(BLK) PETER'S	P113	1
174	#N/A	2404322130	CONNECTOR	2R1L SIDE P=2.0mm 2046P30HT00	P114	1
175	#N/A	2404371003	CONNECTOR	JST PH 4P TOP P=2.0 OR EQUAL	P118 P119	2
176	M-MS-0808-6354	2404301105	CONNECTOR	JST PH 6P SIDE P=2.0 OR EQUAL	P122 P711	2
177	#N/A	2404301106	CONNECTOR	JST PH 7P SIDE P=2.0 OR EQUAL	P124 P701	2
178	#N/A	2404300003	CONNECTOR	JST XH 4P TOP P=2.5 OR EQUAL	P602	1
179	#N/A	2427414002	WIRE HARNESS	10/14P H/A 1007#24+128C L=400	P903	1
180	CB-00004005	2427430008	WIRE HARNESS	30/30P H/H 1571#28+128C L=250	P904	1
181	#N/A	2427404006	WIRE HARNESS	4/2+2P H/A 1007#24 L=600	P905	1
182	#N/A	2427406001	WIRE HARNESS	6/6P H/H 1007#26+128C L=420	P906	1
183	#N/A	2427407001	WIRE HARNESS	7/7P H/H 1007#26+128C L=500	P907	1
184	A-PC-0106-0121	2427130046	POWER CORD	USA WALL 1.83M BLACK	P951	1
185	CB-00003425	2427701893	CABLE	RCA 3P(Y/R/W) 2562#26 1.8M BLK	P955	1
186	A-VC-0101-0386	2427501187	I/O CABLE	D15/D15 20276(3+6) 1.83M BLACK	P961	1
187	E-00000915	2360501196	FET,P-CH SMD	AP9435M SO-8 APEC	Q101 RA	1
188	#N/A	2360501696	FET,P-CH SMD	SI9435DY SO-8 VISHAY	Q101 RB	1
189	E-00000916	2360501596	FET,P-CH SMD	AO4405 SO-8 AO	Q101 RC	1
190	E-Q-0402-1608	2360300896	XISTOR,NPN R SMD	MMBT3904 SOT-23 FAIRCHILD	Q102 RA Q103 RA Q104 RA Q105 RA Q106 RA Q107 RA Q108 RA Q109 RA Q110 RA Q112 RA Q125 RA	11

Item	ViewSonic P/N	Ref. P/N	Description	Location	Q'ty	
191	E-Q-0402-1180	2360301296	XISTOR,NPN R SMD	MMBT3904 SOT-23 DIODES	Q103 RB Q104 RB Q105 RB Q106 RB Q107 RB Q108 RB Q109 RB Q110 RB Q112 RB Q125 RB	11
192	E-Q-0402-1378	2360300596	XISTOR,NPN R SMD	MMBT3904-7 SOT-23 VISHAY	Q103 RC Q104 RC Q105 RC Q106 RC Q107 RC Q108 RC Q109 RC Q110 RC Q112 RC Q125 RC	11
193	E-Q-0402-1624	2360301696	XISTOR,NPN R SMD	PMBS3904 SOT-23 PHILIPS	Q103 RD Q104 RD Q105 RD Q106 RD Q107 RD Q108 RD Q109 RD Q110 RD Q112 RD Q125 RD	11
194	#N/A	2360302196	XISTOR,NPN R SMD	MMBT3904 SOT-23 ON	Q103 RE Q104 RE Q105 RE Q106 RE Q107 RE Q108 RE Q109 RE Q110 RE Q112 RE Q125 RE	11
195	#N/A	2360500896	FET,P-CH SMD	FDS4953 FAIRCHILD	Q111 RA	1
196	#N/A	2360500796	FET,P-CH SMD	CEM4953 CET	Q111 RB	1
197	#N/A	2360510196	FET,P-CH SMD	SI4953DY SO-8 VISHAY	Q111 RC	1
198	#N/A	2360607696	FET,N-CH(SMD)	2N7002 FAIRCHILD SOT-23	Q115 RA Q116 RA Q117 RA Q118 RA	4
199	#N/A	2360608496	FET,N-CH(SMD)	2N7002K SOT-23 VISHAY	Q115 RB Q116 RB Q117 RB Q118 RB	4
200	#N/A	2360609096	FET,N-CH(SMD)	2N7002K SOT-23 PHILIPS	Q115 RC Q116 RC Q117 RC Q118 RC	4
201	#N/A	2360609196	FET,N-CH(SMD)	2N7002L SOT-23 ON	Q115 RD Q116 RD Q117 RD Q118 RD	4

Item	ViewSonic P/N	Ref. P/N	Description		Location	Q'ty
202	E-Q-0402-1607	2360100596	XISTOR,PNP R SMD	MMBT3906 SOT-23 FAIRCHILD	Q126 RA Q127 RA Q601 RA Q602 RA	4
203	#N/A	2360100696	XISTOR,PNP R SMD	PMBS3906 SOT-23 PHILIPS	Q126 RB Q127 RB Q601 RB Q602 RB	4
204	E-Q-0402-1375	2360100396	XISTOR,PNP R SMD	MMBT3906-7 SOT-23 VISHAY	Q126 RC Q127 RC Q601 RC Q602 RC	4
205	E-Q-0402-1607	2360100796	XISTOR,PNP R SMD	MMBT3906 SOT-23 DIODES	Q126 RD Q127 RD Q601 RD Q602 RD	4
206	#N/A	2360100896	XISTOR,PNP R SMD	MMBT3906LT1 SOT-23 ON	Q126 RE Q127 RE Q601 RE Q602 RE	4
207	E-R-0405-6411	2253210396	RES,CHIP 1/10W	RC 0603 1/10W 10Kohm J T	R104 R106 R108 R119 R124 R154 R155 R163 R164 R204 R206 R208 R210 R218 R221 R234 R235 R267 R268 R271 R272 R273 R387 R410 R412 R413 R491 R647 R649 R650 R651 R656 R679 R680	34
208	E-R-0405-6604	2253222296	RES,CHIP 1/10W	RC 0603 1/10W 2.2Kohm J T	R105 R107 R165 R166 R295 R296	6
209	#N/A	2253218196	RES,CHIP 1/10W	RC 0603 1/10W 180 ohm J T	R109 R430 R431	3
210	E-R-0405-6419	2253247296	RES,CHIP 1/10W	RC 0603 1/10W 4.7Kohm J T	R110 R111 R114 R115 R121 R144 R145 R161 R162 R176 R177 R275 R367 R417 R418 R435 R436 R507 R513	19
211	E-R-0405-6603	2253222096	RES,CHIP 1/10W	RC 0603 1/10W 22 ohm J T	R120 R201 R393	3
212	E-R-0405-7001	2253233096	RES,CHIP 1/10W	RC 0603 1/10W 33 ohm J T	R125 R126 R127	3
213	E-R-0405-6409	2253210196	RES,CHIP 1/10W	RC 0603 1/10W 100 ohm J T	R128 R129 R130 R131 R132 R135 R136 R138 R142 R143 R146 R147 R167 R172 R173 R174 R175 R189 R190 R219 R220 R242 R243 R292 R293 R294 R368 R369 R424 R425 R427 R514 R515 R516 R517 R518 R519 R520 R530 R531 R603 R604	42
214	#N/A	2253215296	RES,CHIP 1/10W	RC 0603 1/10W 1.5Kohm J T	R140	1
215	E-R-0405-7002	2253251196	RES,CHIP 1/10W	RC 0603 1/10W 510 ohm J T	R141	1
216	E-R-0405-6417	2253247096	RES,CHIP 1/10W	RC 0603 1/10W 47 ohm J T	R149 R150 R151 R152 R153 R256 R257 R377 R379 R434	10
217	#N/A	2251275096	RES,CHIP 1/10	RC 0603 1/10W 75 ohm F T	R169 R170 R171 R178 R179 R180	6
218	E-R-0405-6984	2253210496	RES,CHIP 1/10W	RC 0603 1/10W 100Kohm J T	R181 R182 R183 R184 R185 R186 R187 R188 R193 R194 R195 R196 R197 R198 R199 R200 R648 R654 R659 R662 R205 R260 R261 R262 R263 R264 R265	20
219	#N/A	2253218096	RES,CHIP 1/10W	RC 0603 1/10W 18 ohm J T	R209 R232 R289 R414 R415 R508 R631 R635 R638 R670 R673 R676	7
220	E-R-0405-6410	2253210296	RES,CHIP 1/10W	RC 0603 1/10W 1Kohm J T	R211 R212 R213 R215 R216 R217 R224 R225	12
221	#N/A	2253215396	RES,CHIP 1/10W	RC 0603 1/10W 15Kohm J T	R238 R240 R244 R245 R246 R247 R252	8
222	#N/A	2253256096	RES,CHIP 1/10W	RC 0603 1/10W 56 ohm J T	R239 R628 R629 R677 R678	7
223	E-R-0405-6416	2253233296	RES,CHIP 1/10W	RC 0603 1/10W 3.3Kohm J T	R241 R376 R493	5
224	E-R-0405-6601	2253210596	RES,CHIP 1/10W	RC 0603 1/10W 1Mohm J T		3

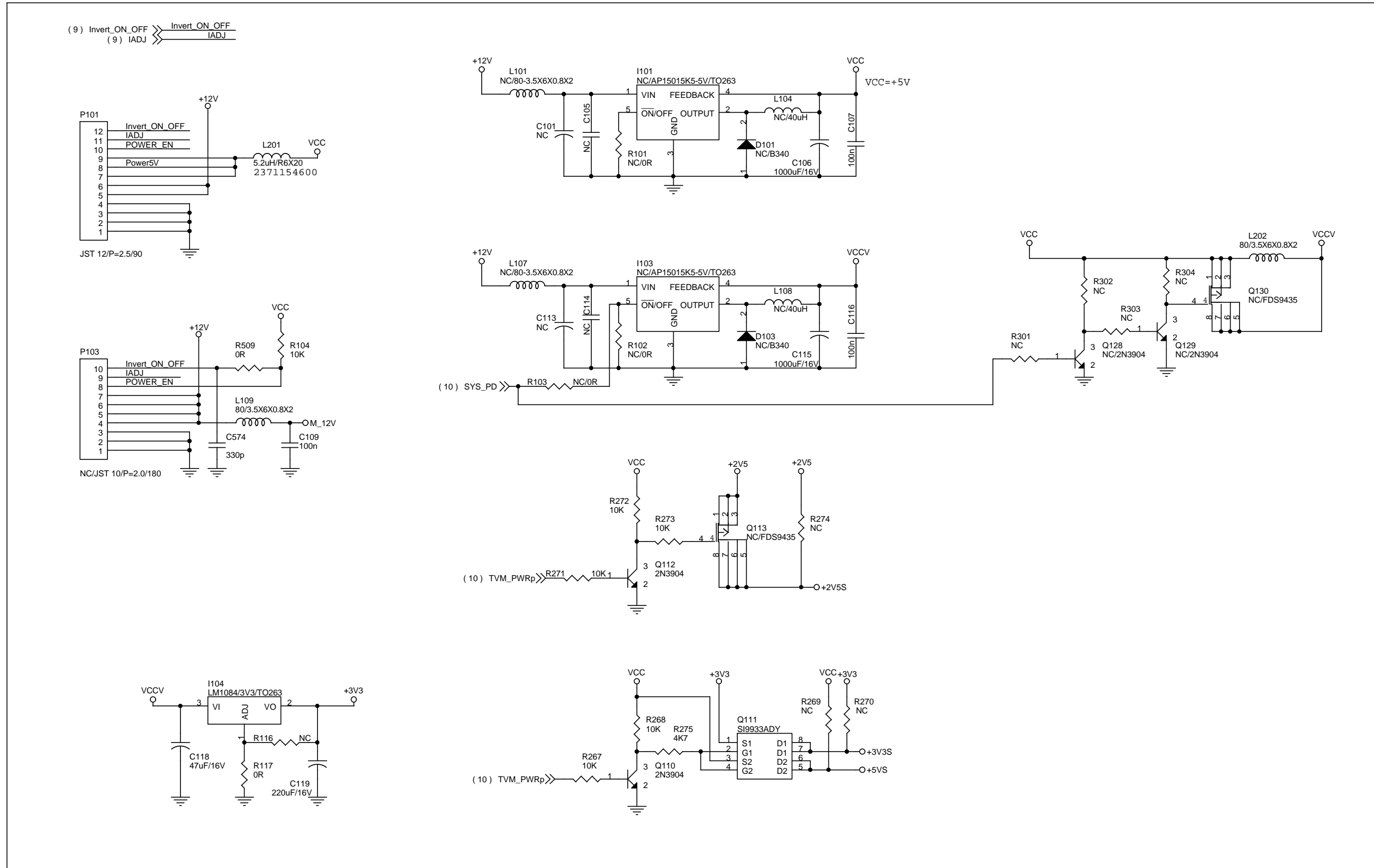
Item	ViewSonic P/N	Ref. P/N	Description		Location	Q'ty
225	E-00002111	2253222396	RES,CHIP 1/10W	RC 0603 1/10W 22Kohm J T	R248 R249 R250 R305 R306 R307 R308 R411 R416 R643 R667	11
226	#N/A	2253251096	RES,CHIP 1/10W	RC 0603 1/10W 51 ohm J T	R251	1
227	#N/A	2251228726	RES,CHIP 1/10	RC 0603 1/10W 28.7Kohm F T	R609	1
228	#N/A	2251263416	RES,CHIP 1/10	RC 0603 1/10W 6.34Kohm F T	R610	1
229	#N/A	2251219126	RES,CHIP 1/10	RC 0603 1/10W 19.1Kohm F T	R611	1
230	#N/A	2251222116	RES,CHIP 1/10	RC 0603 1/10W 2.21Kohm F T	R612	1
231	#N/A	2251210526	RES,CHIP 1/10	RC 0603 1/10W 10.5Kohm F T	R613 R614 R615 R618	4
232	#N/A	2251257616	RES,CHIP 1/10	RC 0603 1/10W 5.76Kohm F T	R616 R617	2
233	#N/A	2251231626	RES,CHIP 1/10	RC 0603 1/10W 31.6Kohm F T	R619	1
234	#N/A	2251242226	RES,CHIP 1/10	RC 0603 1/10W 42.2Kohm F T	R620	1
235	#N/A	2251263426	RES,CHIP 1/10	RC 0603 1/10W 63.4Kohm F T	R621	1
236	#N/A	2251215826	RES,CHIP 1/10	RC 0603 1/10W 15.8Kohm F T	R622	1
237	#N/A	2251217826	RES,CHIP 1/10	RC 0603 1/10W 17.8Kohm F T	R623	1
238	#N/A	2251222626	RES,CHIP 1/10	RC 0603 1/10W 22.6Kohm F T	R624	1
239	#N/A	2251222616	RES,CHIP 1/10	RC 0603 1/10W 2.26Kohm F T	R625	1
240	#N/A	2251230916	RES,CHIP 1/10	RC 0603 1/10W 3.09Kohm F T	R626	1
241	#N/A	2251248716	RES,CHIP 1/10	RC 0603 1/10W 4.87Kohm F T	R627	1
242	#N/A	2253600096	RES CHIP 1/2W	RC 2010 1/2 W 0 ohm J T	R630 R645 R655 R664 R632 R633 R644 R652 R657 R658 R663 R675	4
243	#N/A	2251210086	RES,CHIP 1/10	RC 0603 1/10W 1 ohm F T	R636 R637 R671 R672	8
244	#N/A	2253224296	RES,CHIP 1/10W	RC 0603 1/10W 2.4Kohm J T	R639 R668	4
245	#N/A	2253239396	RES,CHIP 1/10W	RC 0603 1/10W 39Kohm J T		2
246	E-R-0405-6422	2259247008	RES,CHIP NETWORKS	8P4R 1/16W 47 ohm J P=0.8	RP01 RP02 RP03 RP04 RP05 RP06 RP17 RP18 RP19 RP20 RP21 RP22 RP23 RP24 RP28 RP32	17
247	#N/A	2259210308	RES,CHIP NETWORKS	8P4R 1/16W 10Kohm J P=0.8	RP13 RP14 RP15 RP16	4
248	M-SW-0815-0182	2403702200	SWITCH,PU-TC	TSAA-2 HUAJIE	S702 S703 S704 S7050 S706 S707 S701	7
249	#N/A	2407001700A	SOCKET,ASSY	INLET+CON/SW 1015#18 L=110	S801	1
250	B-00003867	2202520300	PCB	JC328A11U M/B FR4*4 310*240	U601	1
251	#N/A	2202129800	PC BOARD	JC278 KEY/B CEM1 120*20 V1.00	U701	1
252	#N/A	2202130900	PC BOARD	JC32A IR/B CEM1 54*53	U702	1
253	#N/A	2200202300	PC BOARD ASS'Y	FSP212-3F01 JC328 SPI	U801 RA	1
254	#N/A	2200202400	PC BOARD ASS'Y	201-C001 JC328 DARFON	U801 RB	1
255	#N/A	2200202500	PC BOARD ASS'Y	OVP-007 LIEN CHANG	U801 RC	1
256	E-00003571	2212008100	LCD PANEL	T315XW01 V2 AU	V901	1
257	#N/A	2391310061	SPEAKER ASS'Y	10W/6ohm W60*L228*H74.5 J.G	W901	2
258	#N/A	2369105101	XTAL,OSC	18.432MHZ/49US 0.1mW/30pF	X102	1
259	#N/A	2369105301	XTAL,OSC	20.000MHZ/49US 0.1mW/16pF	X103	1
260	E-X-0415-0111	2369102901	XTAL,OSC	14.31818MHZ/49US 0.1mW/30pF	X105	1
261	E-X-0415-0119	2369103601	XTAL,OSC	12.000MHZ/49US 0.1mW/30pF	X107	1

6. BLOCK DIAGRAM

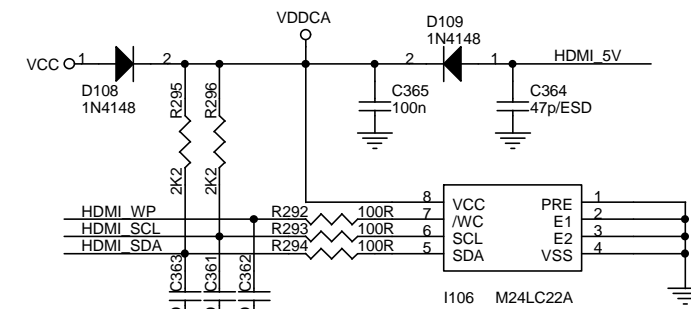
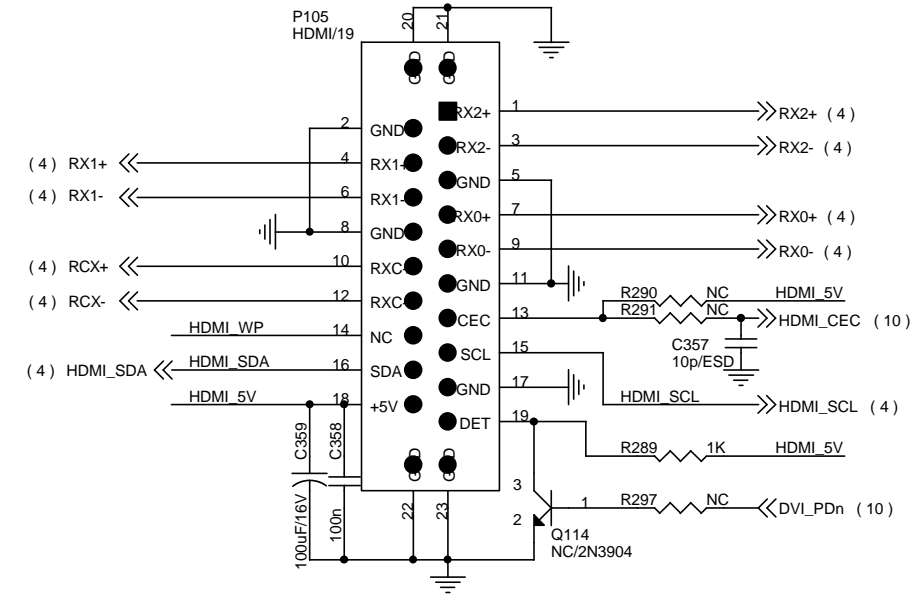
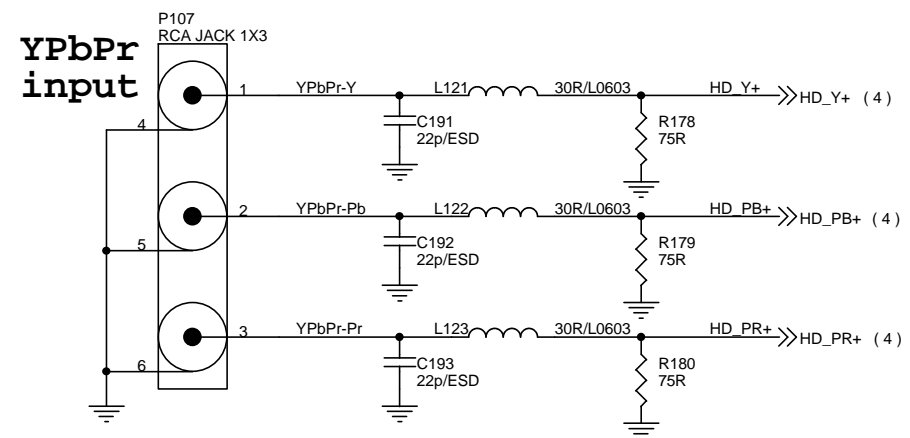
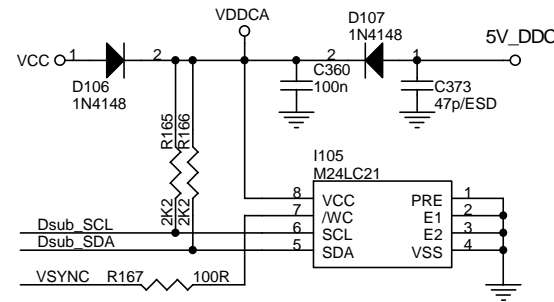
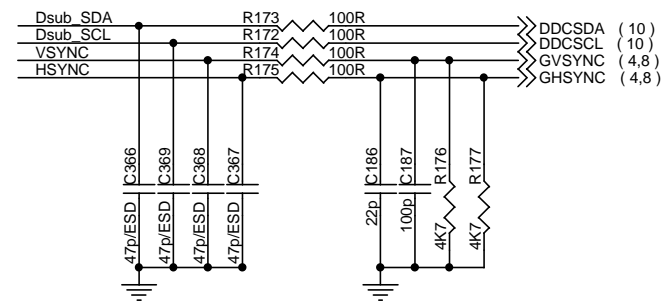
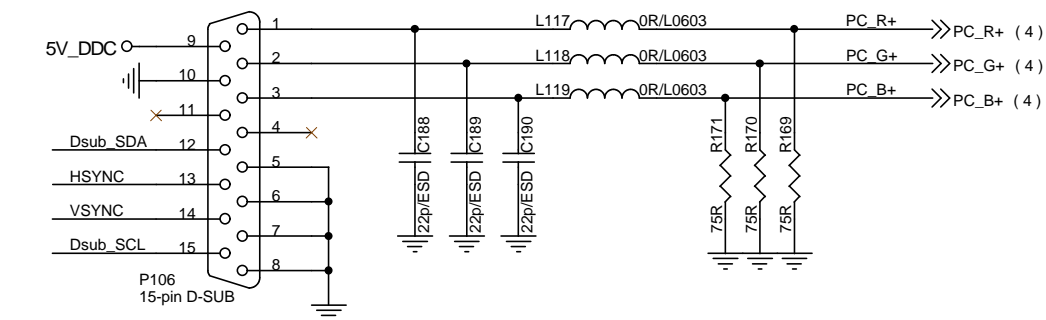


# 7. SCHEMATIC DIAGRAM

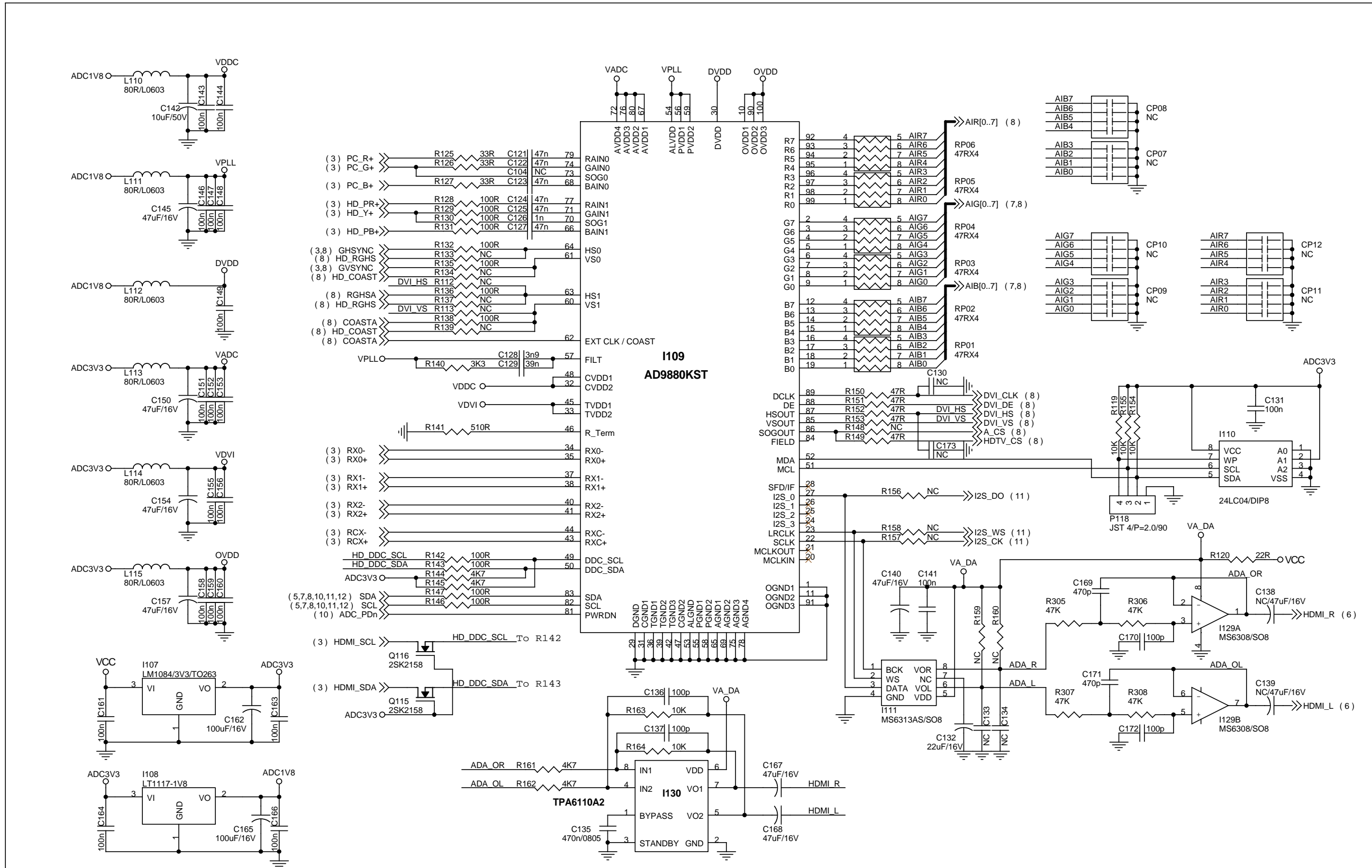
## 7.1 DC POWER



## 7.2 VGA & YPbPr & HDMI

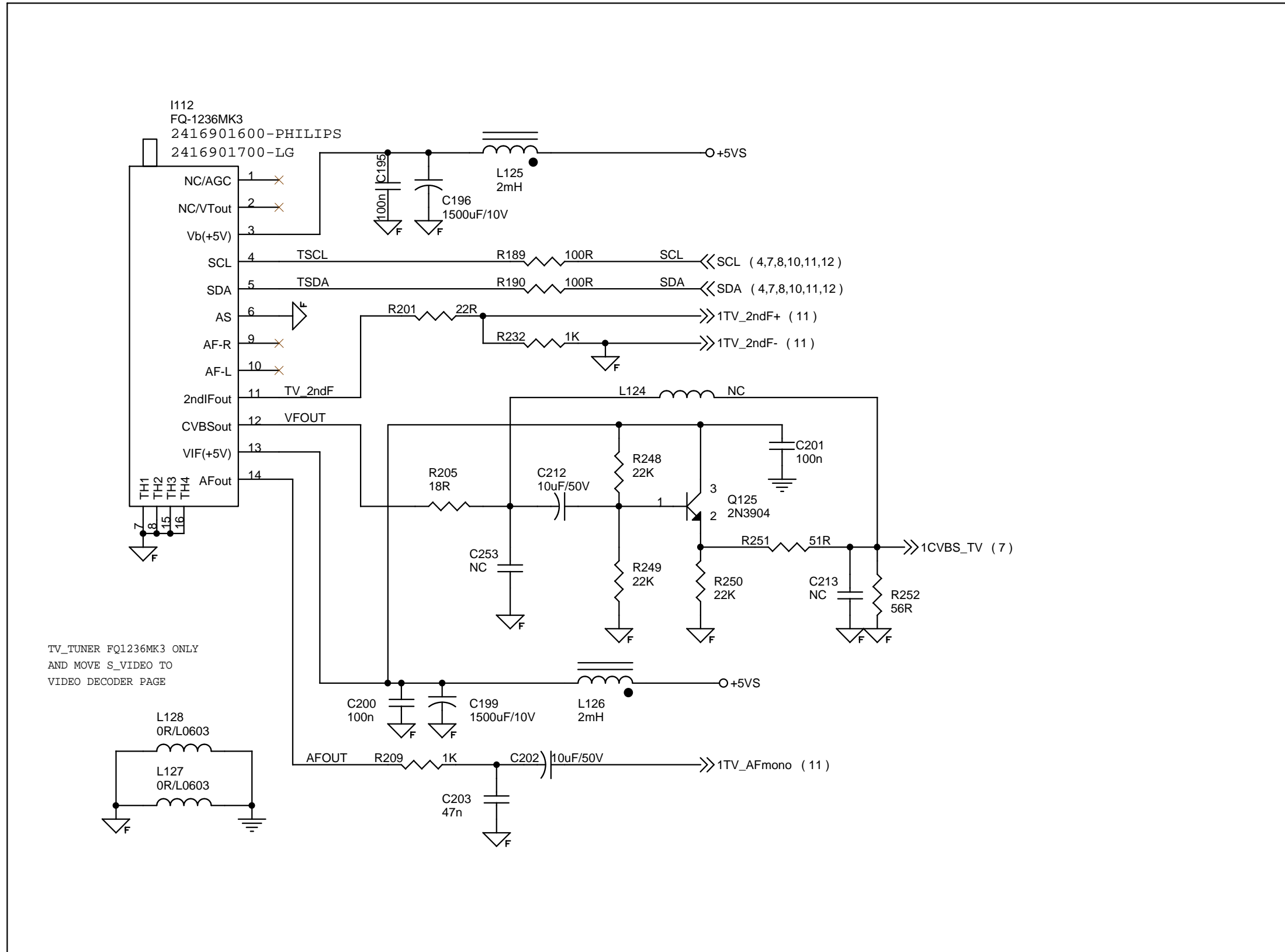


### 7.3 ADC-AD9880

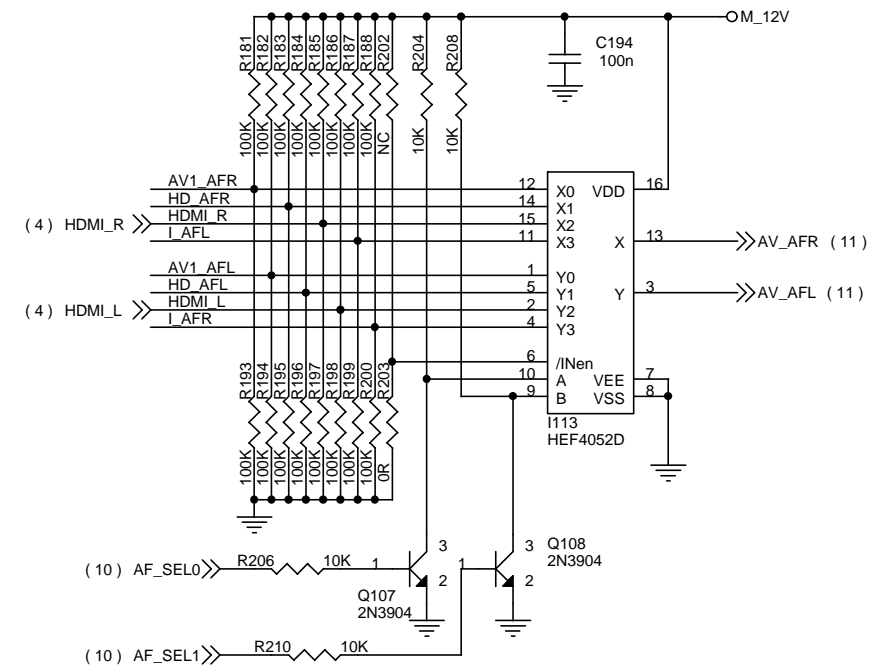
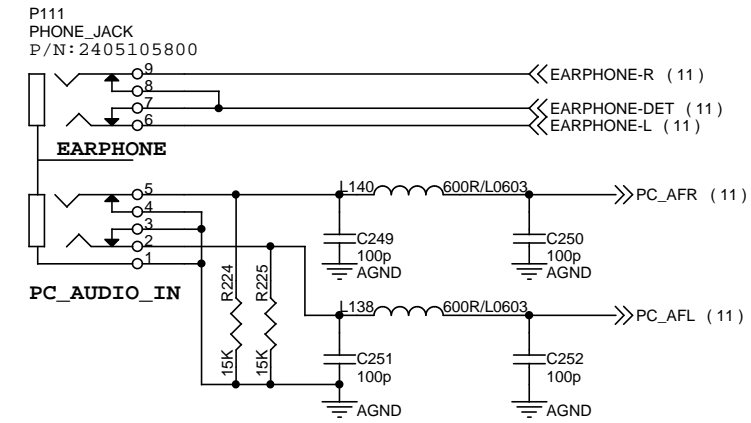
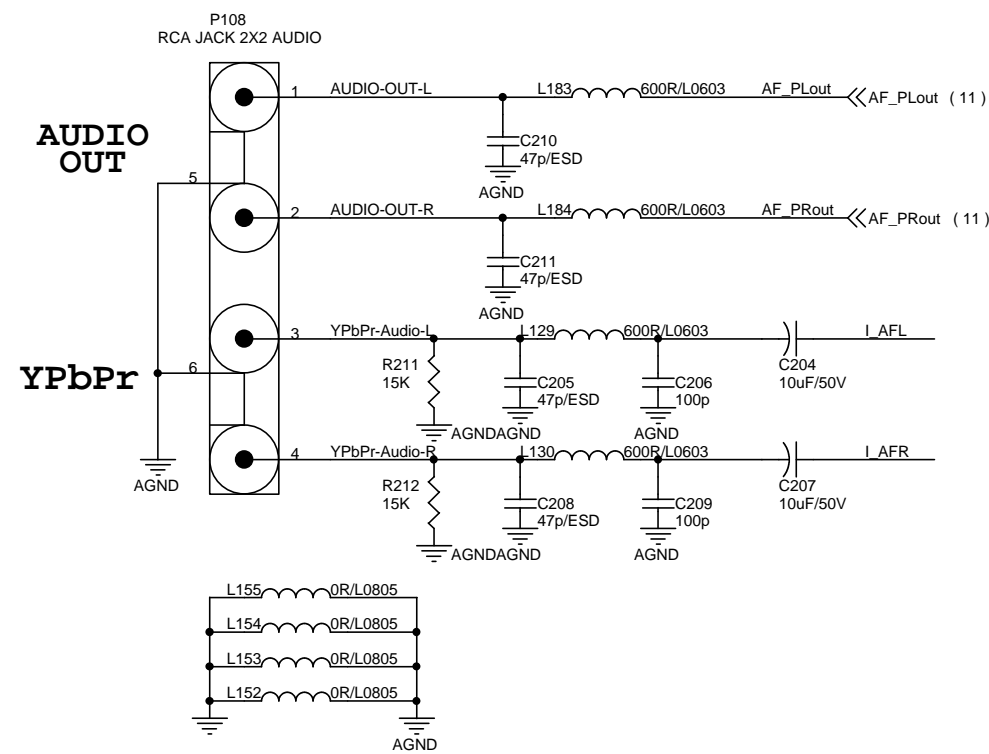
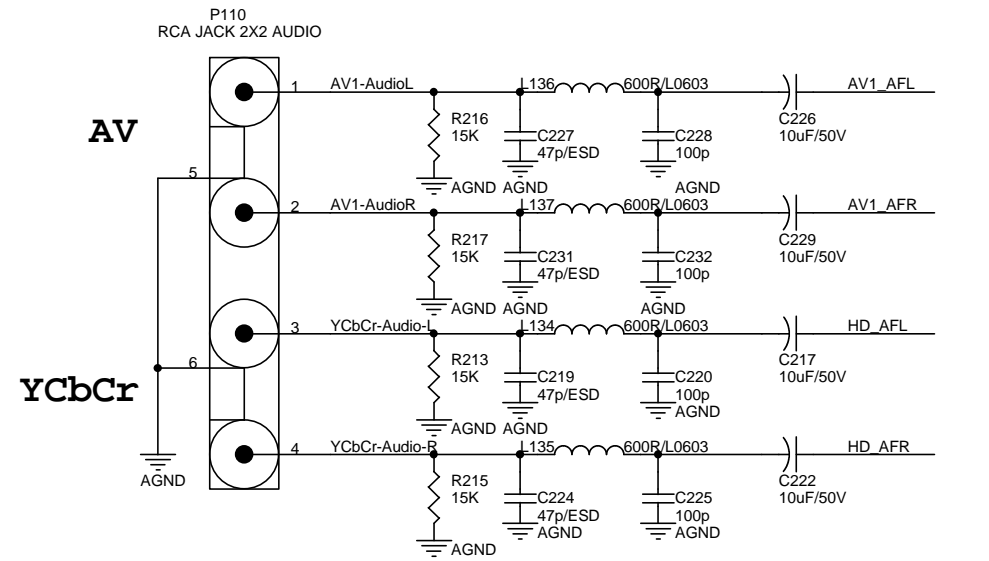




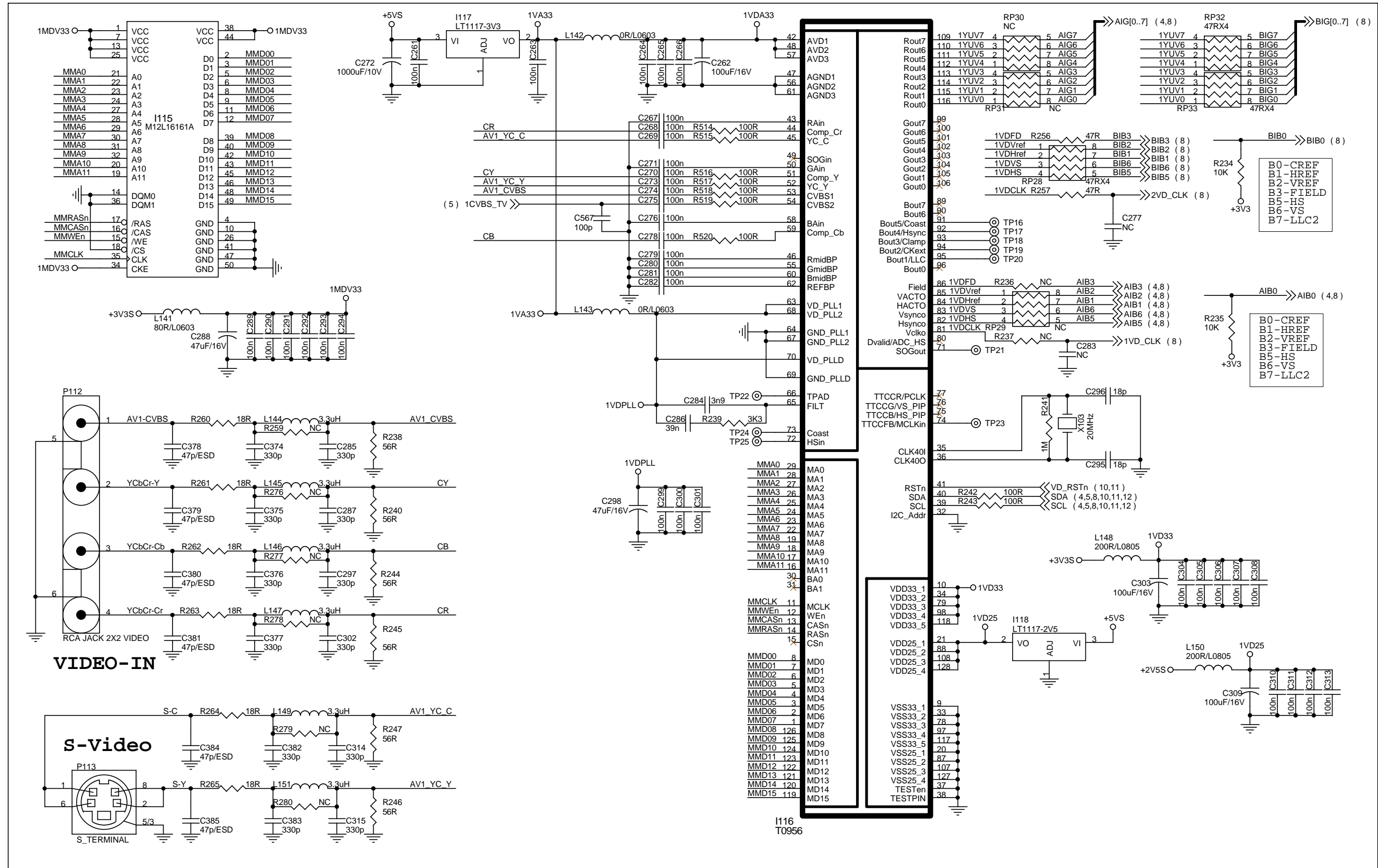
### 7.4 TV-TUNER



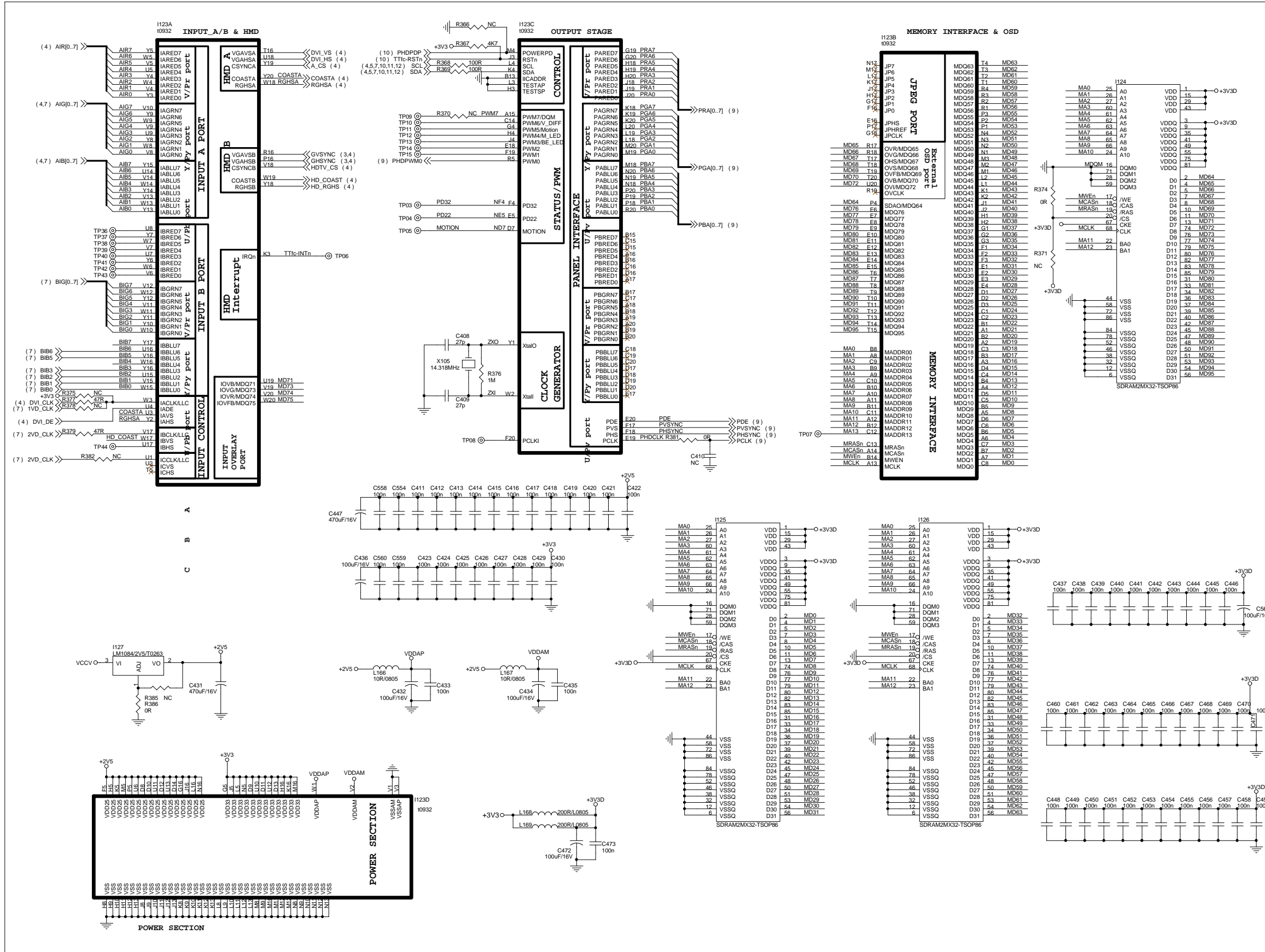
## 7.5 Audio Input



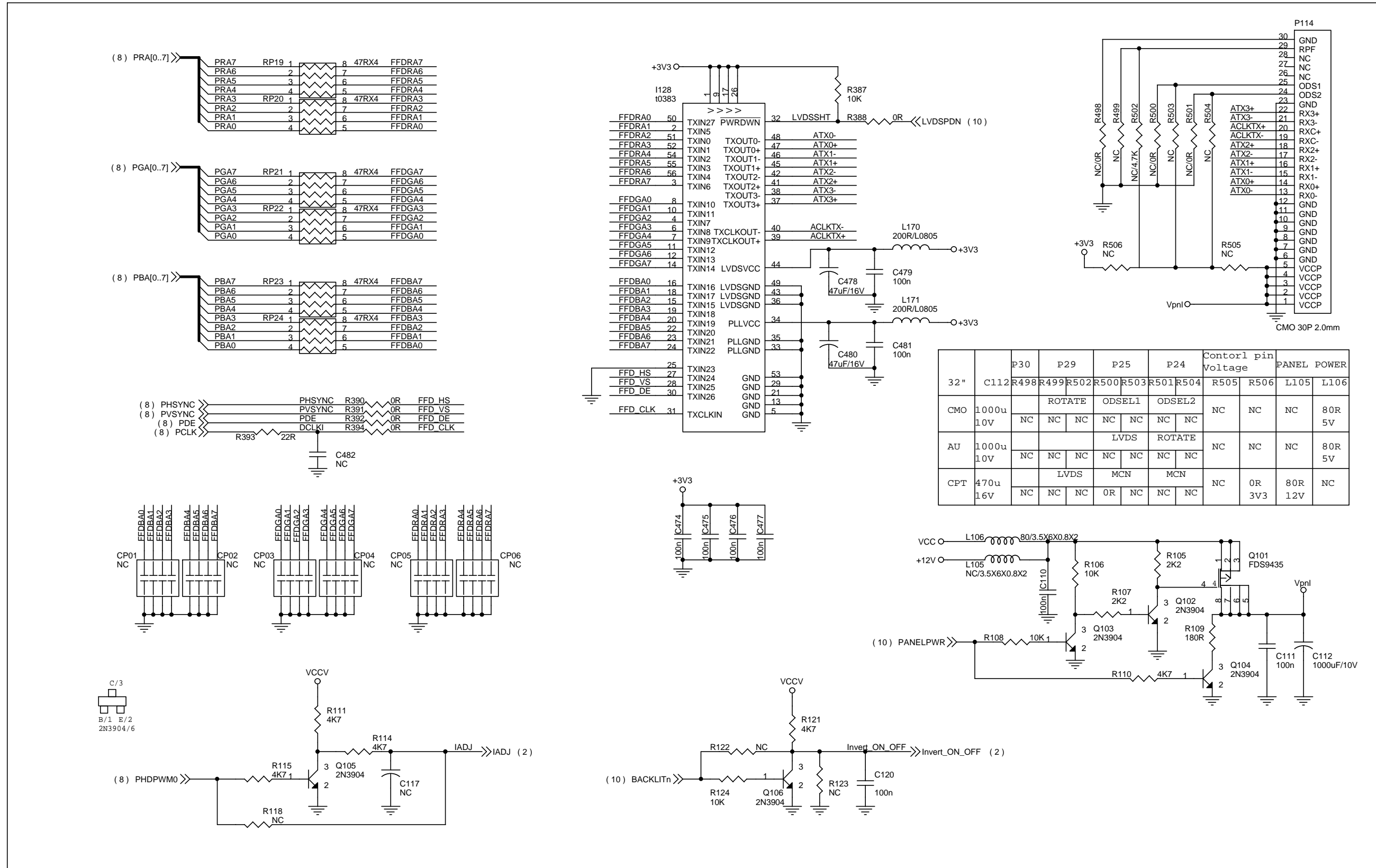
### 7.6 Video decoder with 3D COMB



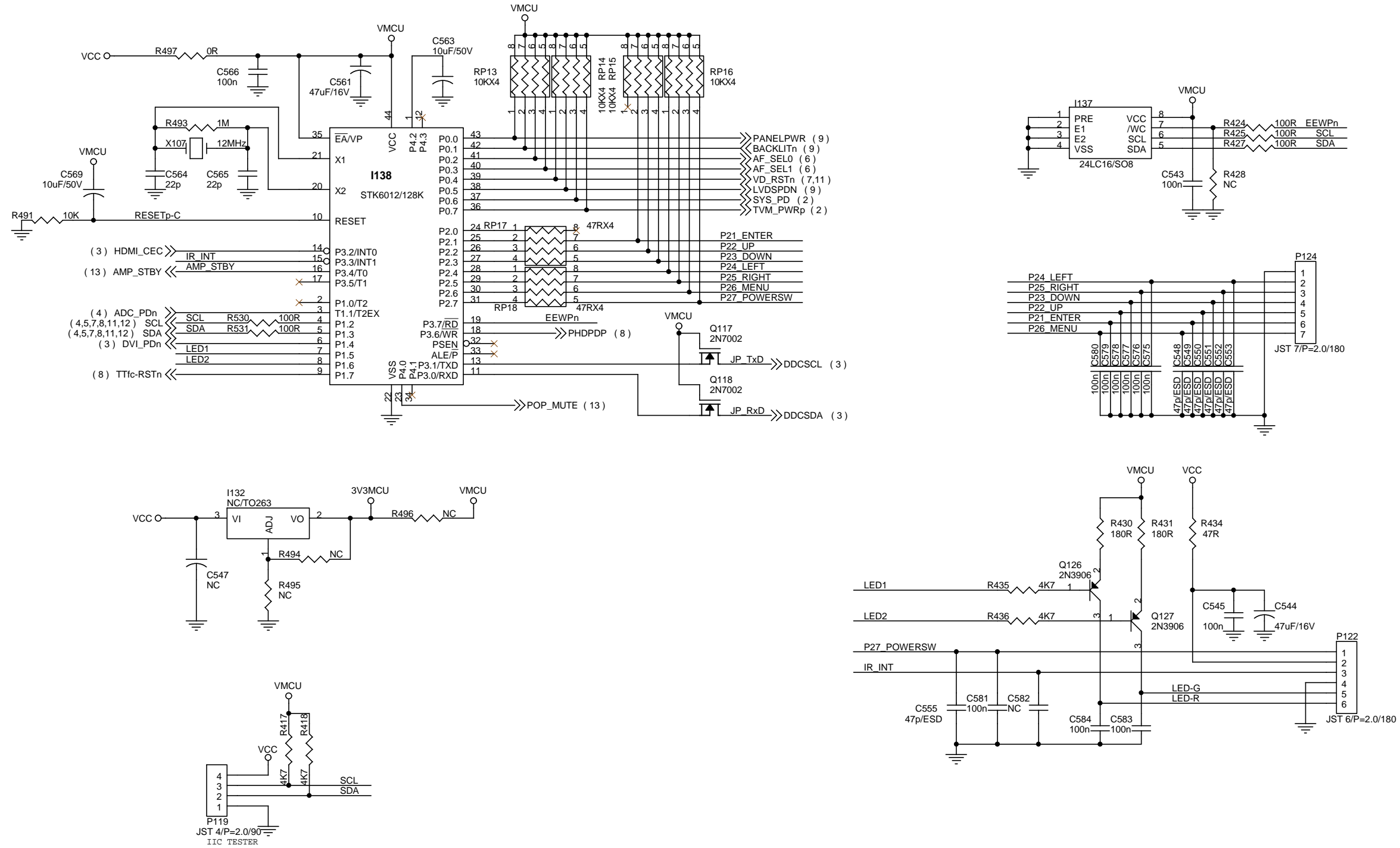
# 7.7 SCALER/SDRAM



### 7.8 PANEL Output

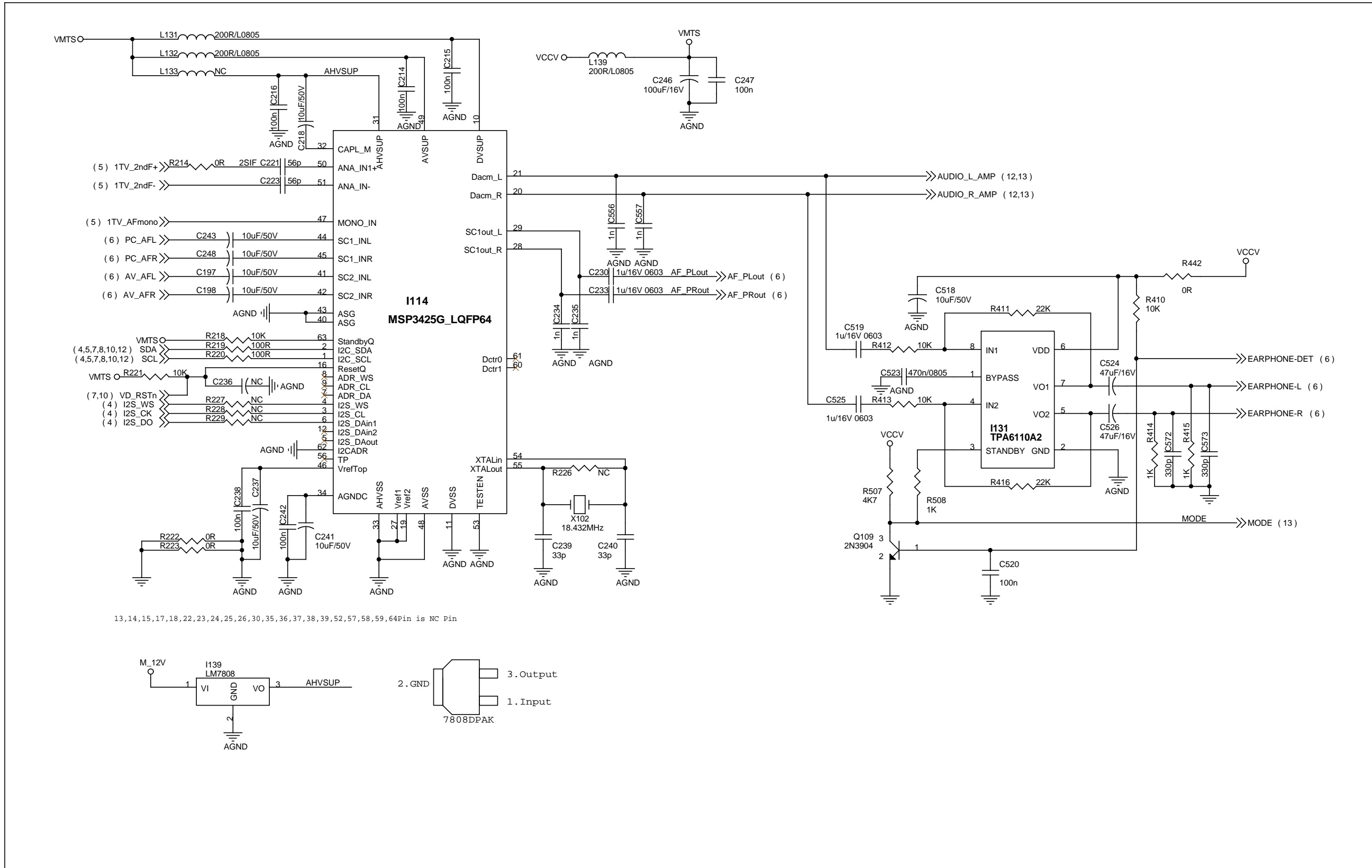


# 7.9 MCU

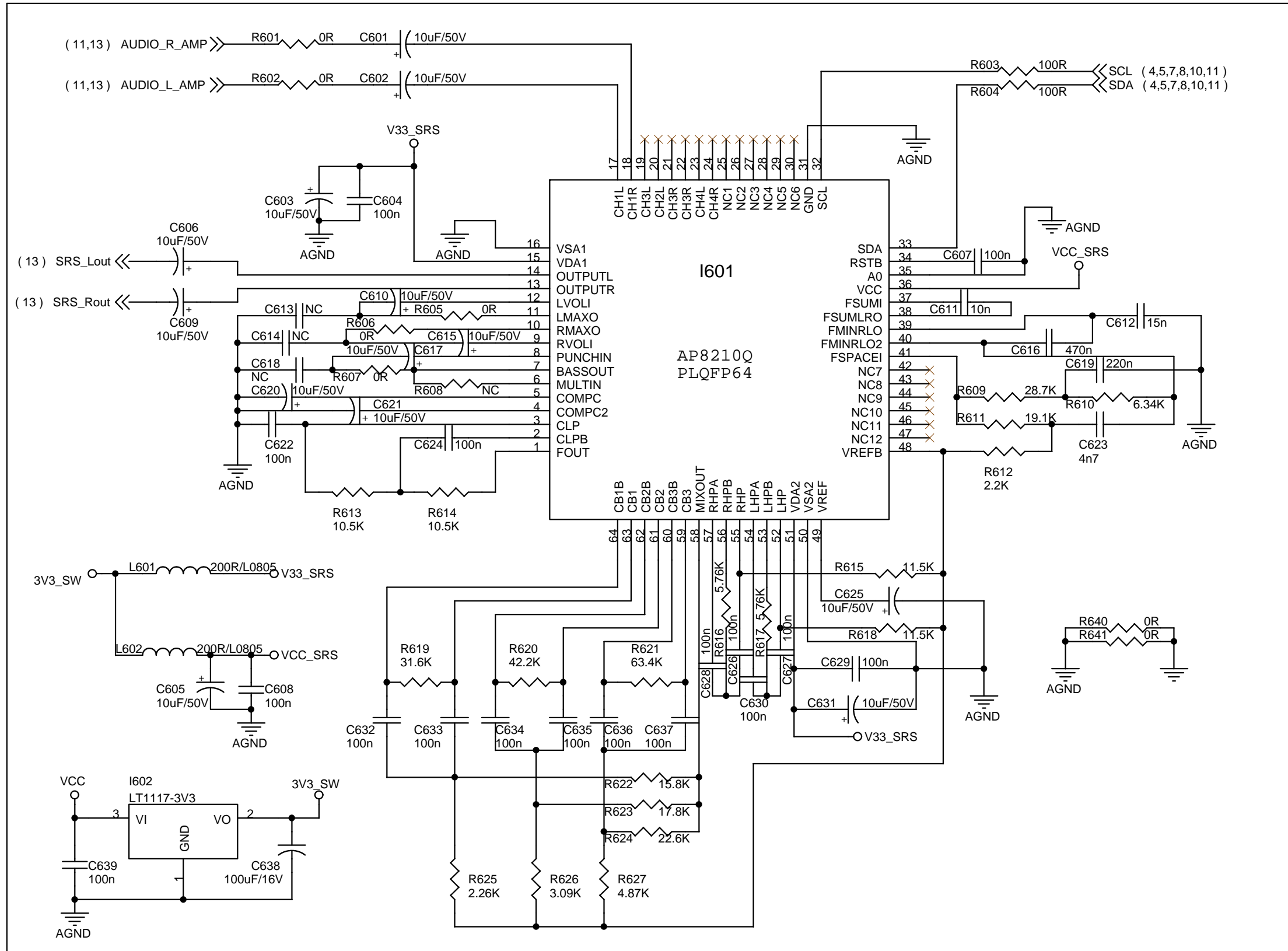




### 7.10 Audio decoder

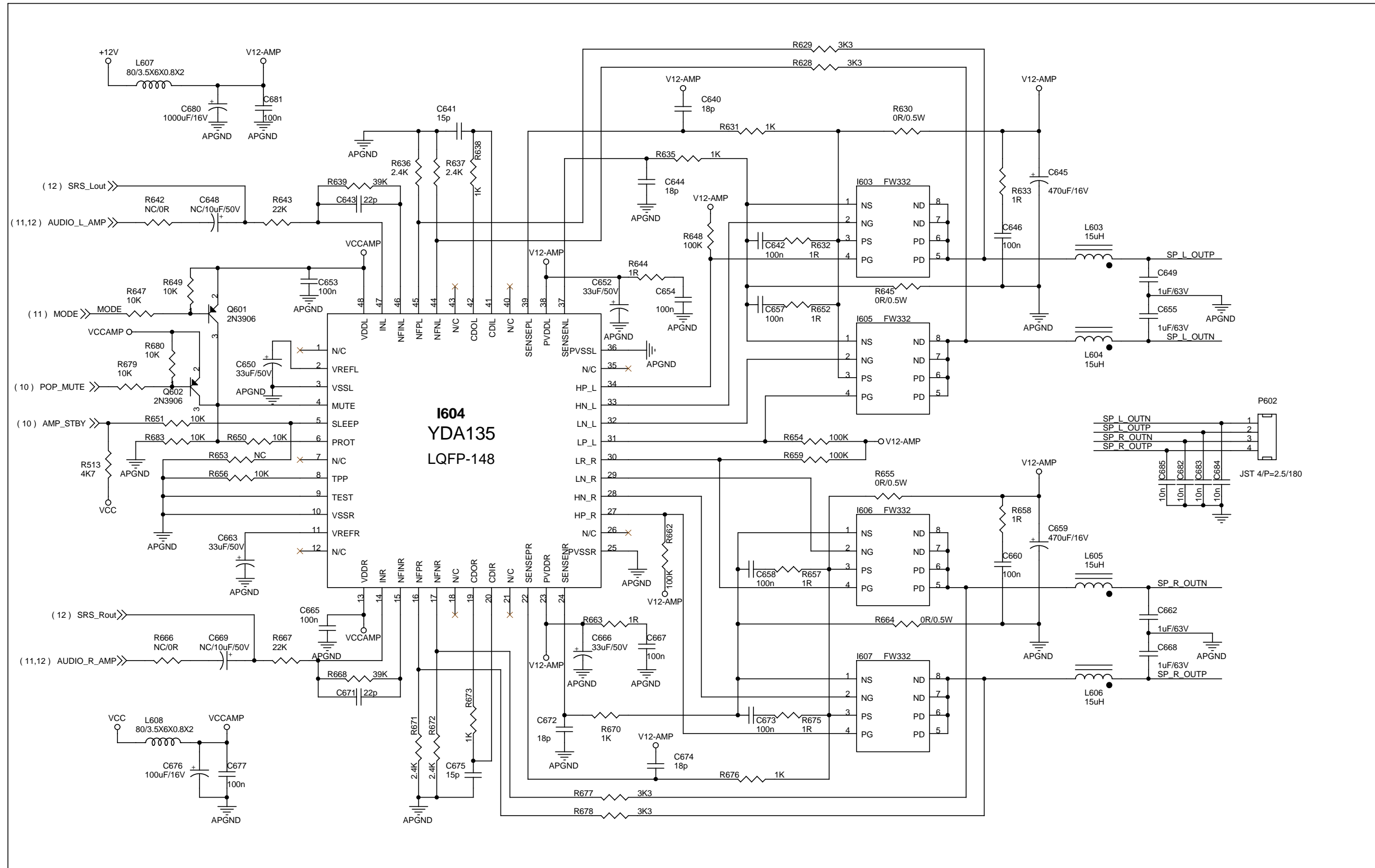


7.11 SRS-WOW

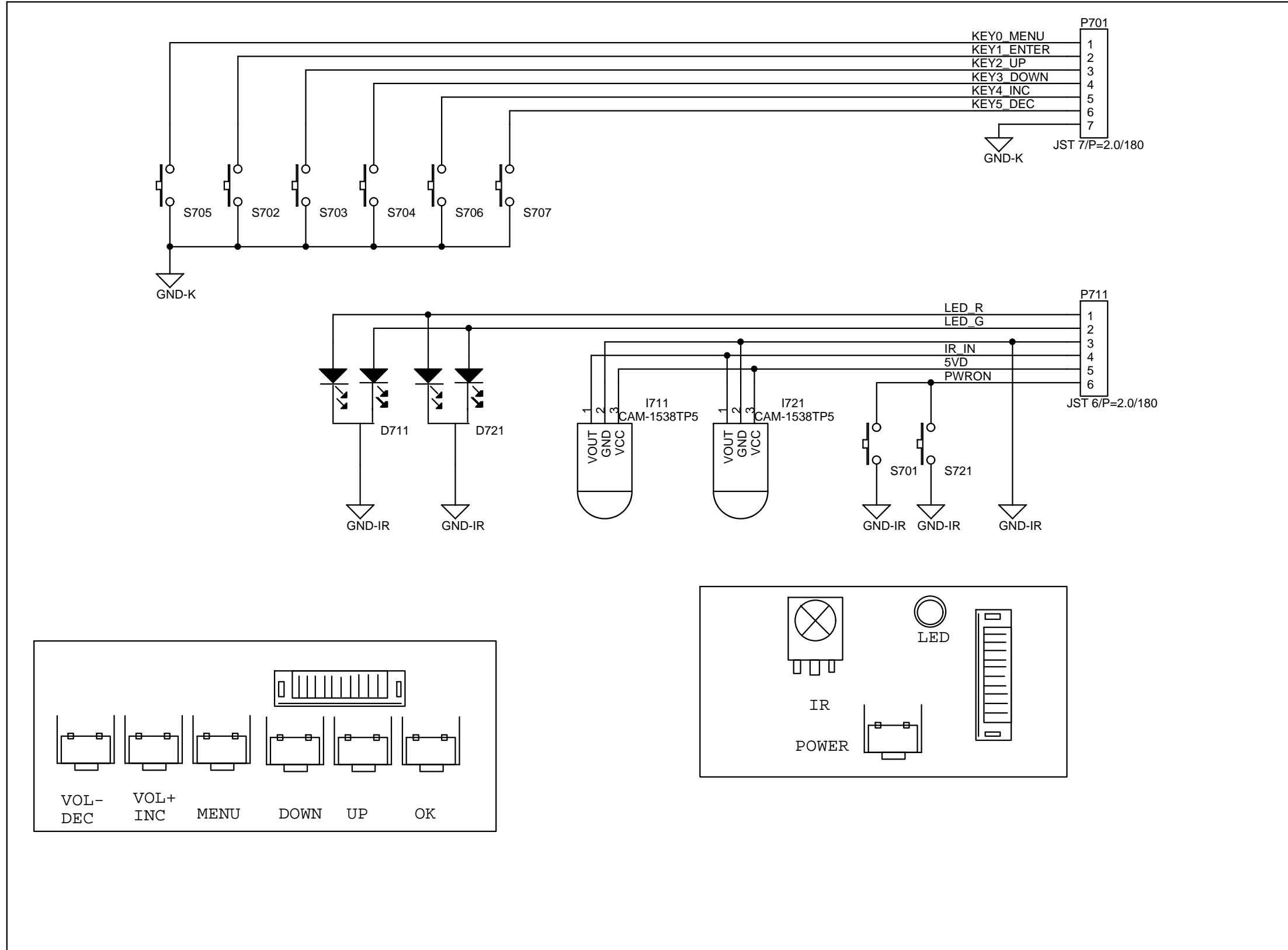




### 7.12 Audio AMP



7.13 KEY-PAD & IR



## 8. WORKING THEOREM

### A. A/D converter (PC & YPbPr) and HDMI input

The AD9880 offers designers the flexibility of an analog interface and High-Definition Multimedia Interface (HDMI) receiver integrated on a single chip. Also included is support for High bandwidth Digital Content Protection (HDCP).

#### Analog Interface

The AD9880 is a complete 8-bit 165 MSPS monolithic analog interface optimized for capturing Component Video (YPbPr) and RGB graphics signals. Its 165 MSPS encode rate capability and full power analog bandwidth of 300 MHz supports all HDTV formats (up to 1080p) and FPD resolutions up to UXGA (1600 x 1200 @ 60 Hz). The analog interface includes a 165 MHz triple ADC with internal 1.25V reference, a Phase Locked Loop (PLL), and programmable gain, offset, and clamp control. The user provides only 1.8V and 3.3V power supply, analog input, and Hsync. Three-state CMOS outputs may be powered from 1.8V to 3.3V. The AD9880's on-chip PLL generates a pixel clock from Hsync. Pixel clock output frequencies range from 12MHz to 165 MHz. PLL clock jitter is typically less than 500 ps p-p at 165 MHz. The AD9880 also offers full sync processing for composite sync and Sync-on-Green (SOG) applications.

#### Digital Interface

The AD9880 contains a HDMI 1.0 compatible receiver and supports all HDTV formats (up to 1080p) and display resolutions up to UXGA (1600 x 1200 @ 60 Hz). The receiver features an intra-pair skew tolerance of up to one full clock cycle. With the inclusion of HDCP, displays may now receive encrypted video content. The AD9880 allows for authentication of a video receiver, decryption of encoded data at the receiver, and renew ability of that authentication during transmission as specified by the HDCP v1.1 protocol.

Fabricated in an advanced CMOS process, the AD9880 is provided in a space-saving 100-lead LQFP surface-mount Pb free plastic package and is specified over the 0 °C to 70 °C temperature range.

### B. Video Decoder (video)

The T0956 is a highly integrated NTSC, PAL, and SECAM video decoder support for high quality LCD-TV video applications. With an embedded SDRAM controller, T0956 supports NTSC/PAL chroma and luma separation using a 3-dimensional adaptive comb filter for reducing the cross-luma and cross-chroma artifacts. The frame buffer is also use for 3D noise reduction circuit that resumes good visual quality when the input signal is a noisy video source

The three 9-bits 108-MSPS A/D converters in the T0956 chip can be used for digitalizing RGB from PC or YPbPr component signals as well. Prior to each channel contains the AGC and clamping circuits with programmable gain and offset. A total of 10 video input terminals can be configured to combinations of RGB, YPbPr, CVBS, S-Video inputs. The component, composite, or S-Video signals are sampled at a free-run external clock frequency (20~80 MHz). After the video decoder processing, the video data was sent out with a line-locked alignment rate (27 MHz).

The T0956 comes with 128-pin QFP package.

### C. Scaling controller

The t0932 chip is a LCD-TV controller chip for color display up to SXGA or 1400\*1050 wide screen panel. It includes a 96/64-bits controller for frame rate conversion and 3D interlace-to-progressive video processing. It also supports non-linear scaling for 4:3 to/form 16:9 conversion, flexible picture in video display, cinema to TV conversion, hue/saturation adjustment, and advanced OSD system.

The t0932 chip is targeted for the applications of high-end LCD-TV. It will accept all HDTV video signals for flat panel display. It comes with 336-pin and 316-pin BGA package.

General Feature:

- 96/64-bit DRAM controller for interlaced to progressive video processing and fram-rate conversion for computer graphics.
- PIP (picture in picture)
- On chip advanced OSD and pixel-based OSD from JPEG port.
- Hardware mode detection for HDTV.
- Two sets of mode detection for flexible simultaneous main-and sub-picture display.
- Copy protection detect and display enable.
- On chip hue, saturation, brightness, contrast, and gamma correction.
- Max pixel rate up to 135 MHz.
- Video Black White Expansion.
- Flesh tone adjustment.
- Improved temporal-spatial dithering.
- Non-linear scaling for 4:3 to/form 16:9 conversion.
- Auto cinema mode detection, 3:2/2:2 pull-down, and 3D de-interlacing.
- Desk and ceiling mode for projector application.
- PWM (Pulse Width Modulators) from 28K to 100Hz.

**D. Audio**

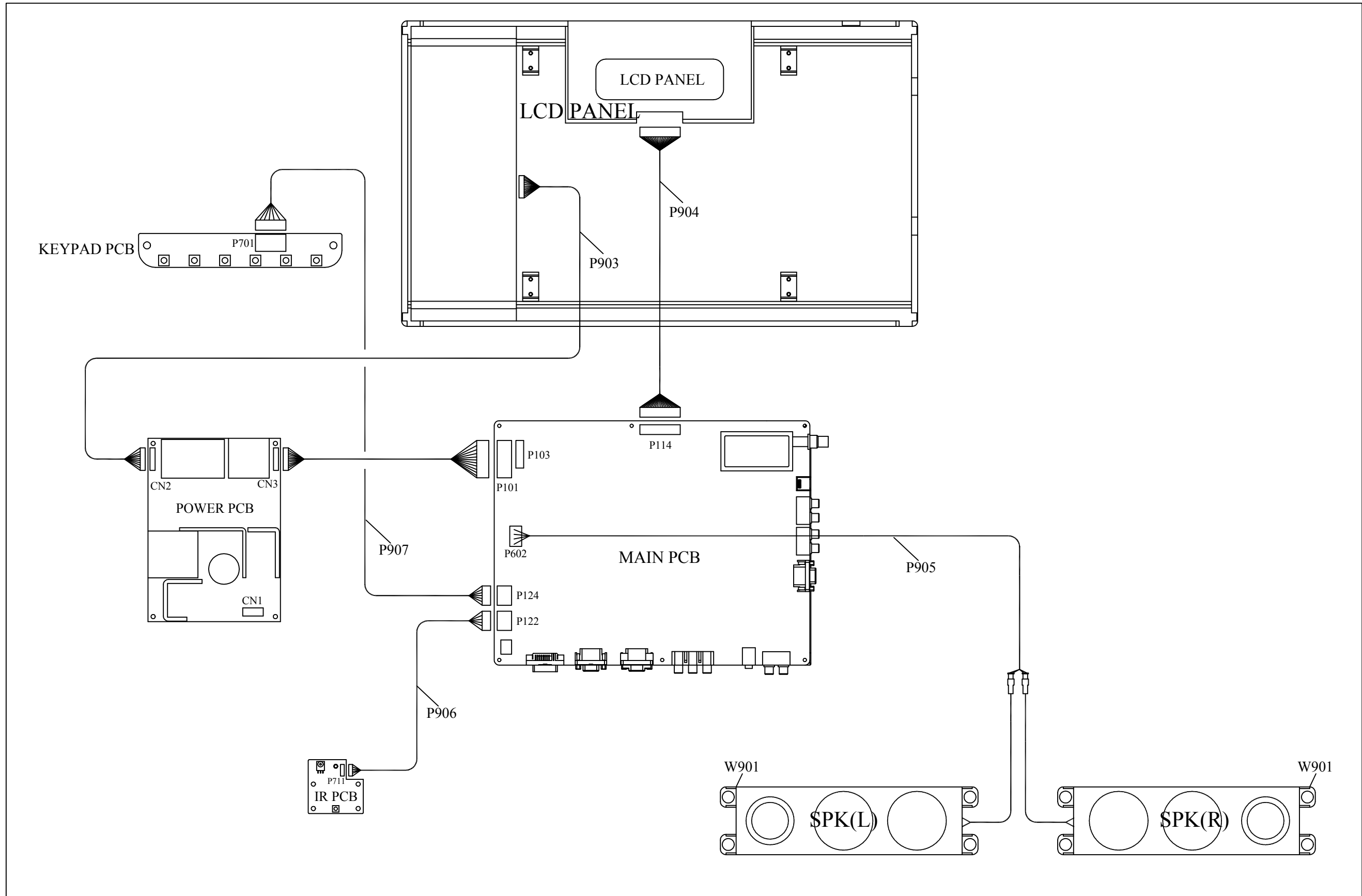
Three audio sources put into MSP 3425G or MSP 3445G which first select the sources and do pre-amplify. The bass treble control also is provided. The control of all the functions is accomplished by serial bus. Audio amplifier put into IC YDA135 is a class-D amplifier that is output power of 20W/channel on a 12V power supply operation.

The AP8210Q SRS WOW Universal Audio Processor (UAP) is an extraordinary and highly single chip audio enhancement processor based on SRS Lab Inc.'s patented WOW technology.

**E. Tuner**

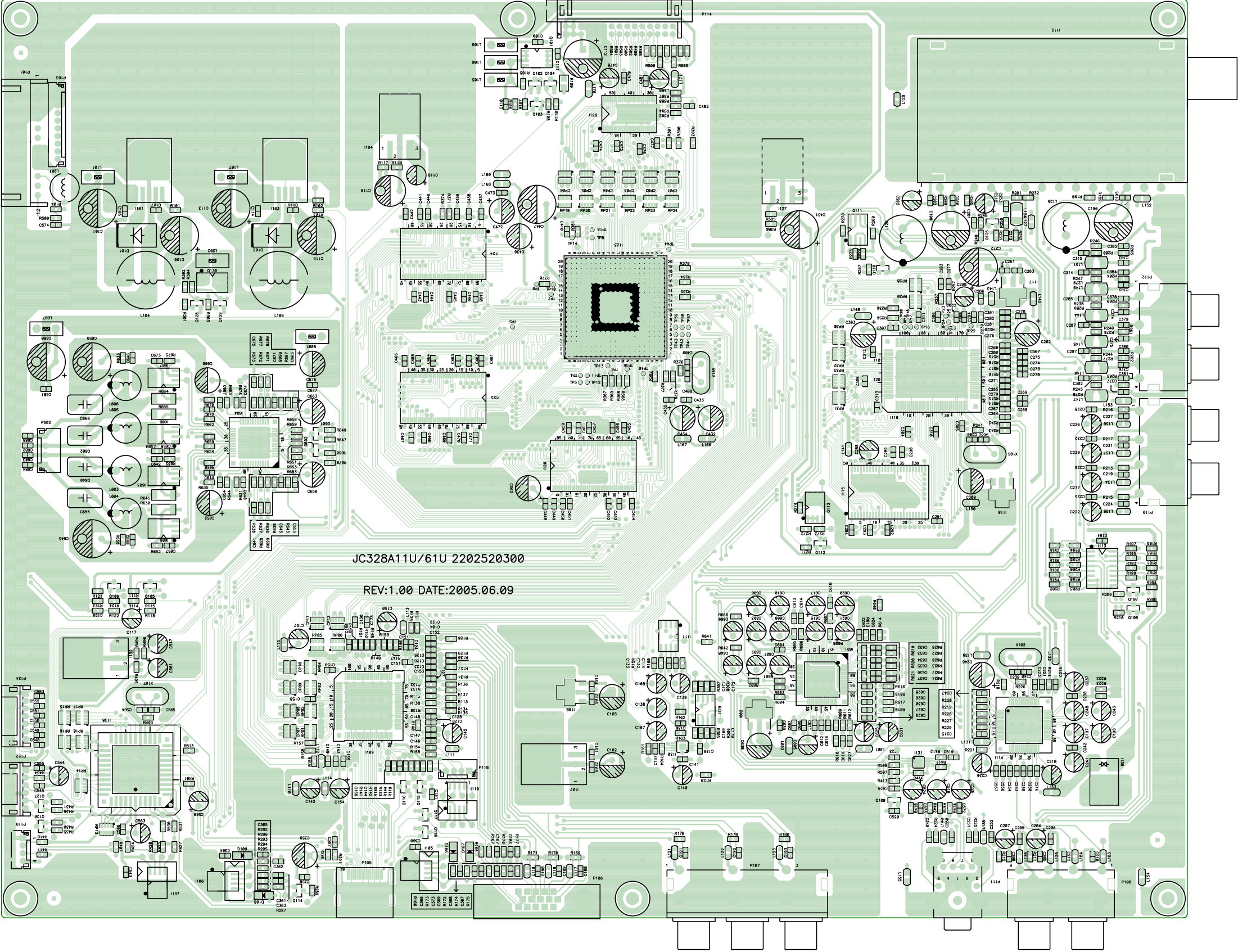
The Antenna receive the TV signal and modulate it to the CVBS signal which can be recognized by the decoder and FM-stereo/FM-mono/NICAM audio signal output to the sound Automatic standard decoder IC MSP3425G or MPS3445G. The MCU can automatic detect the tuner and send order by serial bus.

# 9. WIRING DIAGRAM



10. PCB LAYOUT

10.1 MAIN PCB TOP VIEW

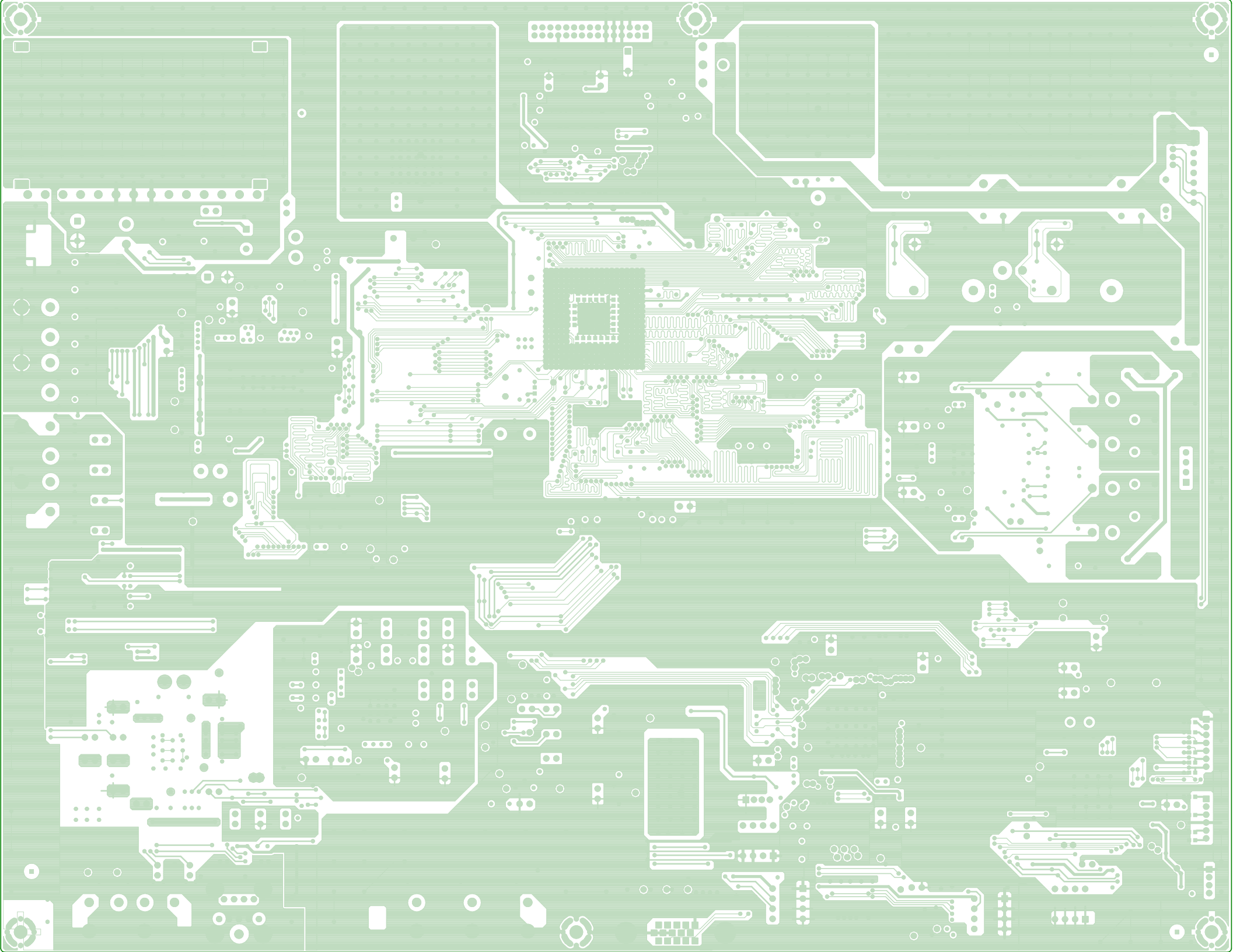


JC328A11U/61U 220520300

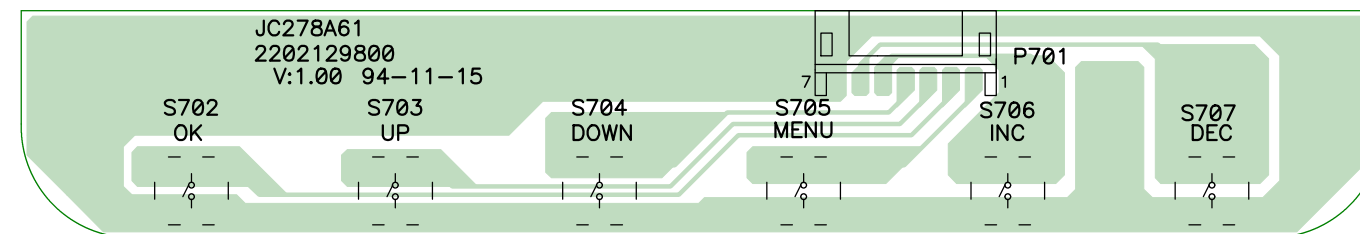
REV:1.00 DATE:2005.06.09



10.2 MAINPCB BOTTOM VIEW

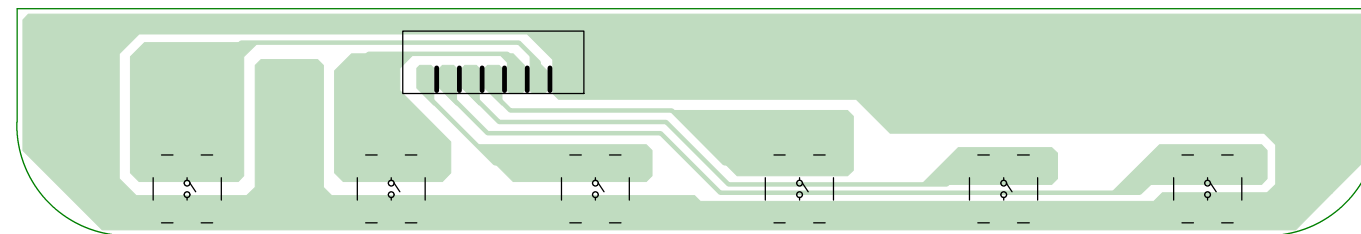


10.3 KEYPAD PCB TOP VIEW

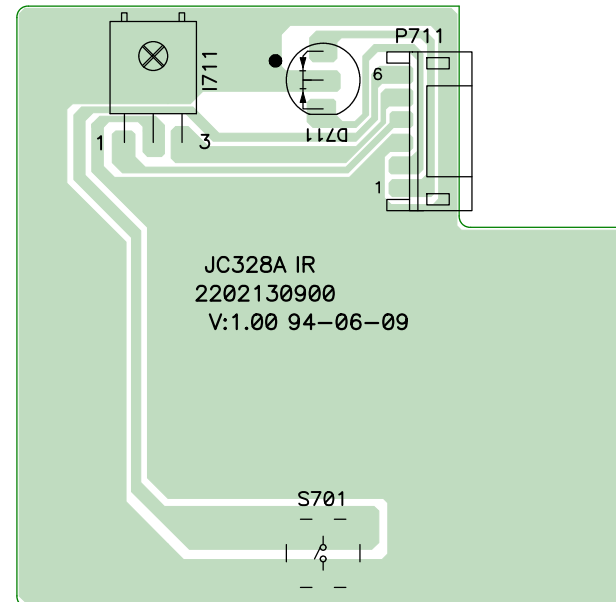




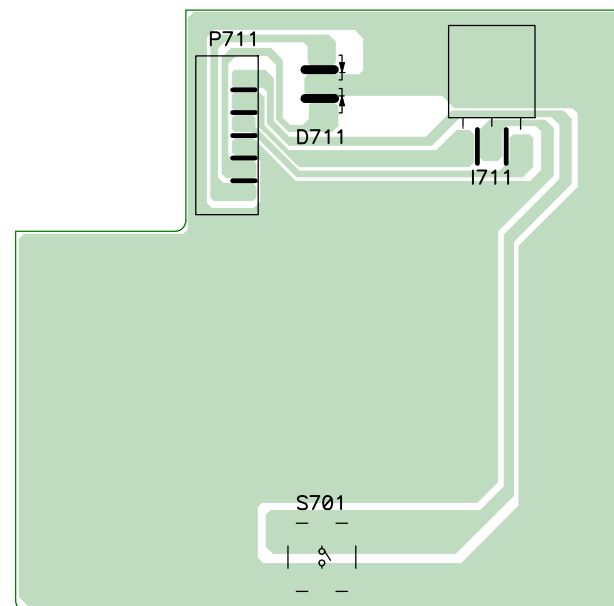
10.4 KEYPAD PCB BOTTOM VIEW



10.5 IR PCB TOP VIEW

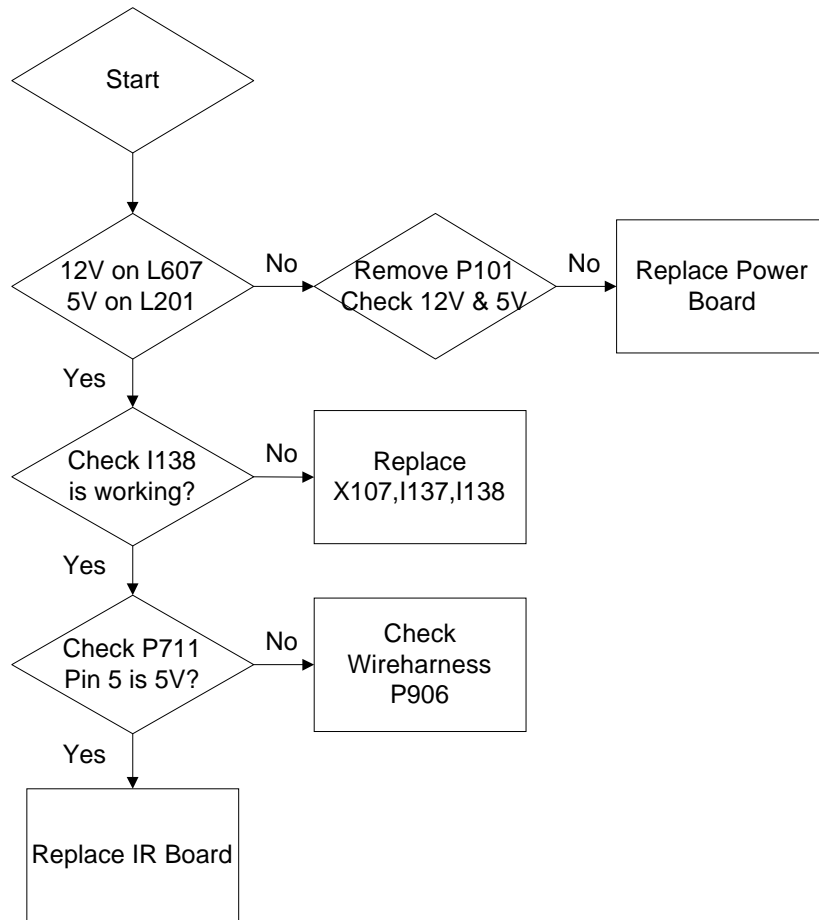


10.6 IRPCB BOTTOM VIEW

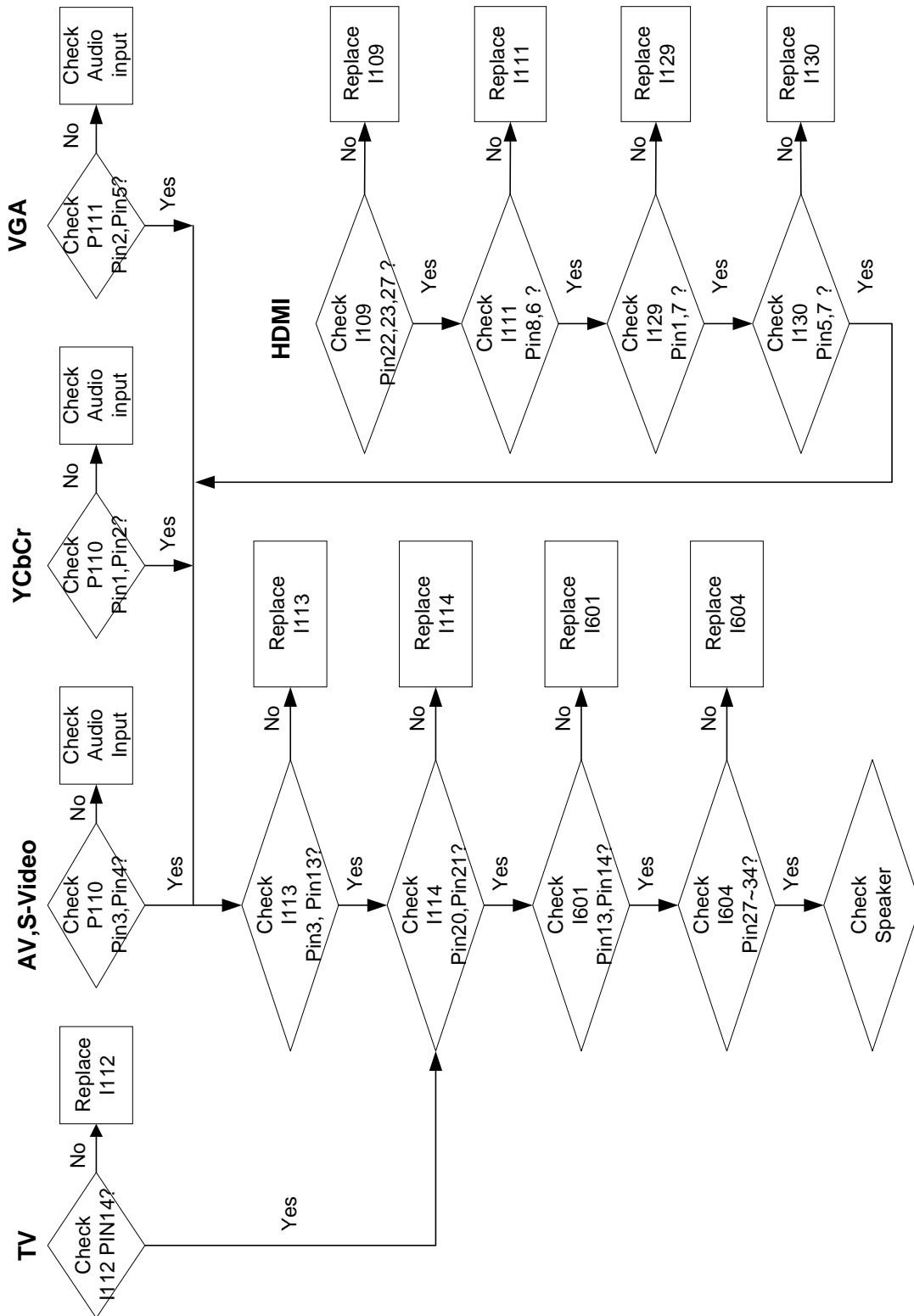


# 11. TROUBLE SHOOTING FLOW CHART

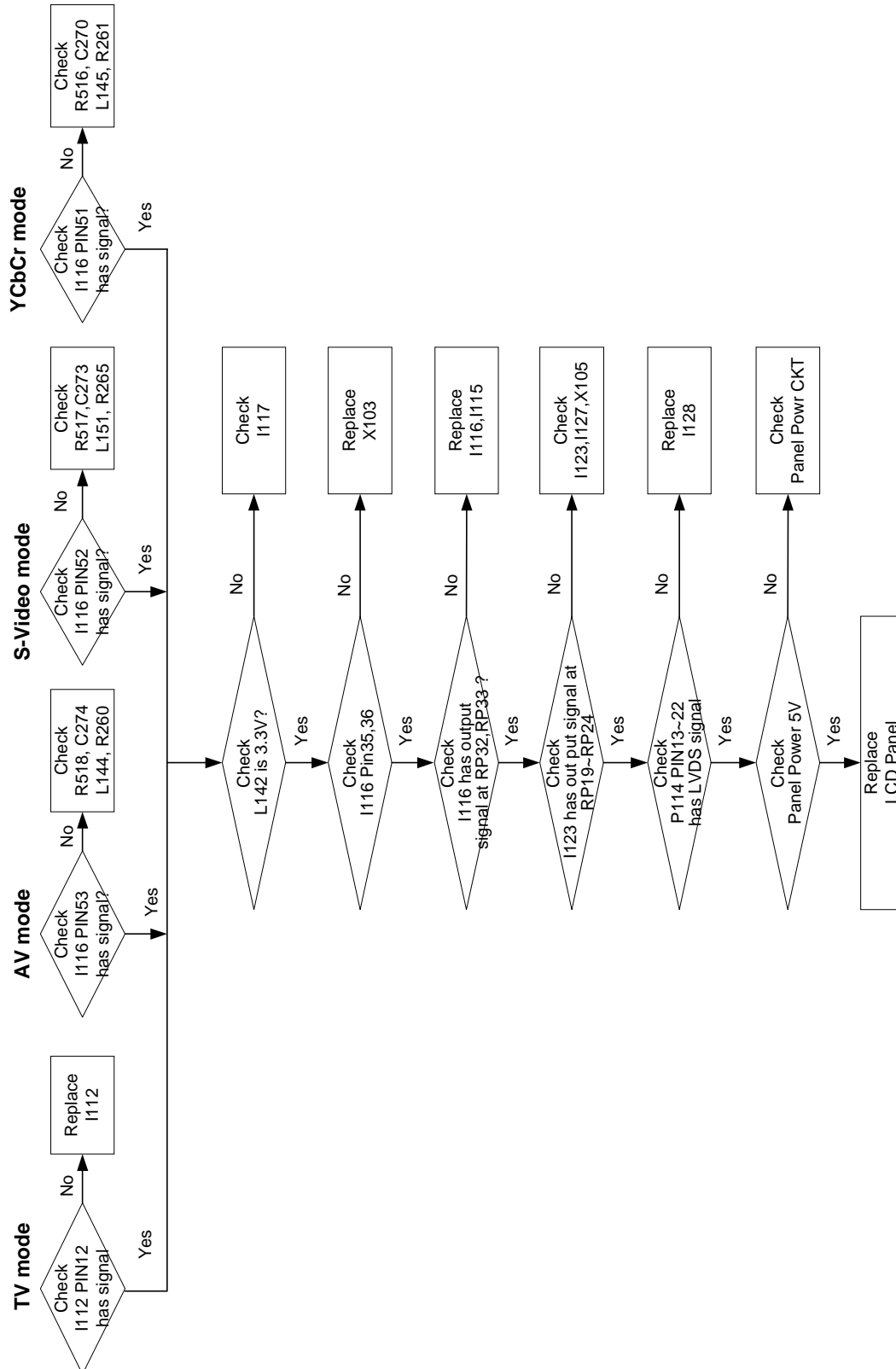
## 11.1. NO POWER

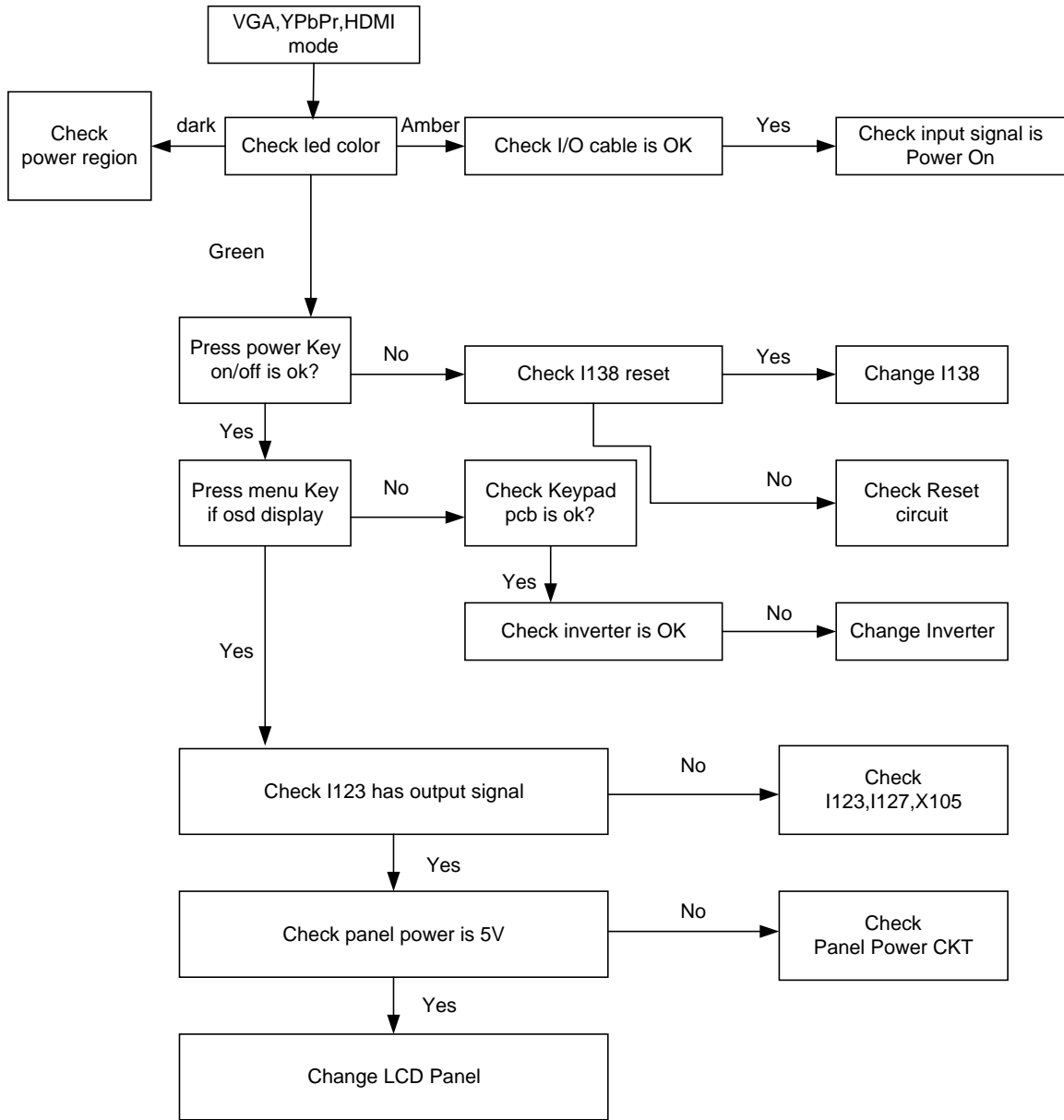


## 11.2. NO VOICE



### 11.3. NO DISPLAY





## 12. ADJUSTMENT

### 12.1. ADJUSTMENT CONDITIONS AND PRECAUTIONS

1. Approximately 30 minutes should be allowed for warm up before proceeding.
2. Adjustments should be undertaken only on those necessary elements since most of them have been carefully preset at the factory.
3. ESD protection is needed before adjustment.

### 12.2. MAIN ADJUSTMENTS

NO.	FUNCTION	DESIGNATION
1.	EEPROM Initial	Function Key
2.	White Balance	Function Key

### 12.3. ALIGNMENT PROCEDURES

#### Adjustment Conditions and Precautions:

- (A). Power supply voltage:  
AC 110/120V±10% 60 Hz±5%, AC 220/240V±10% 50 Hz±5%.
- (B). Warm up time:  
The display must be power ON for at least 30 minutes at full white pattern before starting alignments.  
This is especially critical in color temperature and white balance adjustments.
- (C). Signals: reference the front detail specifications and timing table.  
Video : reference the front detail specifications.

#### 1. EEPROM Initial:

- A. Timing : 1024x768@60Hz.
- B. Pattern : Cross hatch.
- C. Switch off the power and press the “▲” and “▼” key simultaneously, and switch on the power. At this time we can enter into the factory mode.
- D. Select the “INITIAL” item and press “” key to reset the EEPROM.

#### 2. White Balance Adjustment :

- A. Timing : 1024x768@60Hz.
- B. Pattern : 16 gray.
- C. Set CA110 color analyzer at the center of screen and along a perpendicular to the screen at 20cm from the display.
- D. Press menu key select the OSD page on INPUT SELECT and select MAIN:VGA.
- E. Press menu key change the OSD page to adjust page.
- F. Press “▼” key to select the “ AD BALANCE” item in the factory mode and press “” key, then the white balance will be auto dadjusted .
- G. Color temperature verification :  
Color temperature medium verify : press “▼” ,“▲” key to move cursor to COLOR TEMPERATURE at factory mode and press “left” ,“right” key set in mediun, and then check the color temperature is  
WARM     $x=0.313\pm 0.03$                        $y=0.329\pm 0.03$



MEDIUM  $x=0.283\pm 0.03$   $y=0.298\pm 0.03$   
COOL  $x=0.271\pm 0.03$   $y=0.278\pm 0.03$   
 $Y\geq 380 \text{ cd/m}^2$

- H. Press menu key select the OSD page on INPUT SELECT and select MAIN:YPbPr  
Input source : Chroma 2327  
Pattern : color bar. (pattern 37)
- I. Repeat the F and G step.
- J. Press menu key select the OSD page on INPUT SELECT and select MAIN:YCbCr  
Input source : Chroma 2327  
Pattern : color bar.(pattern 37)
- K. Repeat the F and G step.

### 13. ELECTRICAL PARTS LIST

When you place a parts order, be sure to indicate the following data on the order:

- Location No.
- Parts No.
- Description

LOC NO.	SOURCE	PART NO.	DESCRIPTION	SPECIFICATION	REMARK
<b>MAIN P.C.BOARD</b>					
C106		2335310812	CAP,Ele Low Esr 105°C	EC 1000u/16V	10*20 P=5.0
C107		2346410496	CAP,CHIP 85°C	CS 0603/Y5V/50V	0.1u Z
C109		2346410496	CAP,CHIP 85°C	CS 0603/Y5V/50V	0.1u Z
C110		2346410496	CAP,CHIP 85°C	CS 0603/Y5V/50V	0.1u Z
C111		2346410496	CAP,CHIP 85°C	CS 0603/Y5V/50V	0.1u Z
C112		2335210813	CAP,Ele Low Esr 105°C	EC 1000u/10V	10*13 P=5.0
C115		2335310812	CAP,Ele Low Esr 105°C	EC 1000u/16V	10*20 P=5.0
C116		2346410496	CAP,CHIP 85°C	CS 0603/Y5V/50V	0.1u Z
C118		2333347613	CAP,ELE 105°C	EC 47u/16V	5*11 P=2.5
C119		2333322791	CAP,ELE 105°C	EC 220u/16V	8*11 P=5.0
C120		2346410496	CAP,CHIP 85°C	CS 0603/Y5V/50V	0.1u Z
C121		2346147396	CAP,CHIP 125°C	CS 0603/X7R/50V	0.047u K
C122		2346147396	CAP,CHIP 125°C	CS 0603/X7R/50V	0.047u K
C123		2346147396	CAP,CHIP 125°C	CS 0603/X7R/50V	0.047u K
C124		2346147396	CAP,CHIP 125°C	CS 0603/X7R/50V	0.047u K
C125		2346147396	CAP,CHIP 125°C	CS 0603/X7R/50V	0.047u K
C126		2346110296	CAP,CHIP 125°C	CS 0603/X7R/50V	1000p K
C127		2346147396	CAP,CHIP 125°C	CS 0603/X7R/50V	0.047u K
C128		2346182296	CAP,CHIP 125°C	CS 0603/X7R/50V	8200p K
C129		2346182396	CAP,CHIP 125°C	CS 0603/X7R/50V	0.082u K
C131		2346410496	CAP,CHIP 85°C	CS 0603/Y5V/50V	0.1u Z
C132	RA	2346710596	CAP,CHIP 85°C	CS 0603/Y5V/16V	1.0u Z
C132	RB	2346610596	CAP,CHIP 85°C	CS 0603/Y5V/10V	1.0u Z
C133		2346122296	CAP,CHIP 125°C	CS 0603/X7R/50V	2200p K
C134		2346122296	CAP,CHIP 125°C	CS 0603/X7R/50V	2200p K
C135		2346747496	CAP,CHIP 85°C	CS 0603/Y5V/16V	0.47u Z
C136		2341110196	CAP,CHIP 125°C	CS 0603/COG/50V	100p J
C137		2341110196	CAP,CHIP 125°C	CS 0603/COG/50V	100p J
C140		2333347613	CAP,ELE 105°C	EC 47u/16V	5*11 P=2.5
C141		2346410496	CAP,CHIP 85°C	CS 0603/Y5V/50V	0.1u Z
C142		2333610613	CAP,ELE 105°C	EC 10u/50V	5*11 P=2.5
C143		2346410496	CAP,CHIP 85°C	CS 0603/Y5V/50V	0.1u Z
C144		2346410496	CAP,CHIP 85°C	CS 0603/Y5V/50V	0.1u Z
C145		2333347613	CAP,ELE 105°C	EC 47u/16V	5*11 P=2.5
C146		2346410496	CAP,CHIP 85°C	CS 0603/Y5V/50V	0.1u Z
C147		2346410496	CAP,CHIP 85°C	CS 0603/Y5V/50V	0.1u Z
C148		2346410496	CAP,CHIP 85°C	CS 0603/Y5V/50V	0.1u Z
C149		2346410496	CAP,CHIP 85°C	CS 0603/Y5V/50V	0.1u Z
C150		2333347613	CAP,ELE 105°C	EC 47u/16V	5*11 P=2.5
C151		2346410496	CAP,CHIP 85°C	CS 0603/Y5V/50V	0.1u Z
C152		2346410496	CAP,CHIP 85°C	CS 0603/Y5V/50V	0.1u Z
C153		2346410496	CAP,CHIP 85°C	CS 0603/Y5V/50V	0.1u Z
C154		2333347613	CAP,ELE 105°C	EC 47u/16V	5*11 P=2.5
C155		2346410496	CAP,CHIP 85°C	CS 0603/Y5V/50V	0.1u Z
C156		2346410496	CAP,CHIP 85°C	CS 0603/Y5V/50V	0.1u Z
C157		2333347613	CAP,ELE 105°C	EC 47u/16V	5*11 P=2.5
C158		2346410496	CAP,CHIP 85°C	CS 0603/Y5V/50V	0.1u Z
C159		2346410496	CAP,CHIP 85°C	CS 0603/Y5V/50V	0.1u Z
C160		2346410496	CAP,CHIP 85°C	CS 0603/Y5V/50V	0.1u Z
C161		2346410496	CAP,CHIP 85°C	CS 0603/Y5V/50V	0.1u Z
C162		2333310713	CAP,ELE 105°C	EC 100u/16V	6.3*11 P=2.5
C163		2346410496	CAP,CHIP 85°C	CS 0603/Y5V/50V	0.1u Z
C164		2346410496	CAP,CHIP 85°C	CS 0603/Y5V/50V	0.1u Z
C165		2333310713	CAP,ELE 105°C	EC 100u/16V	6.3*11 P=2.5
C166		2346410496	CAP,CHIP 85°C	CS 0603/Y5V/50V	0.1u Z

LOC NO.	SOURCE	PART NO.	DESCRIPTION	SPECIFICATION	REMARK
C167		2333347613	CAP,ELE 105°C	EC 47u/16V	5*11 P=2.5
C168		2333347613	CAP,ELE 105°C	EC 47u/16V	5*11 P=2.5
C169		2341147196	CAP,CHIP 125°C	CS 0603/COG/50V	470p J
C170		2341110196	CAP,CHIP 125°C	CS 0603/COG/50V	100p J
C171		2341147196	CAP,CHIP 125°C	CS 0603/COG/50V	470p J
C172		2341110196	CAP,CHIP 125°C	CS 0603/COG/50V	100p J
C186		2341122096	CAP,CHIP 125°C	CS 0603/COG/50V	22p J
C187		2341110196	CAP,CHIP 125°C	CS 0603/COG/50V	100p J
C188		2349901296	CAP,CHIP SPEC	V-PORT0603	22p
C189		2349901296	CAP,CHIP SPEC	V-PORT0603	22p
C190		2349901296	CAP,CHIP SPEC	V-PORT0603	22p
C191		2349901296	CAP,CHIP SPEC	V-PORT0603	22p
C192		2349901296	CAP,CHIP SPEC	V-PORT0603	22p
C193		2349901296	CAP,CHIP SPEC	V-PORT0603	22p
C194		2346410496	CAP,CHIP 85°C	CS 0603/Y5V/50V	0.1u Z
C195		2346410496	CAP,CHIP 85°C	CS 0603/Y5V/50V	0.1u Z
C196		2335215811	CAP,Ele Low Esr 105°C	EC 1500u/10V	10*16 P=5.0
C197		2333610613	CAP,ELE 105°C	EC 10u/50V	5*11 P=2.5
C198		2333610613	CAP,ELE 105°C	EC 10u/50V	5*11 P=2.5
C199		2335215811	CAP,Ele Low Esr 105°C	EC 1500u/10V	10*16 P=5.0
C200		2346410496	CAP,CHIP 85°C	CS 0603/Y5V/50V	0.1u Z
C201		2346410496	CAP,CHIP 85°C	CS 0603/Y5V/50V	0.1u Z
C202		2333610613	CAP,ELE 105°C	EC 10u/50V	5*11 P=2.5
C203		2346147396	CAP,CHIP 125°C	CS 0603/X7R/50V	0.047u K
C204		2333610613	CAP,ELE 105°C	EC 10u/50V	5*11 P=2.5
C205		2349901096	CAP,CHIP SPEC	AC0603470A 47P±10%	INP AQ
C206		2341110196	CAP,CHIP 125°C	CS 0603/COG/50V	100p J
C207		2333610613	CAP,ELE 105°C	EC 10u/50V	5*11 P=2.5
C208		2349901096	CAP,CHIP SPEC	AC0603470A 47P±10%	INP AQ
C209		2341110196	CAP,CHIP 125°C	CS 0603/COG/50V	100p J
C210		2349901096	CAP,CHIP SPEC	AC0603470A 47P±10%	INP AQ
C211		2349901096	CAP,CHIP SPEC	AC0603470A 47P±10%	INP AQ
C212		2333610613	CAP,ELE 105°C	EC 10u/50V	5*11 P=2.5
C214		2346410496	CAP,CHIP 85°C	CS 0603/Y5V/50V	0.1u Z
C215		2346410496	CAP,CHIP 85°C	CS 0603/Y5V/50V	0.1u Z
C216		2346410496	CAP,CHIP 85°C	CS 0603/Y5V/50V	0.1u Z
C217		2333610613	CAP,ELE 105°C	EC 10u/50V	5*11 P=2.5
C218		2333610613	CAP,ELE 105°C	EC 10u/50V	5*11 P=2.5
C219		2349901096	CAP,CHIP SPEC	AC0603470A 47P±10%	INP AQ
C220		2341110196	CAP,CHIP 125°C	CS 0603/COG/50V	100p J
C221		2341156096	CAP,CHIP 125°C	CS 0603/COG/50V	56p J
C222		2333610613	CAP,ELE 105°C	EC 10u/50V	5*11 P=2.5
C223		2341156096	CAP,CHIP 125°C	CS 0603/COG/50V	56p J
C224		2349901096	CAP,CHIP SPEC	AC0603470A 47P±10%	INP AQ
C225		2341110196	CAP,CHIP 125°C	CS 0603/COG/50V	100p J
C226		2333610613	CAP,ELE 105°C	EC 10u/50V	5*11 P=2.5
C227		2349901096	CAP,CHIP SPEC	AC0603470A 47P±10%	INP AQ
C228		2341110196	CAP,CHIP 125°C	CS 0603/COG/50V	100p J
C229		2333610613	CAP,ELE 105°C	EC 10u/50V	5*11 P=2.5
C230	RA	2346710596	CAP,CHIP 85°C	CS 0603/Y5V/16V	1.0u Z
C230	RB	2346610596	CAP,CHIP 85°C	CS 0603/Y5V/10V	1.0u Z
C231		2349901096	CAP,CHIP SPEC	AC0603470A 47P±10%	INP AQ
C232		2341110196	CAP,CHIP 125°C	CS 0603/COG/50V	100p J
C233	RA	2346710596	CAP,CHIP 85°C	CS 0603/Y5V/16V	1.0u Z
C233	RB	2346610596	CAP,CHIP 85°C	CS 0603/Y5V/10V	1.0u Z
C234		2346110296	CAP,CHIP 125°C	CS 0603/X7R/50V	1000p K
C235		2346110296	CAP,CHIP 125°C	CS 0603/X7R/50V	1000p K
C237		2333610613	CAP,ELE 105°C	EC 10u/50V	5*11 P=2.5
C238		2346410496	CAP,CHIP 85°C	CS 0603/Y5V/50V	0.1u Z
C239		2341133096	CAP,CHIP 125°C	CS 0603/COG/50V	33p J
C240		2341133096	CAP,CHIP 125°C	CS 0603/COG/50V	33p J
C241		2333610613	CAP,ELE 105°C	EC 10u/50V	5*11 P=2.5
C242		2346410496	CAP,CHIP 85°C	CS 0603/Y5V/50V	0.1u Z
C243		2333610613	CAP,ELE 105°C	EC 10u/50V	5*11 P=2.5
C246		2336310713	CAP,MINI ELE 105°C	EC 100u/16V	6.3*7 P=2.5

LOC NO.	SOURCE	PART NO.	DESCRIPTION	SPECIFICATION	REMARK
C247		2346410496	CAP,CHIP 85°C	CS 0603/Y5V/50V	0.1u Z
C248		2333610613	CAP,ELE 105°C	EC 10u/50V	5*11 P=2.5
C249		2341110196	CAP,CHIP 125°C	CS 0603/COG/50V	100p J
C250		2341110196	CAP,CHIP 125°C	CS 0603/COG/50V	100p J
C251		2341110196	CAP,CHIP 125°C	CS 0603/COG/50V	100p J
C252		2341110196	CAP,CHIP 125°C	CS 0603/COG/50V	100p J
C261		2346410496	CAP,CHIP 85°C	CS 0603/Y5V/50V	0.1u Z
C262		2336310713	CAP,MINI ELE 105°C	EC 100u/16V	6.3*7 P=2.5
C263		2346410496	CAP,CHIP 85°C	CS 0603/Y5V/50V	0.1u Z
C264		2346410496	CAP,CHIP 85°C	CS 0603/Y5V/50V	0.1u Z
C265		2346410496	CAP,CHIP 85°C	CS 0603/Y5V/50V	0.1u Z
C266		2346410496	CAP,CHIP 85°C	CS 0603/Y5V/50V	0.1u Z
C267		2346410496	CAP,CHIP 85°C	CS 0603/Y5V/50V	0.1u Z
C268		2346410496	CAP,CHIP 85°C	CS 0603/Y5V/50V	0.1u Z
C269		2346410496	CAP,CHIP 85°C	CS 0603/Y5V/50V	0.1u Z
C270		2346410496	CAP,CHIP 85°C	CS 0603/Y5V/50V	0.1u Z
C271		2346410496	CAP,CHIP 85°C	CS 0603/Y5V/50V	0.1u Z
C272		2335210813	CAP,Ele Low Esr 105°C	EC 1000u/10V	10*13 P=5.0
C273		2346410496	CAP,CHIP 85°C	CS 0603/Y5V/50V	0.1u Z
C274		2346410496	CAP,CHIP 85°C	CS 0603/Y5V/50V	0.1u Z
C275		2346410496	CAP,CHIP 85°C	CS 0603/Y5V/50V	0.1u Z
C276		2346410496	CAP,CHIP 85°C	CS 0603/Y5V/50V	0.1u Z
C278		2346410496	CAP,CHIP 85°C	CS 0603/Y5V/50V	0.1u Z
C279		2346410496	CAP,CHIP 85°C	CS 0603/Y5V/50V	0.1u Z
C280		2346410496	CAP,CHIP 85°C	CS 0603/Y5V/50V	0.1u Z
C281		2346410496	CAP,CHIP 85°C	CS 0603/Y5V/50V	0.1u Z
C282		2346410496	CAP,CHIP 85°C	CS 0603/Y5V/50V	0.1u Z
C284		2346139296	CAP,CHIP 125°C	CS 0603/X7R/50V	3900p K
C285		2341133196	CAP,CHIP 125°C	CS 0603/COG/50V	330p J
C286		2346139396	CAP,CHIP	CS 0603/X7R/50V	0.039u K
C287		2341133196	CAP,CHIP 125°C	CS 0603/COG/50V	330p J
C288		2333347613	CAP,ELE 105°C	EC 47u/16V	5*11 P=2.5
C289		2346410496	CAP,CHIP 85°C	CS 0603/Y5V/50V	0.1u Z
C290		2346410496	CAP,CHIP 85°C	CS 0603/Y5V/50V	0.1u Z
C291		2346410496	CAP,CHIP 85°C	CS 0603/Y5V/50V	0.1u Z
C292		2346410496	CAP,CHIP 85°C	CS 0603/Y5V/50V	0.1u Z
C293		2346410496	CAP,CHIP 85°C	CS 0603/Y5V/50V	0.1u Z
C294		2346410496	CAP,CHIP 85°C	CS 0603/Y5V/50V	0.1u Z
C295		2341118096	CAP,CHIP 125°C	CS 0603/COG/50V	18p J
C296		2341118096	CAP,CHIP 125°C	CS 0603/COG/50V	18p J
C297		2341133196	CAP,CHIP 125°C	CS 0603/COG/50V	330p J
C298		2333347613	CAP,ELE 105°C	EC 47u/16V	5*11 P=2.5
C299		2346410496	CAP,CHIP 85°C	CS 0603/Y5V/50V	0.1u Z
C300		2346410496	CAP,CHIP 85°C	CS 0603/Y5V/50V	0.1u Z
C301		2346410496	CAP,CHIP 85°C	CS 0603/Y5V/50V	0.1u Z
C302		2341133196	CAP,CHIP 125°C	CS 0603/COG/50V	330p J
C303		2336310713	CAP,MINI ELE 105°C	EC 100u/16V	6.3*7 P=2.5
C304		2346410496	CAP,CHIP 85°C	CS 0603/Y5V/50V	0.1u Z
C305		2346410496	CAP,CHIP 85°C	CS 0603/Y5V/50V	0.1u Z
C306		2346410496	CAP,CHIP 85°C	CS 0603/Y5V/50V	0.1u Z
C307		2346410496	CAP,CHIP 85°C	CS 0603/Y5V/50V	0.1u Z
C308		2346410496	CAP,CHIP 85°C	CS 0603/Y5V/50V	0.1u Z
C309		2336310713	CAP,MINI ELE 105°C	EC 100u/16V	6.3*7 P=2.5
C310		2346410496	CAP,CHIP 85°C	CS 0603/Y5V/50V	0.1u Z
C311		2346410496	CAP,CHIP 85°C	CS 0603/Y5V/50V	0.1u Z
C312		2346410496	CAP,CHIP 85°C	CS 0603/Y5V/50V	0.1u Z
C313		2346410496	CAP,CHIP 85°C	CS 0603/Y5V/50V	0.1u Z
C314		2341133196	CAP,CHIP 125°C	CS 0603/COG/50V	330p J
C315		2341133196	CAP,CHIP 125°C	CS 0603/COG/50V	330p J
C357		2349900996	CAP,CHIP SPEC	0603V-PORT 10P±10%	INPA
C358		2346410496	CAP,CHIP 85°C	CS 0603/Y5V/50V	0.1u Z
C359		2336310713	CAP,MINI ELE 105°C	EC 100u/16V	6.3*7 P=2.5
C360		2346410496	CAP,CHIP 85°C	CS 0603/Y5V/50V	0.1u Z
C361		2349900996	CAP,CHIP SPEC	0603V-PORT 10P±10%	INPA
C362		2349900996	CAP,CHIP SPEC	0603V-PORT 10P±10%	INPA

LOC NO.	SOURCE	PART NO.	DESCRIPTION	SPECIFICATION	REMARK
C363		2349900996	CAP,CHIP SPEC	0603V-PORT 10P±10%	I NPA
C364		2349901096	CAP,CHIP SPEC	AC0603470A 47P±10%	INP AQ
C365		2346410496	CAP,CHIP 85°C	CS 0603/Y5V/50V 0.1u	Z
C366		2349901096	CAP,CHIP SPEC	AC0603470A 47P±10%	INP AQ
C367		2349901096	CAP,CHIP SPEC	AC0603470A 47P±10%	INP AQ
C368		2349901096	CAP,CHIP SPEC	AC0603470A 47P±10%	INP AQ
C369		2349901096	CAP,CHIP SPEC	AC0603470A 47P±10%	INP AQ
C373		2349901096	CAP,CHIP SPEC	AC0603470A 47P±10%	INP AQ
C374		2341133196	CAP,CHIP 125°C	CS 0603/COG/50V 330p	J
C375		2341133196	CAP,CHIP 125°C	CS 0603/COG/50V 330p	J
C376		2341133196	CAP,CHIP 125°C	CS 0603/COG/50V 330p	J
C377		2341133196	CAP,CHIP 125°C	CS 0603/COG/50V 330p	J
C378		2349901096	CAP,CHIP SPEC	AC0603470A 47P±10%	INP AQ
C379		2349901096	CAP,CHIP SPEC	AC0603470A 47P±10%	INP AQ
C380		2349901096	CAP,CHIP SPEC	AC0603470A 47P±10%	INP AQ
C381		2349901096	CAP,CHIP SPEC	AC0603470A 47P±10%	INP AQ
C382		2341133196	CAP,CHIP 125°C	CS 0603/COG/50V 330p	J
C383		2341133196	CAP,CHIP 125°C	CS 0603/COG/50V 330p	J
C384		2349901096	CAP,CHIP SPEC	AC0603470A 47P±10%	INP AQ
C385		2349901096	CAP,CHIP SPEC	AC0603470A 47P±10%	INP AQ
C408		2341127096	CAP,CHIP 125°C	CS 0603/COG/50V 27p	J
C409		2341127096	CAP,CHIP 125°C	CS 0603/COG/50V 27p	J
C411		2346410496	CAP,CHIP 85°C	CS 0603/Y5V/50V 0.1u	Z
C412		2346410496	CAP,CHIP 85°C	CS 0603/Y5V/50V 0.1u	Z
C413		2346410496	CAP,CHIP 85°C	CS 0603/Y5V/50V 0.1u	Z
C414		2346410496	CAP,CHIP 85°C	CS 0603/Y5V/50V 0.1u	Z
C415		2346410496	CAP,CHIP 85°C	CS 0603/Y5V/50V 0.1u	Z
C416		2346410496	CAP,CHIP 85°C	CS 0603/Y5V/50V 0.1u	Z
C417		2346410496	CAP,CHIP 85°C	CS 0603/Y5V/50V 0.1u	Z
C418		2346410496	CAP,CHIP 85°C	CS 0603/Y5V/50V 0.1u	Z
C419		2346410496	CAP,CHIP 85°C	CS 0603/Y5V/50V 0.1u	Z
C420		2346410496	CAP,CHIP 85°C	CS 0603/Y5V/50V 0.1u	Z
C421		2346410496	CAP,CHIP 85°C	CS 0603/Y5V/50V 0.1u	Z
C422		2346410496	CAP,CHIP 85°C	CS 0603/Y5V/50V 0.1u	Z
C423		2346410496	CAP,CHIP 85°C	CS 0603/Y5V/50V 0.1u	Z
C424		2346410496	CAP,CHIP 85°C	CS 0603/Y5V/50V 0.1u	Z
C425		2346410496	CAP,CHIP 85°C	CS 0603/Y5V/50V 0.1u	Z
C426		2346410496	CAP,CHIP 85°C	CS 0603/Y5V/50V 0.1u	Z
C427		2346410496	CAP,CHIP 85°C	CS 0603/Y5V/50V 0.1u	Z
C428		2346410496	CAP,CHIP 85°C	CS 0603/Y5V/50V 0.1u	Z
C429		2346410496	CAP,CHIP 85°C	CS 0603/Y5V/50V 0.1u	Z
C430		2346410496	CAP,CHIP 85°C	CS 0603/Y5V/50V 0.1u	Z
C431		2336347791	CAP,MINI ELE 105°C	EC 470u/16V 8*9	P=5.0
C432		2336310713	CAP,MINI ELE 105°C	EC 100u/16V 6.3*7	P=2.5
C433		2346410496	CAP,CHIP 85°C	CS 0603/Y5V/50V 0.1u	Z
C434		2336310713	CAP,MINI ELE 105°C	EC 100u/16V 6.3*7	P=2.5
C435		2346410496	CAP,CHIP 85°C	CS 0603/Y5V/50V 0.1u	Z
C436		2336310713	CAP,MINI ELE 105°C	EC 100u/16V 6.3*7	P=2.5
C437		2346410496	CAP,CHIP 85°C	CS 0603/Y5V/50V 0.1u	Z
C438		2346410496	CAP,CHIP 85°C	CS 0603/Y5V/50V 0.1u	Z
C439		2346410496	CAP,CHIP 85°C	CS 0603/Y5V/50V 0.1u	Z
C440		2346410496	CAP,CHIP 85°C	CS 0603/Y5V/50V 0.1u	Z
C441		2346410496	CAP,CHIP 85°C	CS 0603/Y5V/50V 0.1u	Z
C442		2346410496	CAP,CHIP 85°C	CS 0603/Y5V/50V 0.1u	Z
C443		2346410496	CAP,CHIP 85°C	CS 0603/Y5V/50V 0.1u	Z
C444		2346410496	CAP,CHIP 85°C	CS 0603/Y5V/50V 0.1u	Z
C445		2346410496	CAP,CHIP 85°C	CS 0603/Y5V/50V 0.1u	Z
C446		2346410496	CAP,CHIP 85°C	CS 0603/Y5V/50V 0.1u	Z
C447		2336347791	CAP,MINI ELE 105°C	EC 470u/16V 8*9	P=5.0
C448		2346410496	CAP,CHIP 85°C	CS 0603/Y5V/50V 0.1u	Z
C449		2346410496	CAP,CHIP 85°C	CS 0603/Y5V/50V 0.1u	Z
C450		2346410496	CAP,CHIP 85°C	CS 0603/Y5V/50V 0.1u	Z
C451		2346410496	CAP,CHIP 85°C	CS 0603/Y5V/50V 0.1u	Z
C452		2346410496	CAP,CHIP 85°C	CS 0603/Y5V/50V 0.1u	Z
C453		2346410496	CAP,CHIP 85°C	CS 0603/Y5V/50V 0.1u	Z

LOC NO.	SOURCE	PART NO.	DESCRIPTION	SPECIFICATION	REMARK
C454		2346410496	CAP,CHIP 85°C	CS 0603/Y5V/50V	0.1u Z
C455		2346410496	CAP,CHIP 85°C	CS 0603/Y5V/50V	0.1u Z
C456		2346410496	CAP,CHIP 85°C	CS 0603/Y5V/50V	0.1u Z
C457		2346410496	CAP,CHIP 85°C	CS 0603/Y5V/50V	0.1u Z
C458		2346410496	CAP,CHIP 85°C	CS 0603/Y5V/50V	0.1u Z
C459		2346410496	CAP,CHIP 85°C	CS 0603/Y5V/50V	0.1u Z
C460		2346410496	CAP,CHIP 85°C	CS 0603/Y5V/50V	0.1u Z
C461		2346410496	CAP,CHIP 85°C	CS 0603/Y5V/50V	0.1u Z
C462		2346410496	CAP,CHIP 85°C	CS 0603/Y5V/50V	0.1u Z
C463		2346410496	CAP,CHIP 85°C	CS 0603/Y5V/50V	0.1u Z
C464		2346410496	CAP,CHIP 85°C	CS 0603/Y5V/50V	0.1u Z
C465		2346410496	CAP,CHIP 85°C	CS 0603/Y5V/50V	0.1u Z
C466		2346410496	CAP,CHIP 85°C	CS 0603/Y5V/50V	0.1u Z
C467		2346410496	CAP,CHIP 85°C	CS 0603/Y5V/50V	0.1u Z
C468		2346410496	CAP,CHIP 85°C	CS 0603/Y5V/50V	0.1u Z
C469		2346410496	CAP,CHIP 85°C	CS 0603/Y5V/50V	0.1u Z
C470		2346410496	CAP,CHIP 85°C	CS 0603/Y5V/50V	0.1u Z
C471		2346410496	CAP,CHIP 85°C	CS 0603/Y5V/50V	0.1u Z
C472		2336310713	CAP,MINI ELE 105°C	EC 100u/16V	6.3*7 P=2.5
C473		2346410496	CAP,CHIP 85°C	CS 0603/Y5V/50V	0.1u Z
C474		2346410496	CAP,CHIP 85°C	CS 0603/Y5V/50V	0.1u Z
C475		2346410496	CAP,CHIP 85°C	CS 0603/Y5V/50V	0.1u Z
C476		2346410496	CAP,CHIP 85°C	CS 0603/Y5V/50V	0.1u Z
C477		2346410496	CAP,CHIP 85°C	CS 0603/Y5V/50V	0.1u Z
C478		2333347613	CAP,ELE 105°C	EC 47u/16V	5*11 P=2.5
C479		2346410496	CAP,CHIP 85°C	CS 0603/Y5V/50V	0.1u Z
C480		2333347613	CAP,ELE 105°C	EC 47u/16V	5*11 P=2.5
C481		2346410496	CAP,CHIP 85°C	CS 0603/Y5V/50V	0.1u Z
C518		2333610613	CAP,ELE 105°C	EC 10u/50V	5*11 P=2.5
C519	RA	2346710596	CAP,CHIP 85°C	CS 0603/Y5V/16V	1.0u Z
C519	RB	2346610596	CAP,CHIP 85°C	CS 0603/Y5V/10V	1.0u Z
C520		2346410496	CAP,CHIP 85°C	CS 0603/Y5V/50V	0.1u Z
C523		2346747496	CAP,CHIP 85°C	CS 0603/Y5V/16V	0.47u Z
C524		2333347613	CAP,ELE 105°C	EC 47u/16V	5*11 P=2.5
C525	RA	2346710596	CAP,CHIP 85°C	CS 0603/Y5V/16V	1.0u Z
C525	RB	2346610596	CAP,CHIP 85°C	CS 0603/Y5V/10V	1.0u Z
C526		2333347613	CAP,ELE 105°C	EC 47u/16V	5*11 P=2.5
C543		2346410496	CAP,CHIP 85°C	CS 0603/Y5V/50V	0.1u Z
C544		2333347613	CAP,ELE 105°C	EC 47u/16V	5*11 P=2.5
C545		2346410496	CAP,CHIP 85°C	CS 0603/Y5V/50V	0.1u Z
C548		2349901096	CAP,CHIP SPEC	AC0603470A 47P±10%	INP AQ
C549		2349901096	CAP,CHIP SPEC	AC0603470A 47P±10%	INP AQ
C550		2349901096	CAP,CHIP SPEC	AC0603470A 47P±10%	INP AQ
C551		2349901096	CAP,CHIP SPEC	AC0603470A 47P±10%	INP AQ
C552		2349901096	CAP,CHIP SPEC	AC0603470A 47P±10%	INP AQ
C553		2349901096	CAP,CHIP SPEC	AC0603470A 47P±10%	INP AQ
C554		2346410496	CAP,CHIP 85°C	CS 0603/Y5V/50V	0.1u Z
C555		2349901096	CAP,CHIP SPEC	AC0603470A 47P±10%	INP AQ
C556		2346110296	CAP,CHIP 125°C	CS 0603/X7R/50V	1000p K
C557		2346110296	CAP,CHIP 125°C	CS 0603/X7R/50V	1000p K
C558		2346410496	CAP,CHIP 85°C	CS 0603/Y5V/50V	0.1u Z
C559		2346410496	CAP,CHIP 85°C	CS 0603/Y5V/50V	0.1u Z
C560		2346410496	CAP,CHIP 85°C	CS 0603/Y5V/50V	0.1u Z
C561		2333347613	CAP,ELE 105°C	EC 47u/16V	5*11 P=2.5
C562		2336310713	CAP,MINI ELE 105°C	EC 100u/16V	6.3*7 P=2.5
C563		2333610613	CAP,ELE 105°C	EC 10u/50V	5*11 P=2.5
C564		2341122096	CAP,CHIP 125°C	CS 0603/COG/50V	22p J
C565		2341122096	CAP,CHIP 125°C	CS 0603/COG/50V	22p J
C566		2346410496	CAP,CHIP 85°C	CS 0603/Y5V/50V	0.1u Z
C567		2341110196	CAP,CHIP 125°C	CS 0603/COG/50V	100p J
C569		2333610613	CAP,ELE 105°C	EC 10u/50V	5*11 P=2.5
C572		2341133196	CAP,CHIP 125°C	CS 0603/COG/50V	330p J
C573		2341133196	CAP,CHIP 125°C	CS 0603/COG/50V	330p J
C574		2341133196	CAP,CHIP 125°C	CS 0603/COG/50V	330p J
C575		2346410496	CAP,CHIP 85°C	CS 0603/Y5V/50V	0.1u Z



LOC NO.	SOURCE	PART NO.	DESCRIPTION	SPECIFICATION	REMARK
C576		2346410496	CAP,CHIP 85°C	CS 0603/Y5V/50V	0.1u Z
C577		2346410496	CAP,CHIP 85°C	CS 0603/Y5V/50V	0.1u Z
C578		2346410496	CAP,CHIP 85°C	CS 0603/Y5V/50V	0.1u Z
C579		2346410496	CAP,CHIP 85°C	CS 0603/Y5V/50V	0.1u Z
C580		2346410496	CAP,CHIP 85°C	CS 0603/Y5V/50V	0.1u Z
C581		2346410496	CAP,CHIP 85°C	CS 0603/Y5V/50V	0.1u Z
C583		2346410496	CAP,CHIP 85°C	CS 0603/Y5V/50V	0.1u Z
C584		2346410496	CAP,CHIP 85°C	CS 0603/Y5V/50V	0.1u Z
C601		2333610613	CAP,ELE 105°C	EC 10u/50V	5*11 P=2.5
C602		2333610613	CAP,ELE 105°C	EC 10u/50V	5*11 P=2.5
C603		2333610613	CAP,ELE 105°C	EC 10u/50V	5*11 P=2.5
C604		2346410496	CAP,CHIP 85°C	CS 0603/Y5V/50V	0.1u Z
C605		2333610613	CAP,ELE 105°C	EC 10u/50V	5*11 P=2.5
C606		2333610613	CAP,ELE 105°C	EC 10u/50V	5*11 P=2.5
C607		2346410496	CAP,CHIP 85°C	CS 0603/Y5V/50V	0.1u Z
C608		2346410496	CAP,CHIP 85°C	CS 0603/Y5V/50V	0.1u Z
C609		2333610613	CAP,ELE 105°C	EC 10u/50V	5*11 P=2.5
C610		2333610613	CAP,ELE 105°C	EC 10u/50V	5*11 P=2.5
C611		2346110396	CAP,CHIP 125°C	CS 0603/X7R/50V	0.01u K
C612		2346115396	CAP,CHIP 125°C	CS 0603/X7R/50V	0.015u K
C615		2333610613	CAP,ELE 105°C	EC 10u/50V	5*11 P=2.5
C616		2346747496	CAP,CHIP 85°C	CS 0603/Y5V/16V	0.47u Z
C617		2333610613	CAP,ELE 105°C	EC 10u/50V	5*11 P=2.5
C619		2346422496	CAP,CHIP 85°C	CS 0603/Y5V/50V	0.22u Z
C620		2333610613	CAP,ELE 105°C	EC 10u/50V	5*11 P=2.5
C621		2333610613	CAP,ELE 105°C	EC 10u/50V	5*11 P=2.5
C622		2346410496	CAP,CHIP 85°C	CS 0603/Y5V/50V	0.1u Z
C623		2346147296	CAP,CHIP 125°C	CS 0603/X7R/50V	4700p K
C624		2346410496	CAP,CHIP 85°C	CS 0603/Y5V/50V	0.1u Z
C625		2333610613	CAP,ELE 105°C	EC 10u/50V	5*11 P=2.5
C626		2346410496	CAP,CHIP 85°C	CS 0603/Y5V/50V	0.1u Z
C627		2346410496	CAP,CHIP 85°C	CS 0603/Y5V/50V	0.1u Z
C628		2346410496	CAP,CHIP 85°C	CS 0603/Y5V/50V	0.1u Z
C629		2346410496	CAP,CHIP 85°C	CS 0603/Y5V/50V	0.1u Z
C630		2346410496	CAP,CHIP 85°C	CS 0603/Y5V/50V	0.1u Z
C631		2333610613	CAP,ELE 105°C	EC 10u/50V	5*11 P=2.5
C632		2346410496	CAP,CHIP 85°C	CS 0603/Y5V/50V	0.1u Z
C633		2346410496	CAP,CHIP 85°C	CS 0603/Y5V/50V	0.1u Z
C634		2346410496	CAP,CHIP 85°C	CS 0603/Y5V/50V	0.1u Z
C635		2346410496	CAP,CHIP 85°C	CS 0603/Y5V/50V	0.1u Z
C636		2346410496	CAP,CHIP 85°C	CS 0603/Y5V/50V	0.1u Z
C637		2346410496	CAP,CHIP 85°C	CS 0603/Y5V/50V	0.1u Z
C638		2336310713	CAP,MINI ELE 105°C	EC 100u/16V	6.3*7 P=2.5
C639		2346410496	CAP,CHIP 85°C	CS 0603/Y5V/50V	0.1u Z
C640		2341118096	CAP,CHIP 125°C	CS 0603/COG/50V	18p J
C641		2341115096	CAP,CHIP 125°C	CS 0603/COG/50V	15p J
C642		2346410496	CAP,CHIP 85°C	CS 0603/Y5V/50V	0.1u Z
C643		2341122096	CAP,CHIP 125°C	CS 0603/COG/50V	22p J
C644		2341118096	CAP,CHIP 125°C	CS 0603/COG/50V	18p J
C645		2333347791	CAP,ELE 105°C	EC 470u/16V	10*12.5 P=5.0
C646		2346410496	CAP,CHIP 85°C	CS 0603/Y5V/50V	0.1u Z
C649	RA	2301310591	CAP,MTL	MEB 1.0u/63V	P=5.0 J
C649	RB	2301510591	CAP,MTL	CF93M 1.000UF 100V	J
C650		2333633613	CAP ELE 105°C	EC 33u/50V	6.3*11 P=2.5
C652		2333633613	CAP ELE 105°C	EC 33u/50V	6.3*11 P=2.5
C653		2346410496	CAP,CHIP 85°C	CS 0603/Y5V/50V	0.1u Z
C654		2346410496	CAP,CHIP 85°C	CS 0603/Y5V/50V	0.1u Z
C655	RA	2301310591	CAP,MTL	MEB 1.0u/63V	P=5.0 J
C655	RB	2301510591	CAP,MTL	CF93M 1.000UF 100V	J
C657		2346410496	CAP,CHIP 85°C	CS 0603/Y5V/50V	0.1u Z
C658		2346410496	CAP,CHIP 85°C	CS 0603/Y5V/50V	0.1u Z
C659		2333347791	CAP,ELE 105°C	EC 470u/16V	10*12.5 P=5.0
C660		2346410496	CAP,CHIP 85°C	CS 0603/Y5V/50V	0.1u Z
C662	RA	2301310591	CAP,MTL	MEB 1.0u/63V	P=5.0 J
C662	RB	2301510591	CAP,MTL	CF93M 1.000UF 100V	J

LOC NO.	SOURCE	PART NO.	DESCRIPTION	SPECIFICATION	REMARK
C663		2333633613	CAP,ELE 105°C	EC 33u/50V	6.3*11 P=2.5
C665		2346410496	CAP,CHIP 85°C	CS 0603/Y5V/50V	0.1u Z
C666		2333633613	CAP,ELE 105°C	EC 33u/50V	6.3*11 P=2.5
C667		2346410496	CAP,CHIP 85°C	CS 0603/Y5V/50V	0.1u Z
C668	RA	2301310591	CAP,MTL	MEB 1.0u/63V	P=5.0 J
C668	RB	2301510591	CAP,MTL	CF93M 1.000UF 100V	J
C671		2341122096	CAP,CHIP 125°C	CS 0603/COG/50V	22p J
C672		2341118096	CAP,CHIP 125°C	CS 0603/COG/50V	18p J
C673		2346410496	CAP,CHIP 85°C	CS 0603/Y5V/50V	0.1u Z
C674		2341118096	CAP,CHIP 125°C	CS 0603/COG/50V	18p J
C675		2341115096	CAP,CHIP 125°C	CS 0603/COG/50V	15p J
C676		2336310713	CAP,MINI ELE 105°C	EC 100u/16V	6.3*7 P=2.5
C677		2346410496	CAP,CHIP 85°C	CS 0603/Y5V/50V	0.1u Z
C680		2335310812	CAP,Ele Low Esr 105°C	EC 1000u/16V	10*20 P=5.0
C681		2346410496	CAP,CHIP 85°C	CS 0603/Y5V/50V	0.1u Z
C682		2346110396	CAP,CHIP 125°C	CS 0603/X7R/50V	0.01u K
C683		2346110396	CAP,CHIP 125°C	CS 0603/X7R/50V	0.01u K
C684		2346110396	CAP,CHIP 125°C	CS 0603/X7R/50V	0.01u K
C685		2346110396	CAP,CHIP 125°C	CS 0603/X7R/50V	0.01u K
D106	RA	2364601396	DIODE,SWITCH SMD	1N4148W-7 SOD123	DIODES
D106	RB	2364600496	DIODE,SWITCH SMD	MM4148 SOD-80	GRANDE
D106	RC	2363600696	DIODE,SWITCH	RLS4148-T11 SOD-80	ROHM
D106	RD	2364200896	DIODE,RECT(SMD)	BAS32L SOD-80	PHILIPS
D107	RA	2364601396	DIODE,SWITCH SMD	1N4148W-7 SOD123	DIODES
D107	RB	2364600496	DIODE,SWITCH SMD	MM4148 SOD-80	GRANDE
D107	RC	2363600696	DIODE,SWITCH	RLS4148-T11 SOD-80	ROHM
D107	RD	2364200896	DIODE,RECT(SMD)	BAS32L SOD-80	PHILIPS
D108	RA	2364601396	DIODE,SWITCH SMD	1N4148W-7 SOD123	DIODES
D108	RB	2364600496	DIODE,SWITCH SMD	MM4148 SOD-80	GRANDE
D108	RC	2363600696	DIODE,SWITCH	RLS4148-T11 SOD-80	ROHM
D108	RD	2364200896	DIODE,RECT(SMD)	BAS32L SOD-80	PHILIPS
D109	RA	2364601396	DIODE,SWITCH SMD	1N4148W-7 SOD123	DIODES
D109	RB	2364600496	DIODE,SWITCH SMD	MM4148 SOD-80	GRANDE
D109	RC	2363600696	DIODE,SWITCH	RLS4148-T11 SOD-80	ROHM
D109	RD	2364200896	DIODE,RECT(SMD)	BAS32L SOD-80	PHILIPS
I104	RA	2365807496	IC,LINEAR(SMD)	AIC1084-33CM TO-263	AIC
I104	RB	2365810796	IC,LINEAR(SMD)	AP1084K33A(3.3V) TO-263	ATC
I104	RC	2365809196	IC,LINEAR(SMD)	CM1084SCN263 CHAMPION	SO263
I105	RA	2365412600	IC,DIGITAL	24LC21A/P	MICROCHIP
I105	RB	2365424400	IC,DIGITAL (EOL)	ST24LC21BB6 PSDIP-8	ST
I106		2365104000	IC MEMORY(EEPROM)	24LC22A PDIP-8	MICROCHIP
I107	RA	2365807496	IC,LINEAR(SMD)	AIC1084-33CM TO-263	AIC
I107	RB	2365810796	IC,LINEAR(SMD)	AP1084K33A(3.3V) TO-263	ATC
I107	RC	2365809196	IC,LINEAR(SMD)	CM1084SCN263 CHAMPION	SO263
I108	RA	2365813696	IC,LINEAR(SMD)	AP1117E18A SOT-223	ANACHIP
I108	RB	2365335086	LINEAR IC	AIC1117A-18CY SOT-223	AIC
I109		2365425146	DIGITAL IC	AD9880KSTZ-150 LQFP-100	ADI
I110	RA	2365408400	IC,DIGITAL	24LC04B/P	MICROCHI
I110	RB	2365416900	IC,DIGITAL	AT24C04-10PC-2.7 ATMEL	
I111		2365425156	DIGITAL IC	MS6313AS SO-8	MOSA
I112	RA	2416901600	UV TUNER (EOL)	FQ1236/F H-3(US)	PHILIPS 1
I112	RB	2416901700	UV TUNER	TAPE-H701F	LG
I112	RC	2416902100	UV TUNER	FQ1236F H-5(MK5) NTSC	PHILIPS
I113		2365814796	IC,LINEAR(SMD)	HEF4052BT SO-16	PHILIPS
I114		2365930196	IC,DIGITAL SMD	MSP3425G PMQFP64	Micronas
I115	RA	2365923896	IC,DIGITAL SMD	M12L1616A-7	ESMT
I115	RB	2365925596	IC,DIGITAL SMD	GLT5160L16 G-LINK	TSOP
I116		2365933096	IC,DIGITAL SMD	t0956 LQFP-128	Turmpion
I117	RA	2365808196	IC,LINEAR(SMD)	AP1117E-3.3V SOT-223	ATC
I117	RB	2365808396	IC,LINEAR(SMD)	AIC1117-33CY SOT-223	AIC
I117	RC	2365809496	IC,LINEAR(SMD)	CM1117SCM-3.3V SOT223	CHAMPION
I118	RA	2365808596	IC,LINEAR(SMD)	CM1117KCM-2.5V SOT223	CHAMPION
I118	RB	2365811196	IC,LINEAR(SMD)	AP1117E25A(2.5V) SOT223	ATC
I123		2365932896	IC,DIGITAL SMD	t-0932 BGA-336L	Trumpion
I124	RA	2365103696	IC MEMORY (SDRAM)	K4S643232H-TC60 TSOP86	SAMSUNG



LOC NO.	SOURCE	PART NO.	DESCRIPTION	SPECIFICATION	REMARK
I124	RB	2365105096	MEMORY IC (SDRAM)	EM638325TS-6 TSOP-86	ETRON
I125	RA	2365103696	IC MEMORY (SDRAM)	K4S643232H-TC60 TSOP86	SAMSUNG
I125	RB	2365105096	MEMORY IC (SDRAM)	EM638325TS-6 TSOP-86	ETRON
I126	RA	2365103696	IC MEMORY (SDRAM)	K4S643232H-TC60 TSOP86	SAMSUNG
I126	RB	2365105096	MEMORY IC (SDRAM)	EM638325TS-6 TSOP-86	ETRON
I127	RA	2365814596	IC,LINEAR(SMD)	AIC1084-25CM TO-263	AIC
I127	RB	2365814696	IC,LINEAR(SMD)	CM1084KCN263 TO-263	CHAMPION
I128	RA	2365932996	IC,DIGITAL SMD	t0383JS TSSOP-56	Turmpion
I128	RB	2365917896	IC,DIGITAL SMD	DS90C383AMTDX TSSOP-56	NS
I128	RC	2365917996	IC,DIGITAL SMD	SN75LVDS83DGG	TI
I128	RD	2365934596	IC,DIGITAL SMD	THC63LVDM83R TSSOP-56	THINE
I129		2365335206	LINEAR IC	MS6308 SOP-8	MOSA
I130		2365812796	IC,LINEAR(SMD)	TPA6110A2 DGN-8	TI
I131		2365812796	IC,LINEAR(SMD)	TPA6110A2 DGN-8	TI
I137	RA	2365915896	IC,DIGITAL SMD	24LC16B/SN SO-8	MICROCHIP
I137	RB	2365100996	IC,MEMORY	AT24C16AN-10SI-2.7 SO-8	ATMEL
I137	RC	2365103096	IC,MEMORY	HT24LC16 SO-8	HOLTEK
I138		2365103596	IC MEMORY	STK6012BP22-5V PLCC-44	Syntek
I139		2365813096	IC,LINEAR(SMD)	L78M08CDT TO-252	ST
I601		2365813996	IC,LINEAR(SMD)	AP8210Q LQFP-64	ASP
I602	RA	2365808196	IC,LINEAR(SMD)	AP1117E-3.3V SOT-223	ATC
I602	RB	2365808396	IC,LINEAR(SMD)	AIC1117-33CY SOT-223	AIC
I602	RC	2365809496	IC,LINEAR(SMD)	CM1117SCM-3.3V SOT223	CHAMPION
I603	RA	2360700796	FET P&N-CH	FW332-TL-E SOP-8	SANYO
I603	RB	2360700896	FET P&N-CH	SI4532DY SO-8	FAIRCHILD
I604		2365933196	IC,DIGITAL SMD	YDA135 LQFP-148	YAMAHA
I605	RA	2360700796	FET P&N-CH	FW332-TL-E SOP-8	SANYO
I605	RB	2360700896	FET P&N-CH	SI4532DY SO-8	FAIRCHILD
I606	RA	2360700796	FET P&N-CH	FW332-TL-E SOP-8	SANYO
I606	RB	2360700896	FET P&N-CH	SI4532DY SO-8	FAIRCHILD
I607	RA	2360700796	FET P&N-CH	FW332-TL-E SOP-8	SANYO
I607	RB	2360700896	FET P&N-CH	SI4532DY SO-8	FAIRCHILD
L106		2379103391	FERRITE CORE	3.5*6*0.8x2 100MHZ=100ohm Min	
L109		2379103391	FERRITE CORE	3.5*6*0.8x2 100MHZ=100ohm Min	
L110		2379380096	BEAD,HI-IMPEDANCE	Z=80ohm(100MHZ~) 0603 200mA	
L111		2379380096	BEAD,HI-IMPEDANCE	Z=80ohm(100MHZ~) 0603 200mA	
L112		2379380096	BEAD,HI-IMPEDANCE	Z=80ohm(100MHZ~) 0603 200mA	
L113		2379380096	BEAD,HI-IMPEDANCE	Z=80ohm(100MHZ~) 0603 200mA	
L114		2379380096	BEAD,HI-IMPEDANCE	Z=80ohm(100MHZ~) 0603 200mA	
L115		2379380096	BEAD,HI-IMPEDANCE	Z=80ohm(100MHZ~) 0603 200mA	
L117		2253200096	RES,CHIP 1/10W	RC 0603 1/10W 0 ohm	J
L118		2253200096	RES,CHIP 1/10W	RC 0603 1/10W 0 ohm	J
L119		2253200096	RES,CHIP 1/10W	RC 0603 1/10W 0 ohm	J
L121		2379330006	BEAD,HI-IMPEDANCE	Z=30ohm(200MHZ~) 0603 300mA	
L122		2379330006	BEAD,HI-IMPEDANCE	Z=30ohm(200MHZ~) 0603 300mA	
L123		2379330006	BEAD,HI-IMPEDANCE	Z=30ohm(200MHZ~) 0603 300mA	
L125		2371120201	COIL,CHOKE	2mH 10*15 0.3mm/231.5Ts	P=5.0
L126		2371120201	COIL,CHOKE	2mH 10*15 0.3mm/231.5Ts	P=5.0
L127		2253200096	RES,CHIP 1/10W	RC 0603 1/10W 0 ohm	J
L128		2253200096	RES,CHIP 1/10W	RC 0603 1/10W 0 ohm	J
L129		2379360196	BEAD,HI-IMPEDANCE	Z=600ohm(100MHZ~) 0603 200mA	
L130		2379360196	BEAD,HI-IMPEDANCE	Z=600ohm(100MHZ~) 0603 200mA	
L131		2379520196	BEAD,HI-CURRENT	Z=200ohm 0805 I=2.0A	
L132		2379520196	BEAD,HI-CURRENT	Z=200ohm 0805 I=2.0A	
L134		2379360196	BEAD,HI-IMPEDANCE	Z=600ohm(100MHZ~) 0603 200mA	
L135		2379360196	BEAD,HI-IMPEDANCE	Z=600ohm(100MHZ~) 0603 200mA	
L136		2379360196	BEAD,HI-IMPEDANCE	Z=600ohm(100MHZ~) 0603 200mA	
L137		2379360196	BEAD,HI-IMPEDANCE	Z=600ohm(100MHZ~) 0603 200mA	
L138		2379360196	BEAD,HI-IMPEDANCE	Z=600ohm(100MHZ~) 0603 200mA	
L139		2379520196	BEAD,HI-CURRENT	Z=200ohm 0805 I=2.0A	
L140		2379360196	BEAD,HI-IMPEDANCE	Z=600ohm(100MHZ~) 0603 200mA	
L141		2379380096	BEAD,HI-IMPEDANCE	Z=80ohm(100MHZ~) 0603 200mA	
L142		2253200096	RES,CHIP 1/10W	RC 0603 1/10W 0 ohm	J
L143		2253200096	RES,CHIP 1/10W	RC 0603 1/10W 0 ohm	J
L144		2378633996	Wound Chip Inductor	3.3uH/3225	K

LOC NO.	SOURCE	PART NO.	DESCRIPTION	SPECIFICATION	REMARK
L145		2378633996	Wound Chip Inductor	3.3uH/3225	K
L146		2378633996	W Wound Chip Inductor	3.3uH/3225	K
L147		2378633996	Wound Chip Inductor	3.3uH/3225	K
L148		2379520196	BEAT,HI-CURRENT	Z=200ohm 0805 I=2.0A	
L149		2378633996	Wound Chip Inductor	3.3uH/3225	K
L150		2379520196	BEAT,HI-CURRENT	Z=200ohm 0805 I=2.0A	
L151		2378633996	Wound Chip Inductor	3.3uH/3225	K
L152		2253200096	RES,CHIP 1/10W	RC 0603 1/10W 0 ohm	J
L153		2253200096	RES,CHIP 1/10W	RC 0603 1/10W 0 ohm	J
L154		2253200096	RES,CHIP 1/10W	RC 0603 1/10W 0 ohm	J
L155		2253200096	RES,CHIP 1/10W	RC 0603 1/10W 0 ohm	J
L166		2253310096	RES,CHIP 1/8	RC 0805 1/8 W 10 ohm	J
L167		2253310096	RES,CHIP 1/8	RC 0805 1/8 W 10 ohm	J
L168		2379520196	BEAT,HI-CURRENT	Z=200ohm 0805 I=2.0A	
L169		2379520196	BEAT,HI-CURRENT	Z=200ohm 0805 I=2.0A	
L170		2379520196	BEAT,HI-CURRENT	Z=200ohm 0805 I=2.0A	
L171		2379520196	BEAT,HI-CURRENT	Z=200ohm 0805 I=2.0A	
L183		2379360196	BEAD,HI-IMPEDANCE	Z=600ohm(100MHZ~) 0603 200mA	
L184		2379360196	BEAD,HI-IMPEDANCE	Z=600ohm(100MHZ~) 0603 200mA	
L201		2371154600	COIL,CHOKE	R6*20 5.2UH 0.9mm/145.5Ts	
L202		2379103391	FERRITE CORE	3.5*6*0.8x2 100MHZ=100ohm Min	
L601		2379520196	BEAT,HI-CURRENT	Z=200ohm 0805 I=2.0A	
L602		2379520196	BEAT,HI-CURRENT	Z=200ohm 0805 I=2.0A	
L603		2371115001	COIL,CHOKE	15uH/ 8*10 UEW 0.5mm/21.5Ts	
L604		2371115001	COIL,CHOKE	15uH/ 8*10 UEW 0.5mm/21.5Ts	
L605		2371115001	COIL,CHOKE	15uH/ 8*10 UEW 0.5mm/21.5Ts	
L606		2371115001	COIL,CHOKE	15uH/ 8*10 UEW 0.5mm/21.5Ts	
L607		2379103391	FERRITE CORE	3.5*6*0.8x2 100MHZ=100ohm Min	
L608		2379103391	FERRITE CORE	3.5*6*0.8x2 100MHZ=100ohm Min	
P101		2404301011	CONNECTOR	JST XH 12P SIDE P=2.5 OR EQUAL	
P105	RA	2407640119	SOCKET,SMD	T019PIN-JSN001B (HDMI) TAYBANG	
P105	RB	2407640219	SOCKET,SMD	HMR47-19P HDMI ACON	
P106		2407430900	SOCKET (D-SUB)	DHSB-15FTF7 BLUE(661C) LEOCO	
P107		2405313201	RCA JACK	RJ-1165*07-0300A JYE TAI	
P108	RA	2405324201	RCA JACK	RJ-1145*09-0300A JYE TAI	
P108	RB	2405324201P	RCA JACK	RJ-1145*09-0300A JYE TAI	
P110	RA	2405324201	RCA JACK	RJ-1145*09-0300A JYE TAI	
P110	RB	2405324201P	RCA JACK	RJ-1145*09-0300A JYE TAI	
P111		2405106100	EARPHONE JACK	EAR JACK 2P TOP (BLUE/LIME)	
P112		2405322201	RCA JACK	2*2P (4P BLU/YEL/RED/GRN)	
P113		2407442900	SOCKET	DN-508BS-4 DIN(BLK) PETER'S	
P114		2404322130	CONNECTOR	2R1L SIDE P=2.0mm 2046P30HT00	
P118		2404371003	CONNECTOR	JST PH 4P TOP P=2.0 OR EQUAL	
P119		2404371003	CONNECTOR	JST PH 4P TOP P=2.0 OR EQUAL	
P122		2404301105	CONNECTOR	JST PH 6P SIDE P=2.0 OR EQUAL	
P124		2404301106	CONNECTOR	JST PH 7P SIDE P=2.0 OR EQUAL	
P602		2404300003	CONNECTOR	JST XH 4P TOP P=2.5 OR EQUAL	
Q101	RA	2360501196	FET,P-CH SMD	AP9435M SO-8 APEC	
Q101	RB	2360501696	FET,P-CH SMD	SI9435DY SO-8 VISHAY	
Q101	RC	2360501596	FET,P-CH SMD	AO4405 SO-8 AOS	
Q102	RA	2360300896	XISTOR,NPN R SMD	MMBT3904 SOT-23 FAIRCHILD	
Q102	RB	2360301296	XISTOR,NPN R SMD	MMBT3904 SOT-23 DIODES	
Q102	RC	2360300596	XISTOR,NPN R SMD	MMBT3904-7 SOT-23 VISHAY	
Q102	RD	2360301696	XISTOR,NPN R SMD	PMBS3904 SOT-23 PHILIPS	
Q102	RE	2360302196	XISTOR,NPN R SMD	MMBT3904 SOT-23 ON	
Q103	RA	2360300896	XISTOR,NPN R SMD	MMBT3904 SOT-23 FAIRCHILD	
Q103	RB	2360301296	XISTOR,NPN R SMD	MMBT3904 SOT-23 DIODES	
Q103	RC	2360300596	XISTOR,NPN R SMD	MMBT3904-7 SOT-23 VISHAY	
Q103	RD	2360301696	XISTOR,NPN R SMD	PMBS3904 SOT-23 PHILIPS	
Q103	RE	2360302196	XISTOR,NPN R SMD	MMBT3904 SOT-23 ON	
Q104	RA	2360300896	XISTOR,NPN R SMD	MMBT3904 SOT-23 FAIRCHILD	
Q104	RB	2360301296	XISTOR,NPN R SMD	MMBT3904 SOT-23 DIODES	
Q104	RC	2360300596	XISTOR,NPN R SMD	MMBT3904-7 SOT-23 VISHAY	
Q104	RD	2360301696	XISTOR,NPN R SMD	PMBS3904 SOT-23 PHILIPS	
Q104	RE	2360302196	XISTOR,NPN R SMD	MMBT3904 SOT-23 ON	

LOC NO.	SOURCE	PART NO.	DESCRIPTION	SPECIFICATION	REMARK
Q105	RA	2360300896	XISTOR,NPN R SMD	MMBT3904 SOT-23	FAIRCHILD
Q105	RB	2360301296	XISTOR,NPN R SMD	MMBT3904 SOT-23	DIODES
Q105	RC	2360300596	XISTOR,NPN R SMD	MMBT3904-7 SOT-23	VISHAY
Q105	RD	2360301696	XISTOR,NPN R SMD	PMBS3904 SOT-23	PHILIPS
Q105	RE	2360302196	XISTOR,NPN R SMD	MMBT3904 SOT-23	ON
Q106	RA	2360300896	XISTOR,NPN R SMD	MMBT3904 SOT-23	FAIRCHILD
Q106	RB	2360301296	XISTOR,NPN R SMD	MMBT3904 SOT-23	DIODES
Q106	RC	2360300596	XISTOR,NPN R SMD	MMBT3904-7 SOT-23	VISHAY
Q106	RD	2360301696	XISTOR,NPN R SMD	PMBS3904 SOT-23	PHILIPS
Q106	RE	2360302196	XISTOR,NPN R SMD	MMBT3904 SOT-23	ON
Q107	RA	2360300896	XISTOR,NPN R SMD	MMBT3904 SOT-23	FAIRCHILD
Q107	RB	2360301296	XISTOR,NPN R SMD	MMBT3904 SOT-23	DIODES
Q107	RC	2360300596	XISTOR,NPN R SMD	MMBT3904-7 SOT-23	VISHAY
Q107	RD	2360301696	XISTOR,NPN R SMD	PMBS3904 SOT-23	PHILIPS
Q107	RE	2360302196	XISTOR,NPN R SMD	MMBT3904 SOT-23	ON
Q108	RA	2360300896	XISTOR,NPN R SMD	MMBT3904 SOT-23	FAIRCHILD
Q108	RB	2360301296	XISTOR,NPN R SMD	MMBT3904 SOT-23	DIODES
Q108	RC	2360300596	XISTOR,NPN R SMD	MMBT3904-7 SOT-23	VISHAY
Q108	RD	2360301696	XISTOR,NPN R SMD	PMBS3904 SOT-23	PHILIPS
Q108	RE	2360302196	XISTOR,NPN R SMD	MMBT3904 SOT-23	ON
Q109	RA	2360300896	XISTOR,NPN R SMD	MMBT3904 SOT-23	FAIRCHILD
Q109	RB	2360301296	XISTOR,NPN R SMD	MMBT3904 SOT-23	DIODES
Q109	RC	2360300596	XISTOR,NPN R SMD	MMBT3904-7 SOT-23	VISHAY
Q109	RD	2360301696	XISTOR,NPN R SMD	PMBS3904 SOT-23	PHILIPS
Q109	RE	2360302196	XISTOR,NPN R SMD	MMBT3904 SOT-23	ON
Q110	RA	2360300896	XISTOR,NPN R SMD	MMBT3904 SOT-23	FAIRCHILD
Q110	RB	2360301296	XISTOR,NPN R SMD	MMBT3904 SOT-23	DIODES
Q110	RC	2360300596	XISTOR,NPN R SMD	MMBT3904-7 SOT-23	VISHAY
Q110	RD	2360301696	XISTOR,NPN R SMD	PMBS3904 SOT-23	PHILIPS
Q110	RE	2360302196	XISTOR,NPN R SMD	MMBT3904 SOT-23	ON
Q111	RA	2360500896	FET,P-CH SMD	FDS4953	FAIRCHILD
Q111	RB	2360500796	FET,P-CH SMD	CEM4953	CET
Q111	RC	2360510196	FET,P-CH SMD	SI4953DY SO-8	VISHAY
Q112	RA	2360300896	XISTOR,NPN R SMD	MMBT3904 SOT-23	FAIRCHILD
Q112	RB	2360301296	XISTOR,NPN R SMD	MMBT3904 SOT-23	DIODES
Q112	RC	2360300596	XISTOR,NPN R SMD	MMBT3904-7 SOT-23	VISHAY
Q112	RD	2360301696	XISTOR,NPN R SMD	PMBS3904 SOT-23	PHILIPS
Q112	RE	2360302196	XISTOR,NPN R SMD	MMBT3904 SOT-23	ON
Q115	RA	2360607696	FET,N-CH(SMD)	2N7002	FAIRCHILD SOT-23
Q115	RB	2360608496	FET,N-CH(SMD)	2N7002K SOT-23	VISHAY
Q115	RC	2360609096	FET,N-CH(SMD)	2N7002K SOT-23	PHILIPS
Q115	RD	2360609196	FET,N-CH(SMD)	2N7002L SOT-23	ON
Q116	RA	2360607696	FET,N-CH(SMD)	2N7002	FAIRCHILD SOT-23
Q116	RB	2360608496	FET,N-CH(SMD)	2N7002K SOT-23	VISHAY
Q116	RC	2360609096	FET,N-CH(SMD)	2N7002K SOT-23	PHILIPS
Q116	RD	2360609196	FET,N-CH(SMD)	2N7002L SOT-23	ON
Q117	RA	2360607696	FET,N-CH(SMD)	2N7002	FAIRCHILD SOT-23
Q117	RB	2360608496	FET,N-CH(SMD)	2N7002K SOT-23	VISHAY
Q117	RC	2360609096	FET,N-CH(SMD)	2N7002K SOT-23	PHILIPS
Q117	RD	2360609196	FET,N-CH(SMD)	2N7002L SOT-23	ON
Q118	RA	2360607696	FET,N-CH(SMD)	2N7002	FAIRCHILD SOT-23
Q118	RB	2360608496	FET,N-CH(SMD)	2N7002K SOT-23	VISHAY
Q118	RC	2360609096	FET,N-CH(SMD)	2N7002K SOT-23	PHILIPS
Q118	RD	2360609196	FET,N-CH(SMD)	2N7002L SOT-23	ON
Q125	RA	2360300896	XISTOR,NPN R SMD	MMBT3904 SOT-23	FAIRCHILD
Q125	RB	2360301296	XISTOR,NPN R SMD	MMBT3904 SOT-23	DIODES
Q125	RC	2360300596	XISTOR,NPN R SMD	MMBT3904-7 SOT-23	VISHAY
Q125	RD	2360301696	XISTOR,NPN R SMD	PMBS3904 SOT-23	PHILIPS
Q125	RE	2360302196	XISTOR,NPN R SMD	MMBT3904 SOT-23	ON
Q126	RA	2360100596	XISTOR,PNP R SMD	MMBT3906 SOT-23	FAIRCHILD
Q126	RB	2360100696	XISTOR,PNP R SMD	PMBS3906 SOT-23	PHILIPS
Q126	RC	2360100396	XISTOR,PNP R SMD	MMBT3906-7 SOT-23	VISHAY
Q126	RD	2360100796	XISTOR,PNP R SMD	MMBT3906 SOT-23	DIODES
Q126	RE	2360100896	XISTOR,PNP R SMD	MMBT3906LT1 SOT-23	ON
Q127	RA	2360100596	XISTOR,PNP R SMD	MMBT3906 SOT-23	FAIRCHILD

LOC NO.	SOURCE	PART NO.	DESCRIPTION	SPECIFICATION			REMARK
Q127	RB	2360100696	XISTOR,PNP R SMD	PMBS3906	SOT-23	PHILIPS	
Q127	RC	2360100396	XISTOR,PNP R SMD	MMBT3906-7	SOT-23	VISHAY	
Q127	RD	2360100796	XISTOR,PNP R SMD	MMBT3906	SOT-23	DIODES	
Q127	RE	2360100896	XISTOR,PNP R SMD	MMBT3906LT1	SOT-23	ON	
Q601	RA	2360100596	XISTOR,PNP R SMD	MMBT3906	SOT-23	FAIRCHILD	
Q601	RB	2360100696	XISTOR,PNP R SMD	PMBS3906	SOT-23	PHILIPS	
Q601	RC	2360100396	XISTOR,PNP R SMD	MMBT3906-7	SOT-23	VISHAY	
Q601	RD	2360100796	XISTOR,PNP R SMD	MMBT3906	SOT-23	DIODES	
Q601	RE	2360100896	XISTOR,PNP R SMD	MMBT3906LT1	SOT-23	ON	
Q602	RA	2360100596	XISTOR,PNP R SMD	MMBT3906	SOT-23	FAIRCHILD	
Q602	RB	2360100696	XISTOR,PNP R SMD	PMBS3906	SOT-23	PHILIPS	
Q602	RC	2360100396	XISTOR,PNP R SMD	MMBT3906-7	SOT-23	VISHAY	
Q602	RD	2360100796	XISTOR,PNP R SMD	MMBT3906	SOT-23	DIODES	
Q602	RE	2360100896	XISTOR,PNP R SMD	MMBT3906LT1	SOT-23	ON	
R104		2253210396	RES,CHIP 1/10W	RC 0603 1/10W		10Kohm	J
R105		2253222296	RES,CHIP 1/10W	RC 0603 1/10W		2.2Kohm	J
R106		2253210396	RES,CHIP 1/10W	RC 0603 1/10W		10Kohm	J
R107		2253222296	RES,CHIP 1/10W	RC 0603 1/10W		2.2Kohm	J
R108		2253210396	RES,CHIP 1/10W	RC 0603 1/10W		10Kohm	J
R109		2253218196	RES,CHIP 1/10W	RC 0603 1/10W		180 ohm	J
R110		2253247296	RES,CHIP 1/10W	RC 0603 1/10W		4.7Kohm	J
R111		2253247296	RES,CHIP 1/10W	RC 0603 1/10W		4.7Kohm	J
R114		2253247296	RES,CHIP 1/10W	RC 0603 1/10W		4.7Kohm	J
R115		2253247296	RES,CHIP 1/10W	RC 0603 1/10W		4.7Kohm	J
R117		2253200096	RES,CHIP 1/10W	RC 0603 1/10W		0 ohm	J
R119		2253210396	RES,CHIP 1/10W	RC 0603 1/10W		10Kohm	J
R120		2253222096	RES,CHIP 1/10W	RC 0603 1/10W		22 ohm	J
R121		2253247296	RES,CHIP 1/10W	RC 0603 1/10W		4.7Kohm	J
R124		2253210396	RES,CHIP 1/10W	RC 0603 1/10W		10Kohm	J
R125		2253233096	RES,CHIP 1/10W	RC 0603 1/10W		33 ohm	J
R126		2253233096	RES,CHIP 1/10W	RC 0603 1/10W		33 ohm	J
R127		2253233096	RES,CHIP 1/10W	RC 0603 1/10W		33 ohm	J
R128		2253210196	RES,CHIP 1/10W	RC 0603 1/10W		100 ohm	J
R129		2253210196	RES,CHIP 1/10W	RC 0603 1/10W		100 ohm	J
R130		2253210196	RES,CHIP 1/10W	RC 0603 1/10W		100 ohm	J
R131		2253210196	RES,CHIP 1/10W	RC 0603 1/10W		100 ohm	J
R132		2253210196	RES,CHIP 1/10W	RC 0603 1/10W		100 ohm	J
R135		2253210196	RES,CHIP 1/10W	RC 0603 1/10W		100 ohm	J
R136		2253210196	RES,CHIP 1/10W	RC 0603 1/10W		100 ohm	J
R138		2253210196	RES,CHIP 1/10W	RC 0603 1/10W		100 ohm	J
R140		2253215296	RES,CHIP 1/10W	RC 0603 1/10W		1.5Kohm	J
R141		2253251196	RES,CHIP 1/10W	RC 0603 1/10W		510 ohm	J
R142		2253210196	RES,CHIP 1/10W	RC 0603 1/10W		100 ohm	J
R143		2253210196	RES,CHIP 1/10W	RC 0603 1/10W		100 ohm	J
R144		2253247296	RES,CHIP 1/10W	RC 0603 1/10W		4.7Kohm	J
R145		2253247296	RES,CHIP 1/10W	RC 0603 1/10W		4.7Kohm	J
R146		2253210196	RES,CHIP 1/10W	RC 0603 1/10W		100 ohm	J
R147		2253210196	RES,CHIP 1/10W	RC 0603 1/10W		100 ohm	J
R149		2253247096	RES,CHIP 1/10W	RC 0603 1/10W		47 ohm	J
R150		2253247096	RES,CHIP 1/10W	RC 0603 1/10W		47 ohm	J
R151		2253247096	RES,CHIP 1/10W	RC 0603 1/10W		47 ohm	J
R152		2253247096	RES,CHIP 1/10W	RC 0603 1/10W		47 ohm	J
R153		2253247096	RES,CHIP 1/10W	RC 0603 1/10W		47 ohm	J
R154		2253210396	RES,CHIP 1/10W	RC 0603 1/10W		10Kohm	J
R155		2253210396	RES,CHIP 1/10W	RC 0603 1/10W		10Kohm	J
R161		2253247296	RES,CHIP 1/10W	RC 0603 1/10W		4.7Kohm	J
R162		2253247296	RES,CHIP 1/10W	RC 0603 1/10W		4.7Kohm	J
R163		2253210396	RES,CHIP 1/10W	RC 0603 1/10W		10Kohm	J
R164		2253210396	RES,CHIP 1/10W	RC 0603 1/10W		10Kohm	J
R165		2253222296	RES,CHIP 1/10W	RC 0603 1/10W		2.2Kohm	J
R166		2253222296	RES,CHIP 1/10W	RC 0603 1/10W		2.2Kohm	J
R167		2253210196	RES,CHIP 1/10W	RC 0603 1/10W		100 ohm	J
R169		2251275096	RES,CHIP 1/10	RC 0603 1/10W		75 ohm	F
R170		2251275096	RES,CHIP 1/10	RC 0603 1/10W		75 ohm	F
R171		2251275096	RES,CHIP 1/10	RC 0603 1/10W		75 ohm	F

LOC NO.	SOURCE	PART NO.	DESCRIPTION	SPECIFICATION	REMARK
R172		2253210196	RES,CHIP 1/10W	RC 0603 1/10W	100 ohm J
R173		2253210196	RES,CHIP 1/10W	RC 0603 1/10W	100 ohm J
R174		2253210196	RES,CHIP 1/10W	RC 0603 1/10W	100 ohm J
R175		2253210196	RES,CHIP 1/10W	RC 0603 1/10W	100 ohm J
R176		2253247296	RES,CHIP 1/10W	RC 0603 1/10W	4.7Kohm J
R177		2253247296	RES,CHIP 1/10W	RC 0603 1/10W	4.7Kohm J
R178		2251275096	RES,CHIP 1/10	RC 0603 1/10W	75 ohm F
R179		2251275096	RES,CHIP 1/10	RC 0603 1/10W	75 ohm F
R180		2251275096	RES,CHIP 1/10	RC 0603 1/10W	75 ohm F
R181		2253210496	RES,CHIP 1/10W	RC 0603 1/10W	100Kohm J
R182		2253210496	RES,CHIP 1/10W	RC 0603 1/10W	100Kohm J
R183		2253210496	RES,CHIP 1/10W	RC 0603 1/10W	100Kohm J
R184		2253210496	RES,CHIP 1/10W	RC 0603 1/10W	100Kohm J
R185		2253210496	RES,CHIP 1/10W	RC 0603 1/10W	100Kohm J
R186		2253210496	RES,CHIP 1/10W	RC 0603 1/10W	100Kohm J
R187		2253210496	RES,CHIP 1/10W	RC 0603 1/10W	100Kohm J
R188		2253210496	RES,CHIP 1/10W	RC 0603 1/10W	100Kohm J
R189		2253210196	RES,CHIP 1/10W	RC 0603 1/10W	100 ohm J
R190		2253210196	RES,CHIP 1/10W	RC 0603 1/10W	100 ohm J
R193		2253210496	RES,CHIP 1/10W	RC 0603 1/10W	100Kohm J
R194		2253210496	RES,CHIP 1/10W	RC 0603 1/10W	100Kohm J
R195		2253210496	RES,CHIP 1/10W	RC 0603 1/10W	100Kohm J
R196		2253210496	RES,CHIP 1/10W	RC 0603 1/10W	100Kohm J
R197		2253210496	RES,CHIP 1/10W	RC 0603 1/10W	100Kohm J
R198		2253210496	RES,CHIP 1/10W	RC 0603 1/10W	100Kohm J
R199		2253210496	RES,CHIP 1/10W	RC 0603 1/10W	100Kohm J
R200		2253210496	RES,CHIP 1/10W	RC 0603 1/10W	100Kohm J
R201		2253222096	RES,CHIP 1/10W	RC 0603 1/10W	22 ohm J
R203		2253200096	RES,CHIP 1/10W	RC 0603 1/10W	0 ohm J
R204		2253210396	RES,CHIP 1/10W	RC 0603 1/10W	10Kohm J
R205		2253218096	RES,CHIP 1/10W	RC 0603 1/10W	18 ohm J
R206		2253210396	RES,CHIP 1/10W	RC 0603 1/10W	10Kohm J
R208		2253210396	RES,CHIP 1/10W	RC 0603 1/10W	10Kohm J
R209		2253210296	RES,CHIP 1/10W	RC 0603 1/10W	1Kohm J
R210		2253210396	RES,CHIP 1/10W	RC 0603 1/10W	10Kohm J
R211		2253215396	RES,CHIP 1/10W	RC 0603 1/10W	15Kohm J
R212		2253215396	RES,CHIP 1/10W	RC 0603 1/10W	15Kohm J
R213		2253215396	RES,CHIP 1/10W	RC 0603 1/10W	15Kohm J
R214		2253200096	RES,CHIP 1/10W	RC 0603 1/10W	0 ohm J
R215		2253215396	RES,CHIP 1/10W	RC 0603 1/10W	15Kohm J
R216		2253215396	RES,CHIP 1/10W	RC 0603 1/10W	15Kohm J
R217		2253215396	RES,CHIP 1/10W	RC 0603 1/10W	15Kohm J
R218		2253210396	RES,CHIP 1/10W	RC 0603 1/10W	10Kohm J
R219		2253210196	RES,CHIP 1/10W	RC 0603 1/10W	100 ohm J
R220		2253210196	RES,CHIP 1/10W	RC 0603 1/10W	100 ohm J
R221		2253210396	RES,CHIP 1/10W	RC 0603 1/10W	10Kohm J
R222		2253200096	RES,CHIP 1/10W	RC 0603 1/10W	0 ohm J
R223		2253200096	RES,CHIP 1/10W	RC 0603 1/10W	0 ohm J
R224		2253215396	RES,CHIP 1/10W	RC 0603 1/10W	15Kohm J
R225		2253215396	RES,CHIP 1/10W	RC 0603 1/10W	15Kohm J
R232		2253210296	RES,CHIP 1/10W	RC 0603 1/10W	1Kohm J
R234		2253210396	RES,CHIP 1/10W	RC 0603 1/10W	10Kohm J
R235		2253210396	RES,CHIP 1/10W	RC 0603 1/10W	10Kohm J
R238		2253256096	RES,CHIP 1/10W	RC 0603 1/10W	56 ohm J
R239		2253233296	RES,CHIP 1/10W	RC 0603 1/10W	3.3Kohm J
R240		2253256096	RES,CHIP 1/10W	RC 0603 1/10W	56 ohm J
R241		2253210596	RES,CHIP 1/10W	RC 0603 1/10W	1Mohm J
R242		2253210196	RES,CHIP 1/10W	RC 0603 1/10W	100 ohm J
R243		2253210196	RES,CHIP 1/10W	RC 0603 1/10W	100 ohm J
R244		2253256096	RES,CHIP 1/10W	RC 0603 1/10W	56 ohm J
R245		2253256096	RES,CHIP 1/10W	RC 0603 1/10W	56 ohm J
R246		2253256096	RES,CHIP 1/10W	RC 0603 1/10W	56 ohm J
R247		2253256096	RES,CHIP 1/10W	RC 0603 1/10W	56 ohm J
R248		2253222396	RES,CHIP 1/10W	RC 0603 1/10W	22Kohm J
R249		2253222396	RES,CHIP 1/10W	RC 0603 1/10W	22Kohm J



LOC NO.	SOURCE	PART NO.	DESCRIPTION	SPECIFICATION	REMARK
R250		2253222396	RES,CHIP 1/10W	RC 0603 1/10W	22Kohm J
R251		2253251096	RES,CHIP 1/10W	RC 0603 1/10W	51 ohm J
R252		2253256096	RES,CHIP 1/10W	RC 0603 1/10W	56 ohm J
R256		2253247096	RES,CHIP 1/10W	RC 0603 1/10W	47 ohm J
R257		2253247096	RES,CHIP 1/10W	RC 0603 1/10W	47 ohm J
R260		2253218096	RES,CHIP 1/10W	RC 0603 1/10W	18 ohm J
R261		2253218096	RES,CHIP 1/10W	RC 0603 1/10W	18 ohm J
R262		2253218096	RES,CHIP 1/10W	RC 0603 1/10W	18 ohm J
R263		2253218096	RES,CHIP 1/10W	RC 0603 1/10W	18 ohm J
R264		2253218096	RES,CHIP 1/10W	RC 0603 1/10W	18 ohm J
R265		2253218096	RES,CHIP 1/10W	RC 0603 1/10W	18 ohm J
R267		2253210396	RES,CHIP 1/10W	RC 0603 1/10W	10Kohm J
R268		2253210396	RES,CHIP 1/10W	RC 0603 1/10W	10Kohm J
R271		2253210396	RES,CHIP 1/10W	RC 0603 1/10W	10Kohm J
R272		2253210396	RES,CHIP 1/10W	RC 0603 1/10W	10Kohm J
R273		2253210396	RES,CHIP 1/10W	RC 0603 1/10W	10Kohm J
R275		2253247296	RES,CHIP 1/10W	RC 0603 1/10W	4.7Kohm J
R289		2253210296	RES,CHIP 1/10W	RC 0603 1/10W	1Kohm J
R292		2253210196	RES,CHIP 1/10W	RC 0603 1/10W	100 ohm J
R293		2253210196	RES,CHIP 1/10W	RC 0603 1/10W	100 ohm J
R294		2253210196	RES,CHIP 1/10W	RC 0603 1/10W	100 ohm J
R295		2253222296	RES,CHIP 1/10W	RC 0603 1/10W	2.2Kohm J
R296		2253222296	RES,CHIP 1/10W	RC 0603 1/10W	2.2Kohm J
R305		2253222396	RES,CHIP 1/10W	RC 0603 1/10W	22Kohm J
R306		2253222396	RES,CHIP 1/10W	RC 0603 1/10W	22Kohm J
R307		2253222396	RES,CHIP 1/10W	RC 0603 1/10W	22Kohm J
R308		2253222396	RES,CHIP 1/10W	RC 0603 1/10W	22Kohm J
R367		2253247296	RES,CHIP 1/10W	RC 0603 1/10W	4.7Kohm J
R368		2253210196	RES,CHIP 1/10W	RC 0603 1/10W	100 ohm J
R369		2253210196	RES,CHIP 1/10W	RC 0603 1/10W	100 ohm J
R374		2253200096	RES,CHIP 1/10W	RC 0603 1/10W	0 ohm J
R376		2253210596	RES,CHIP 1/10W	RC 0603 1/10W	1Mohm J
R377		2253247096	RES,CHIP 1/10W	RC 0603 1/10W	47 ohm J
R379		2253247096	RES,CHIP 1/10W	RC 0603 1/10W	47 ohm J
R381		2253200096	RES,CHIP 1/10W	RC 0603 1/10W	0 ohm J
R386		2253200096	RES,CHIP 1/10W	RC 0603 1/10W	0 ohm J
R387		2253210396	RES,CHIP 1/10W	RC 0603 1/10W	10Kohm J
R388		2253200096	RES,CHIP 1/10W	RC 0603 1/10W	0 ohm J
R390		2253200096	RES,CHIP 1/10W	RC 0603 1/10W	0 ohm J
R391		2253200096	RES,CHIP 1/10W	RC 0603 1/10W	0 ohm J
R392		2253200096	RES,CHIP 1/10W	RC 0603 1/10W	0 ohm J
R393		2253222096	RES,CHIP 1/10W	RC 0603 1/10W	22 ohm J
R394		2253200096	RES,CHIP 1/10W	RC 0603 1/10W	0 ohm J
R410		2253210396	RES,CHIP 1/10W	RC 0603 1/10W	10Kohm J
R411		2253222396	RES,CHIP 1/10W	RC 0603 1/10W	22Kohm J
R412		2253210396	RES,CHIP 1/10W	RC 0603 1/10W	10Kohm J
R413		2253210396	RES,CHIP 1/10W	RC 0603 1/10W	10Kohm J
R414		2253210296	RES,CHIP 1/10W	RC 0603 1/10W	1Kohm J
R415		2253210296	RES,CHIP 1/10W	RC 0603 1/10W	1Kohm J
R416		2253222396	RES,CHIP 1/10W	RC 0603 1/10W	22Kohm J
R417		2253247296	RES,CHIP 1/10W	RC 0603 1/10W	4.7Kohm J
R418		2253247296	RES,CHIP 1/10W	RC 0603 1/10W	4.7Kohm J
R424		2253210196	RES,CHIP 1/10W	RC 0603 1/10W	100 ohm J
R425		2253210196	RES,CHIP 1/10W	RC 0603 1/10W	100 ohm J
R427		2253210196	RES,CHIP 1/10W	RC 0603 1/10W	100 ohm J
R430		2253218196	RES,CHIP 1/10W	RC 0603 1/10W	180 ohm J
R431		2253218196	RES,CHIP 1/10W	RC 0603 1/10W	180 ohm J
R434		2253247096	RES,CHIP 1/10W	RC 0603 1/10W	47 ohm J
R435		2253247296	RES,CHIP 1/10W	RC 0603 1/10W	4.7Kohm J
R436		2253247296	RES,CHIP 1/10W	RC 0603 1/10W	4.7Kohm J
R442		2253200096	RES,CHIP 1/10W	RC 0603 1/10W	0 ohm J
R491		2253210396	RES,CHIP 1/10W	RC 0603 1/10W	10Kohm J
R493		2253210596	RES,CHIP 1/10W	RC 0603 1/10W	1Mohm J
R497		2253200096	RES,CHIP 1/10W	RC 0603 1/10W	0 ohm J
R507		2253247296	RES,CHIP 1/10W	RC 0603 1/10W	4.7Kohm J

LOC NO.	SOURCE	PART NO.	DESCRIPTION	SPECIFICATION	REMARK
R508		2253210296	RES,CHIP 1/10W	RC 0603 1/10W	1Kohm J
R509		2253200096	RES,CHIP 1/10W	RC 0603 1/10W	0 ohm J
R513		2253247296	RES,CHIP 1/10W	RC 0603 1/10W	4.7Kohm J
R514		2253210196	RES,CHIP 1/10W	RC 0603 1/10W	100 ohm J
R515		2253210196	RES,CHIP 1/10W	RC 0603 1/10W	100 ohm J
R516		2253210196	RES,CHIP 1/10W	RC 0603 1/10W	100 ohm J
R517		2253210196	RES,CHIP 1/10W	RC 0603 1/10W	100 ohm J
R518		2253210196	RES,CHIP 1/10W	RC 0603 1/10W	100 ohm J
R519		2253210196	RES,CHIP 1/10W	RC 0603 1/10W	100 ohm J
R520		2253210196	RES,CHIP 1/10W	RC 0603 1/10W	100 ohm J
R530		2253210196	RES,CHIP 1/10W	RC 0603 1/10W	100 ohm J
R531		2253210196	RES,CHIP 1/10W	RC 0603 1/10W	100 ohm J
R601		2253200096	RES,CHIP 1/10W	RC 0603 1/10W	0 ohm J
R602		2253200096	RES,CHIP 1/10W	RC 0603 1/10W	0 ohm J
R603		2253210196	RES,CHIP 1/10W	RC 0603 1/10W	100 ohm J
R604		2253210196	RES,CHIP 1/10W	RC 0603 1/10W	100 ohm J
R605		2253200096	RES,CHIP 1/10W	RC 0603 1/10W	0 ohm J
R606		2253200096	RES,CHIP 1/10W	RC 0603 1/10W	0 ohm J
R607		2253200096	RES,CHIP 1/10W	RC 0603 1/10W	0 ohm J
R609		2251228726	RES,CHIP 1/10	RC 0603 1/10W	28.7Kohm F
R610		2251263416	RES,CHIP 1/10	RC 0603 1/10W	6.34Kohm F
R611		2251219126	RES,CHIP 1/10	RC 0603 1/10W	19.1Kohm F
R612		2251222116	RES,CHIP 1/10	RC 0603 1/10W	2.21Kohm F
R613		2251210526	RES,CHIP 1/10	RC 0603 1/10W	10.5Kohm F
R614		2251210526	RES,CHIP 1/10	RC 0603 1/10W	10.5Kohm F
R615		2251211526	RES,CHIP 1/10	RC 0603 1/10W	11.5Kohm F
R616		2251257616	RES,CHIP 1/10	RC 0603 1/10W	5.76Kohm F
R617		2251257616	RES,CHIP 1/10	RC 0603 1/10W	5.76Kohm F
R618		2251211526	RES,CHIP 1/10	RC 0603 1/10W	11.5Kohm F
R619		2251231626	RES,CHIP 1/10	RC 0603 1/10W	31.6Kohm F
R620		2251242226	RES,CHIP 1/10	RC 0603 1/10W	42.2Kohm F
R621		2251263426	RES,CHIP 1/10	RC 0603 1/10W	63.4Kohm F
R622		2251215826	RES,CHIP 1/10	RC 0603 1/10W	15.8Kohm F
R623		2251217826	RES,CHIP 1/10	RC 0603 1/10W	17.8Kohm F
R624		2251222626	RES,CHIP 1/10	RC 0603 1/10W	22.6Kohm F
R625		2251222616	RES,CHIP 1/10	RC 0603 1/10W	2.26Kohm F
R626		2251230916	RES,CHIP 1/10	RC 0603 1/10W	3.09Kohm F
R627		2251248716	RES,CHIP 1/10	RC 0603 1/10W	4.87Kohm F
R628		2253233296	RES,CHIP 1/10W	RC 0603 1/10W	3.3Kohm J
R629		2253233296	RES,CHIP 1/10W	RC 0603 1/10W	3.3Kohm J
R630		2253600096	RES CHIP 1/2W	RC 2010 1/2 W	0 ohm J
R631		2253210296	RES,CHIP 1/10W	RC 0603 1/10W	1Kohm J
R632		2251210086	RES,CHIP 1/10	RC 0603 1/10W	1 ohm F
R633		2251210086	RES,CHIP 1/10	RC 0603 1/10W	1 ohm F
R635		2253210296	RES,CHIP 1/10W	RC 0603 1/10W	1Kohm J
R636		2253224296	RES,CHIP 1/10W	RC 0603 1/10W	2.4Kohm J
R637		2253224296	RES,CHIP 1/10W	RC 0603 1/10W	2.4Kohm J
R638		2253210296	RES,CHIP 1/10W	RC 0603 1/10W	1Kohm J
R639		2253239396	RES,CHIP 1/10W	RC 0603 1/10W	39Kohm J
R640		2253200096	RES,CHIP 1/10W	RC 0603 1/10W	0 ohm J
R641		2253200096	RES,CHIP 1/10W	RC 0603 1/10W	0 ohm J
R643		2253222396	RES,CHIP 1/10W	RC 0603 1/10W	22Kohm J
R644		2251210086	RES,CHIP 1/10	RC 0603 1/10W	1 ohm F
R645		2253600096	RES CHIP 1/2W	RC 2010 1/2 W	0 ohm J
R647		2253210396	RES,CHIP 1/10W	RC 0603 1/10W	10Kohm J
R648		2253210496	RES,CHIP 1/10W	RC 0603 1/10W	100Kohm J
R649		2253210396	RES,CHIP 1/10W	RC 0603 1/10W	10Kohm J
R650		2253210396	RES,CHIP 1/10W	RC 0603 1/10W	10Kohm J
R651		2253210396	RES,CHIP 1/10W	RC 0603 1/10W	10Kohm J
R652		2251210086	RES,CHIP 1/10	RC 0603 1/10W	1 ohm F
R654		2253210496	RES,CHIP 1/10W	RC 0603 1/10W	100Kohm J
R655		2253600096	RES CHIP 1/2W	RC 2010 1/2 W	0 ohm J
R656		2253210396	RES,CHIP 1/10W	RC 0603 1/10W	10Kohm J
R657		2251210086	RES,CHIP 1/10	RC 0603 1/10W	1 ohm F
R658		2251210086	RES,CHIP 1/10	RC 0603 1/10W	1 ohm F

LOC NO.	SOURCE	PART NO.	DESCRIPTION	SPECIFICATION	REMARK
R659		2253210496	RES,CHIP 1/10W	RC 0603 1/10W	100Kohm J
R662		2253210496	RES,CHIP 1/10W	RC 0603 1/10W	100Kohm J
R663		2251210086	RES,CHIP 1/10	RC 0603 1/10W	1 ohm F
R664		2253600096	RES,CHIP 1/2W	RC 2010 1/2 W	0 ohm J
R667		2253222396	RES,CHIP 1/10W	RC 0603 1/10W	22Kohm J
R668		2253239396	RES,CHIP 1/10W	RC 0603 1/10W	39Kohm J
R670		2253210296	RES,CHIP 1/10W	RC 0603 1/10W	1Kohm J
R671		2253224296	RES,CHIP 1/10W	RC 0603 1/10W	2.4Kohm J
R672		2253224296	RES,CHIP 1/10W	RC 0603 1/10W	2.4Kohm J
R673		2253210296	RES,CHIP 1/10W	RC 0603 1/10W	1Kohm J
R675		2251210086	RES,CHIP 1/10	RC 0603 1/10W	1 ohm F
R676		2253210296	RES,CHIP 1/10W	RC 0603 1/10W	1Kohm J
R677		2253233296	RES,CHIP 1/10W	RC 0603 1/10W	3.3Kohm J
R678		2253233296	RES,CHIP 1/10W	RC 0603 1/10W	3.3Kohm J
R679		2253210396	RES,CHIP 1/10W	RC 0603 1/10W	10Kohm J
R680		2253210396	RES,CHIP 1/10W	RC 0603 1/10W	10Kohm J
R683		2253210396	RES,CHIP 1/10W	RC 0603 1/10W	10Kohm J
RP01		2259247008	RES,CHIP NETWORKS	8P4R 1/16W	47 ohm P=0.8
RP02		2259247008	RES,CHIP NETWORKS	8P4R 1/16W	47 ohm P=0.8
RP03		2259247008	RES,CHIP NETWORKS	8P4R 1/16W	47 ohm P=0.8
RP04		2259247008	RES,CHIP NETWORKS	8P4R 1/16W	47 ohm P=0.8
RP05		2259247008	RES,CHIP NETWORKS	8P4R 1/16W	47 ohm P=0.8
RP06		2259247008	RES,CHIP NETWORKS	8P4R 1/16W	47 ohm P=0.8
RP13		2259210308	RES,CHIP NETWORKS	8P4R 1/16W	10Kohm P=0.8
RP14		2259210308	RES,CHIP NETWORKS	8P4R 1/16W	10Kohm P=0.8
RP15		2259210308	RES,CHIP NETWORKS	8P4R 1/16W	10Kohm P=0.8
RP16		2259210308	RES,CHIP NETWORKS	8P4R 1/16W	10Kohm P=0.8
RP17		2259247008	RES,CHIP NETWORKS	8P4R 1/16W	47 ohm P=0.8
RP18		2259247008	RES,CHIP NETWORKS	8P4R 1/16W	47 ohm P=0.8
RP19		2259247008	RES,CHIP NETWORKS	8P4R 1/16W	47 ohm P=0.8
RP20		2259247008	RES,CHIP NETWORKS	8P4R 1/16W	47 ohm P=0.8
RP21		2259247008	RES,CHIP NETWORKS	8P4R 1/16W	47 ohm P=0.8
RP22		2259247008	RES,CHIP NETWORKS	8P4R 1/16W	47 ohm P=0.8
RP23		2259247008	RES,CHIP NETWORKS	8P4R 1/16W	47 ohm P=0.8
RP24		2259247008	RES,CHIP NETWORKS	8P4R 1/16W	47 ohm P=0.8
RP28		2259247008	RES,CHIP NETWORKS	8P4R 1/16W	47 ohm P=0.8
RP32		2259247008	RES,CHIP NETWORKS	8P4R 1/16W	47 ohm P=0.8
RP33		2259247008	RES,CHIP NETWORKS	8P4R 1/16W	47 ohm P=0.8
U601		2202520300	PCB MULTILAYER	JC328A11U M/B FR4*4 310*240	
X102		2369105101	XTAL,OSC	18.432MHZ/49US 0.1mW/30pF	
X103		2369105301	XTAL,OSC	20.000MHZ/49US 0.1mW/16pF	
X105		2369102901	XTAL,OSC	14.31818MHZ/49US 0.1mW/30pF	
X107		2369103601	XTAL,OSC	12.000MHZ/49US 0.1mW/30pF	

### CON P.C.BOARD

P701		2404301106	CONNECTOR	JST PH 7P SIDE P=2.0 OR EQUAL	
S702		2403702200	SWITCH,PU-TC	TSAA-2 HUAJIE	
S703		2403702200	SWITCH,PU-TC	TSAA-2 HUAJIE	
S704		2403702200	SWITCH,PU-TC	TSAA-2 HUAJIE	
S705		2403702200	SWITCH,PU-TC	TSAA-2 HUAJIE	
S706		2403702200	SWITCH,PU-TC	TSAA-2 HUAJIE	
S707		2403702200	SWITCH,PU-TC	TSAA-2 HUAJIE	
U701		2202129800	PC BOARD	JC278 KEY/B CEM1 120*20 V1.00	

### IR P.C.BOARD

D711		2363705101	LED	L-3WEGW KINGBRIGHT	
I711		2419301100	RECEIV BLOCK	PL-IRM0206-A538 PARA LIGHT	
P711		2404301105	CONNECTOR	JST PH 6P SIDE P=2.0 OR EQUAL	
S701		2403702200	SWITCH,PU-TC	TSAA-2 HUAJIE	
U702		2202130900	PC BOARD	JC32A IR/B CEM1 54*53	
U801	RA	2200202300	PC BOARD ASS'Y	FSP212-3F01 JC328 SPH	
U801	RB	2200202400	PC BOARD ASS'Y	201-C001 JC328 DARFON	
U801	RC	2200202500	PC BOARD ASS'Y	OVP-007 LIEN CHANG	



LOC NO.	SOURCE	PART NO.	DESCRIPTION	SPECIFICATION	REMARK
<b>OTHERS</b>					
H901		2419200025	CONT BLOCK	N3250W ViewSonic USA	SMK
P903		2427414002	WIRE HARNESS	10/14P H/A 1007#24+128C	L=400
P904		2427430008	WIRE HARNESS	30/30P H/H 1571#28+128C	L=300
P905		2427404006	WIRE HARNESS	4/2+2P H/A 1007#24	L=600
P906		2427406001	WIRE HARNESS	6/6P H/H 1007#26+128C	L=420
P907		2427407001	WIRE HARNESS	7/7P H/H 1007#26+128C	L=500
P951		2427130046	POWER CORD	USA WALL	1.83M BLACK
P955		2427701893	CABLE	RCA 3P(Y/R/W) 2562#26	1.8M BLK
P961		2427501187	I/O CABLE	D15/D15 20276(3+6)	1.83M BLACK
S801		2407001700A	SOCKET,ASSY	INLET+CON/SW 1015#18	L=110
V901		2212008100	LCD PANEL	T315XW01 V2	AU
W901		2391310061	SPEAKER ASS'Y	10W/6ohm W60*L228*H74.5	J.G

**\*Reader's Response\***

Dear Readers:

Thank you in advance for your feedback on our Service Manual, which allows continuous improvement of our products. We would appreciate your completion of the Assessment Matrix below, for return to ViewSonic Corporation.

Assessment

A. What do you think about the content of **this** Service Manual?

<i>Unit</i>	<i>Excellent</i>	<i>Good</i>	<i>Fair</i>	<i>Bad</i>
<b>1. Precautions and Safety Notices</b>				
<b>2. Specification</b>				
<b>3. Front Panel Function Control Description</b>				
<b>4. Circuit Description</b>				
<b>5. Adjustment Procedure</b>				
<b>6. Troubleshooting Flow Chart</b>				
<b>7. Recommended Spare Parts List</b>				
<b>8. Exploded Diagram and Exploded Parts List</b>				
<b>9. Block Diagram</b>				
<b>10. Schematic Diagrams</b>				
<b>11. PCB Layout Diagrams</b>				

B. Are you satisfied with this Service Manual?

<i>Item</i>	<i>Excellent</i>	<i>Good</i>	<i>Fair</i>	<i>Bad</i>
1. Service Manual Content				
2. Service Manual Layout				
3. The form and listing				

C. Do you have any other opinions or suggestions regarding **this** service manual?

Reader's basic data:

Name:		Title:	
Company:			
Add:			
Tel:		Fax:	
E-mail:			

After completing this form, please return it to ViewSonic Quality Assurance in the USA at facsimile 1-909-839-7943. You may also e-mail any suggestions to the Director, Quality Systems & Processes (marc.maupin@viewsonic.com)