

# **Service Manual**

**ViewSonic VE155s  
VE500-2  
VE155  
VE155b  
VA520-2**

**Model No. VLCDS23585-1W  
VLCDS23585-2W  
VLCDS23585-3W  
(MRT MASCOT VZ Scalar)  
15" Color TFT LCD Display**

(VE155s-1\_SM\_699, VE500-5\_SM\_700, VE155/b\_SM\_531, VA520-2\_SM\_559 - Rev. 1b- Jul. 2003)

---

ViewSonic® 381 Brea Canyon Road, Walnut, California 91789 USA - (800) 888-8583

**Copyright**

Copyright © 2003 by ViewSonic Corporation. All rights reserved. No part of this publication may be reproduced, transmitted, transcribed, stored in a retrieval system, or translated into any language or computer language, in any form or by any means, electronic, mechanical, magnetic, optical, chemical, manual or otherwise, without the prior written permission of ViewSonic Corporation.

**Disclaimer**

ViewSonic makes no representations or warranties, either expressed or implied, with respect to the contents hereof and specifically disclaims any warranty of merchantability or fitness for any particular purpose. Further, ViewSonic reserves the right to revise this publication and to make changes from time to time in the contents hereof without obligation of ViewSonic to notify any person of such revision or changes.

**Trademarks**

Optiquest is a registered trademark of ViewSonic Corporation.  
ViewSonic is a registered trademark of ViewSonic Corporation.  
All other trademarks used within this document are the property of their respective owners.

## Revision History

Revision	Date	Description Of Changes	Approval
1a	06/08/02	Initial Release DCN- 2228, 2324	SEARST
1b	07/30/03	Revise DCN- 3502/3503,3612/3613	Fellen. Fan

# TABLE OF CONTENTS

1. Precautions and Notices .....	1
2. Specification .....	2
3. Control Location and Functions .....	6
4. Circuit Description .....	12
5. Adjusting Procedure.....	13
6. Trouble Shooting Flow Chart .....	15
7. Exploded Diagram.....	17
8. Exploded Parts List.....	18
9. Block Diagram .....	20
10. Schematic Diagram .....	21
11. PCB Layout .....	27
12. Recommend Spare Parts List.....	31
13. Electrical Parts List .....	33

# 1. PRECAUTION AND SAFETY NOTICES

## 1.1. SAFETY PRECAUTIONS

This monitor is manufactured and tested on a ground principle that a user's safety comes first. However, improper use or installation may cause damage to the monitor as well as to the user. Carefully go over the following WARNINGS before installing and keep this guide handy.

### WARNINGS:

- ◆ This monitor should be operated only at the correct power sources indicated on the label on the rear end of the monitor. If you're unsure of the power supply in your residence, consult your local dealer or power company.
- ◆ Do not try to repair the monitor your self as it contains no user-serviceable parts. This monitor should only be repaired by a qualified technician.
- ◆ Do not remove the monitor cabinet. There is high-voltage parts inside that may cause electric shock to human bodies, even when the power cord is unplugged.
- ◆ Stop using the monitor if the cabinet is damaged. Have it checked by a service technician.
- ◆ Put your monitor only in a clean, dry environment. If it gets wet, unplug the power cable immediately and consult your service technician.
- ◆ Always unplug the monitor before cleaning it. Clean the cabinet with a clean, dry cloth. Apply non-ammonia based cleaner onto the cloth, not directly onto the glass screen.
- ◆ Keep the monitor away from magnetic objects, motors, TV sets, and transformer.
- ◆ Do not place heavy objects on the monitor or power cord.

## 1.2. PRODUCT SAFETY NOTICE

Many electrical and mechanical parts in this chassis have special safety visual inspections and the protection afforded by them cannot necessarily be obtained by using replacement components rated for higher voltages, wattage, etc. Before replacing any of these components read the parts list in this manual carefully. The use of substitute replacement parts which do not have the same safety characteristics as specified in the parts list may create shock, fire, or other hazards.

## 1.3. SERVICE NOTES

1. When replacing parts or circuit boards, clamp the lead wires around terminals before soldering.
2. When replacing a high wattage resistor (more than 1W of metal oxide film resistor) in circuit board, keep the resistor about 5mm away from circuit board.
3. Keep wires away from high voltage, high temperature components and sharp edges.
4. Keep wires in their original position so as to reduce interference.
5. Usage of this product please refer to also user's manual.

## 2. SPECIFICATION

### 2.1. PRODUCT SPECIFICATION

LCD Panel	15.0" TFT
Power Management	Energy Star compliant VESA DPMS compatible < 2W
Displayable Resolution	XGA 1024× 768 (max.)
Pixel Dimension	0.297× 0.297mm
LCD Display Color	16.7M Color Max. (8bit)
Viewing Angle	CR ≥ 10 Horizontal: -60°+60° Vertical: -45°+55°
Tilt	+90°, -5°
Contrast Ratio	200 : 1 (min) 400 : 1 (typ.)
Brightness	200cd/ m <sup>2</sup> (min.) 250 cd/m <sup>2</sup> (typ.)
Response Time	Tr: 7 ms Tf: 23ms (typ.)
Active Display Area	304.1mm× 228.1mm
Temperature	Operating: 0°C ~ +35°C Storage: -20°C ~ +60°C
Compliance	UL, CUL, TÜV/GS, TÜV/Ergo, CE, FCC-B, Energy Star, VCCI, BSMI, GOST-R, TCO'99 and CCC.
Power	Input Voltage: 100~240 Vac Consumption: 30 Watts (Max.)

## 2.2. SUPPORTING TIMING CHART

ITEM	1	2	3	4	5
TIMING	640×350@70 Hz	720×400@70 Hz	640×480@60 Hz	640×480@67 Hz	640×480@72 Hz
Pixel Rate	25.175MHz	28.322MHz	25.175MHz	30.240MHz	31.500MHz
H TOTAL	31.778us	31.778us	31.778us	28.571us	26.413us
H DISPLAY	25.422us	25.422us	25.422us	21.164us	20.317us
H B-Porch	1.907us	1.907us	1.907us	3.175us	4.063us
H Width	3.813us	3.813us	3.813us	2.116us	0.270us
H Border	0.318us	0.318us	0.318us	0.000us	0.000us
V TOTAL	14.268ms	14.268ms	16.683ms	15.000ms	13.734ms
V DISPLAY	11.122ms	12.711ms	15.253ms	13.714ms	12.678ms
V B-Porch	1.907ms	1.112ms	1.049ms	1.114ms	0.528ms
Vs Width	0.064ms	0.064ms	0.064ms	0.086ms	0.079ms
V Border	0.191ms	0.222ms	0.254ms	0.000ms	0.000ms
H/V Sync	+/-	-/+	-/-	-/-	-/-
Interlace	No.	No.	No.	No.	No.

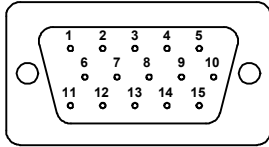
ITEM	6	7	8	9	10
TIMING	640×480@75 Hz	800×600@56 Hz	800×600@60 Hz	800×600@72 Hz	800×600@75 Hz
Pixel Rate	31.500MHz	36.000MHz	40.000MHz	50.000MHz	48.500MHz
H TOTAL	26.667us	28.444us	26.400us	20.800us	21.333us
H DISPLAY	20.317us	22.222us	20.000us	16.000us	16.162us
H B-Porch	3.810us	3.556us	2.200us	1.280us	3.232us
H Width	2.032us	2.000us	3.200us	2.400us	1.616us
H Border	0.000us	0.000us	0.000us	0.000us	0.000us
V TOTAL	13.334ms	17.778ms	16.579ms	13.853ms	13.333ms
V DISPLAY	12.800ms	17.066ms	15.840ms	12.480ms	12.800ms
V B-Porch	0.427ms	0.626ms	0.607ms	0.478ms	0.448ms
Vs Width	0.080ms	0.057ms	0.106ms	0.125ms	0.064ms
V Border	0.000ms	0.000ms	0.000ms	0.000ms	0.000ms
H/V Sync	-/-	+/+	+/+	+/+	+/+
Interlace	No.	No.	No.	No.	No.

ITEM	11	12	13	14	15
TIMING	832×624@74.5 Hz	1024×768@60 Hz	1024×768@70 Hz	1024×768@7 2Hz	1024×768@7 5Hz
Pixel Rate	57.280MHz	65.000MHz	75.000MHz	77.066MHz	78.750MHz
H TOTAL	20.112us	20.677us	17.707us	17.232us	16.660us
H DISPLAY	14.525us	15.754us	13.653us	13.287us	13.003us
H B-Porch	3.771us	2.462us	1.920us	1.869us	2.235us
H Width	1.118us	2.092us	1.813us	1.765us	1.219us
H Border	0.000us	0.000us	0.000us	0.000us	0.000us
V TOTAL	13.417ms	16.666ms	14.272ms	13.889ms	13.328ms
V DISPLAY	12.552ms	15.880ms	13.599ms	13.234ms	12.795ms
V B-Porch	0.784ms	0.600ms	0.513ms	0.500ms	0.466ms
Vs Width	0.060ms	0.124ms	0.106ms	0.103ms	0.050ms
V Border	0.00ms	0.000ms	0.000ms	0.000ms	0.000ms
H/V Sync	-/-	-/-	-/-	-/-	+/+
Interlace	No.	No.	No.	No.	No.

ITEM	16				
TIMING	1024×768@75 Hz				
Pixel Rate	80.0000MHz				
H TOTAL	16.600us				
H DISPLAY	12.800us				
H B-Porch	2.200us				
H Width	1.200us				
H Border	0.000us				
V TOTAL	13.346ms				
V DISPLAY	12.749ms				
V B-Porch	0.498ms				
Vs Width	0.050ms				
V Border	0.000ms				
H/V Sync	-/-				
Interlace	No.				

## 2.3. D-SUB CONNECTOR

### D-SUB 15 PIN CONNECTOR



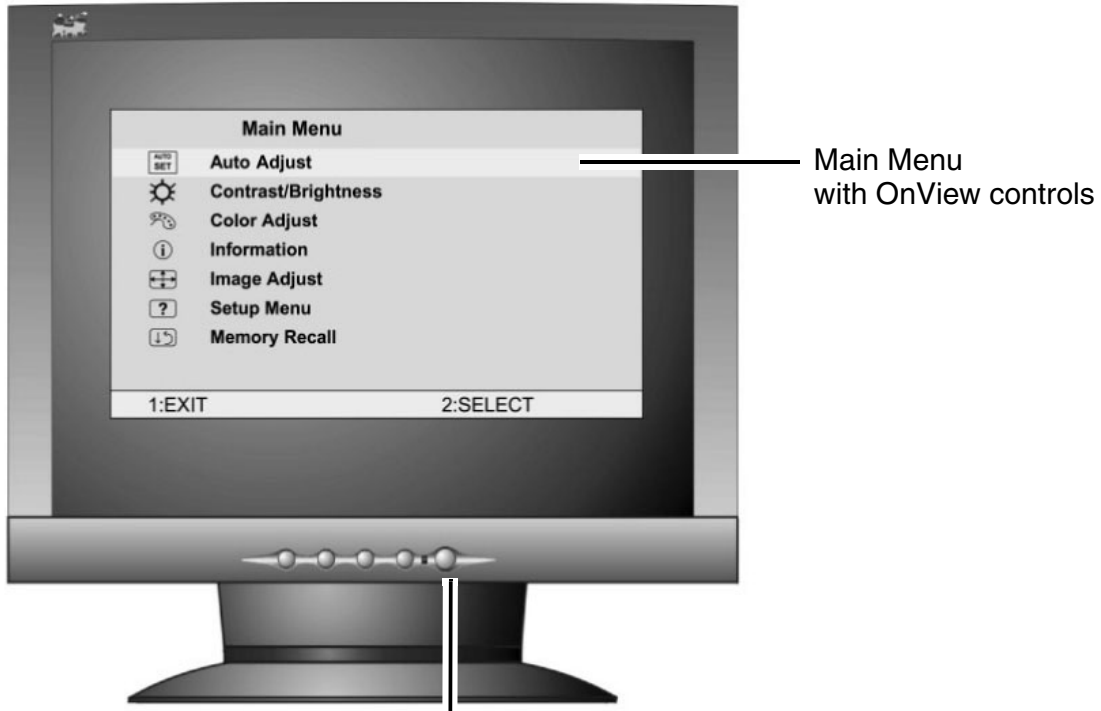
1.R	6.GND	11.NC
2.G	7.GND	12.SDA
3.B	8.GND	13.H.SYNC
4.NC	9. +5V	14.V.SYNC
5.GND	10.GND	15.SCL

### SIGNAL LEVEL

CONNECTOR	SIGNAL	DESCRIPTION
R	RED	0.7vp-p(VIDEO)
G	GREEN	0.7vp-p(VIDEO)
B	BLUE	0.7vp-p(VIDEO)
H	H/SYNC	TTL positive or negative
V	V/SYNC	TTL positive or negative
SDA	DDC1/2B	TTL
SCL	DDC1/2B	TTL



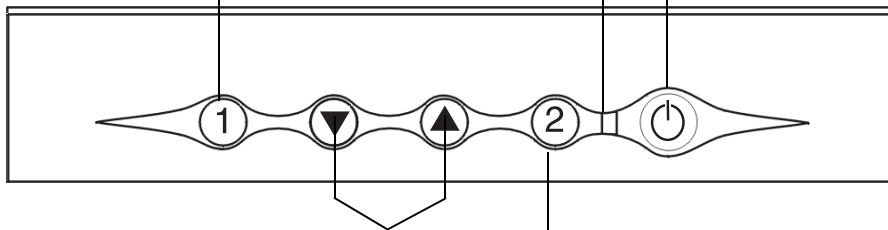
### 3. Front Panel Function Control Description



#### Front Control Panel

Displays, saves changes to, and exits the Main Menu.

Power light  
Power On/Off

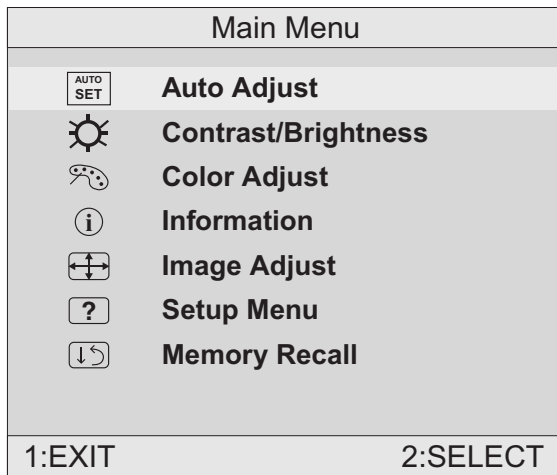


Scroll through menu options and adjust the displayed control.

Selects a highlighted control. Also, displays the control screen for the selected control and toggles between control pairs.

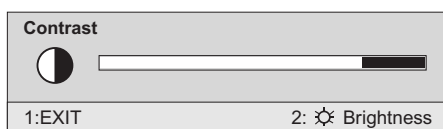
## Do the following to adjust the screen image:

- 1 To display the Main Menu, press button [1].



**NOTE:** All OSD menus and adjustment screens disappear automatically after about 15 seconds. This time period is adjustable through the Setup menu and the OSD timeout control described on page 11.

- 2 To highlight a control you want to adjust, press ▲ or ▼ to scroll up or down the Main Menu.
- 3 To select the highlighted control, press button [2]. A control screen appears like the example shown below.



The line at the bottom of the screen tells you what you can do next: Exit or Select the control that is highlighted.

- 4 To adjust the control, press the up ▲ or down ▼ buttons.
- 5 To save the adjustments and exit the menu, press button [1] *twice*.

## The following tips may help you optimize your display:

- Adjust your computer's graphic card so that it outputs a video signal 1024 x 768 @ 60 Hz to the LCD display. (Look for instructions on “changing the refresh rate” in your graphic card's user guide.)
- If necessary, make small adjustments using H. POSITION and V. POSITION until the screen image is completely visible. (The black border around the edge of the screen should barely touch the illuminated “active area” of the LCD display.)

# Main Menu Controls

Adjust the menu items shown below by using the up ▲ and down ▼ buttons.

## Control Explanation



**Auto Adjust** automatically sizes, centers, and fine tunes the video signal to eliminate waviness and distortion.

Press the [2] button to obtain a sharper image.

**NOTE:** Auto Adjust works with most common video cards. If this function does not work on your LCD display, then lower the video refresh rate to 60 Hz and set the resolution to its pre-set value.



**Contrast** adjusts the difference between the image background (black level) and the foreground (white level).



**Brightness** adjusts background black level of the screen image.



**Color Adjust** provides several color options: preset color temperatures and User which allows you to adjust red (R), green (G), and blue (B). The factory setting for this product is 6500K (6500 Kelvin).

Color Adjust	
9300K	
• 6500K	
User Color	
1:EXIT	2:SELECT

**9300K** — Adds blue to the screen image for cooler white (used in most office settings with fluorescent lighting).

**6500K** — Adds red to the screen image for warmer white and richer red. Default setting.

**User** — Individual adjustments for red, green, and blue.

- 1 To select color (R, G or B) press button [2].
- 2 To adjust selected color, press ▲ or ▼.
- 3 When you are finished making all color adjustments, press button [1] *twice*.

## Control Explanation







**Information** displays the timing mode (video signal input) coming from the graphics card in your computer. See your graphic card's user guide for instructions on changing the resolution and refresh rate (vertical frequency).

VESA 1024 x 768 @ 60 Hz (recommended) means that the resolution is 1024 x 768 and the refresh rate is 60 Hertz.

Information	
H. Frequency:	48.60 KHz
V. Frequency:	60.00 Hz
Pixel Clock:	65.00 MHz
Resolution:	1024 x 768
Model Number:	VLCD523585-2W
Serial No:	
	<a href="http://www.viewsonic.com">www.viewsonic.com</a>
1:EXIT	



### Image Adjust

Image Adjust	
	<b>H./V. Position</b>
	<b>H. Size</b>
	<b>Fine Tune</b>
	<b>Sharpness</b>
1:EXIT	
2:SELECT	

The Image Adjust controls are explained below:



**H./V. Position** adjusts horizontal and vertical position of the screen image. You can toggle between Horizontal and Vertical by pressing button [2]. Horizontal moves the screen image to the left or to the right. Vertical moves the screen image up and down.



**H. Size** (Horizontal Size) adjusts the width of the screen image.

**NOTE:** Vertical size is automatic with your LCD display.

## Control Explanation



**Fine Tune** sharpens focus by aligning the illuminated text and/or graphic characters.

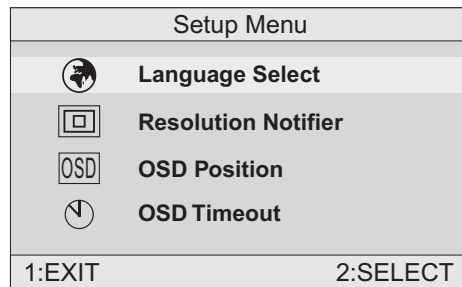
**NOTE:** Try the **Auto Adjust** (see page 9) before using the **Fine Tune** control.



**Sharpness** adjusts the clarity and focus of the screen image.



**Setup Menu** displays the menu shown below.



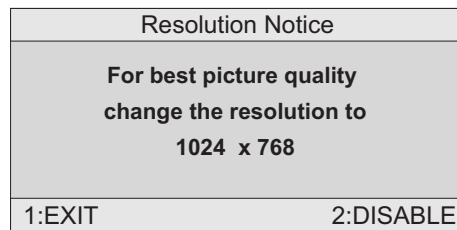
The Setup Menu controls are explained below.



**Language Select** allows you to choose the language used in the menus and control screens.



**Resolution Notice** advises the optimal resolution to use.



**OSD Position** allows you to move the on-screen display menus and control screens.



**OSD Timeout** sets the length of time an on-screen display screen is displayed. For example, with a “15 second” setting, if a control is not pushed within 15 seconds, the display screen disappears.

## Control Explanation

---



**Memory Recall** returns adjustments to the original factory settings if the display is operating in a factory Preset Timing Mode listed in this user guide.

## Short Cut Key

---

Function Key : 5 Key → **[1]** ▽ △ **[2]** ⏻

**[1]** : Show OSD Menu or Exit OSD Menu.

▽ : Select down or decrease.(-)

△ : Select up or increase(+).

**[2]** : Select Or Enter.

**[2]** : Auto adjust. (When No OSD)

⏻ : Power On/Off.

**[1]** + ▽ = Power key lock / unlock.

**[1]** + △ = OSD lock / unlock.

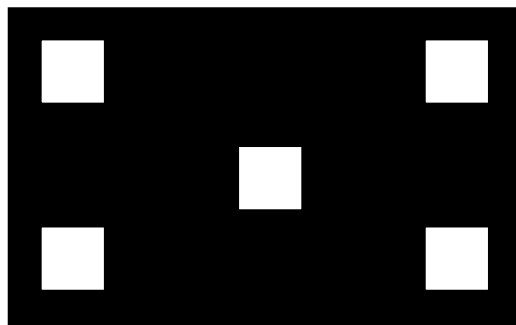
**[1]** + ▽ + △ = Auto White Balance.

(Remark: recommend to use 5-Disc full white pattern)

▽ + △ = Recall Contrast and Brightness. (Don't show OSD)

▽ + △ + No Signal = Enter Burn in mode

△ + **[2]** + ⏻ (Power On) = Enter Maintain mode.



5-Disc full white Patten

## 4. Circuit Description

### A. DC-DC CONVERTER

This block provides adjustable output voltages of 9.2V, -6V, 18V and 3 to 4V for the panel.

It consists of a Q114 transistor and power switch IC I108 (AIC 1526-1).

When DC\_EN signal is high, then Q114 is activated and sends one signal to activate I108.

At this time I108 will send 200KHz 12V PWM to Q106, Which is connected with L111, Q106, D203 and C308, to boost 5V to 9.2V. And I108 offers the adjustable voltage of 3V to 4V. By sending out pulses from pin 2 and pin 16 of I108 to double voltage circuit consisting of C301, D201, D202 and C303, linear regulator with Q105, would output -6V, 18V output is created, according to the rule of -6V creation.

### B. Scaling controller

MascotV scalar is a highly integrated solution that combines a high performance ADC with an advanced image processing controller. Using advanced image scaling algorithms, Mascot V has intelligently adaptive sub-algorithms that will automatically optimize the display quality for different images – the text is sharper and the graphics are smoother. The built-in analog interface includes a 160Mhz, 8-bit 3-channel ADC, preamplifier, and VGA, allowing seamless support to resolutions from VGA to XGA. MascotV also offers other integrated functions such as an internal OSD that supports all languages, and built-in line buffers that allow support for a wide range of LCD panels.

The scalar implements four advanced display technologies:

1. Sampling RGB input signals by fully integrated triple-channel ADC, PLL, and pre-amplifier
2. Automatically calibrate for vertical and horizontal alignment to center display and phase calibration
3. High-quality advanced scaling: Enhanced and adaptive scaling algorithm for optimal image quality
4. One and two pixels per clock panel support: Up to 24 bits per pixel.

The panel interface consists of 48-bit panel data bus, Start Pulse(STH1) and Clock (CLKH), Polarity(POL)/Latch pulse(LP) for source driver IC, Start pulse(STV1) and Clock(CLKV) for gate driver IC, and Data inversion control(HMSO/HMSE) for odd/even pixel bus and the power supply

(+3.2V, +3.45V<adjustable>, +9.2V, +18V and -6V) for panel driver IC use.

### C. Inverter

In order to drive the CCFLs embedded in the panel module, there is a ROYER inverter to convert the input 12Vdc up to more than 600Vac.

The inverter is formed by symmetric outputs, in order to drive the separate lamp modules.

The input stage consists of a PWM controller, buck choke, and switching MOSFET to convert DC input into AC output.

The output stage consists of a tuning capacitor, transformer, push-pull transistor pair and one resistor is serial to lamp for output current feedback.

A 5-pin connector is the only interface to control the inverter. Pin 1 is 12V input, Pin 2/4 are the returns, pin3 is the control of output current, and pin 5 is the enable/disable control.

## 5. Adjusting Procedure

### 5.1. ADJUSTMENT CONDITIONS AND PRECAUTIONS

1. Approximately 30 minutes should be allowed for warm up before proceeding.
2. Adjustments should be undertaken only on those necessary elements since most of them have been carefully preset at the factory.
3. ESD protection is needed before adjustment.

### 5.2. MAIN ADJUSTMENTS

NO.	FUNCTION	DESIGNATION
1.	V-com Voltage	R124 (VCOM ADJ)
2.	Eeprom Initial	Function Key
3.	White Balance	Function Key
4.	Geometry	Function Key

### 5.3. ALIGNMENT PROCEDURES

#### Adjustment Conditions and Precautions:

- (A). Power supply voltage:  
AC 110/120V $\pm$  10% 60 Hz $\pm$  5%, AC 220/240V $\pm$  10% 50 Hz  $\pm$  5%.
- (B). Warm up time:  
The display must be power ON for at least 30 minutes at full white pattern before starting alignments.  
This is especially critical in color temperature and white balance adjustments.
- (C). Signals: reference the front detail specifications and timing table.  
Video : reference the front detail specifications.

#### 1. Adjustment of V-com Voltage:

- A. Timing : 1024x768@60Hz.
- B. Pattern : The picture of “ Windows Shut-Down ” or Full screen pixel ON/OFF pattern.
- C. Adjust R124 to make the center of the screen stable.

#### 2. Eeprom Initial:

- A. Timing : 1024x768@60Hz.
- B. Pattern : Cross hatch.
- C. Switch off the power and press the “▲” and “2” key simultaneously, while switching on the power. At this time the display will enter into the factory mode after pressing the “1”key.
- D. Select the “EEPROM INIT” item and press “2”key to reset the Eeprom.

#### 3. White Balance Adjustment :

- A. Timing : 1024x768@60Hz.
- B. Pattern : Full white.



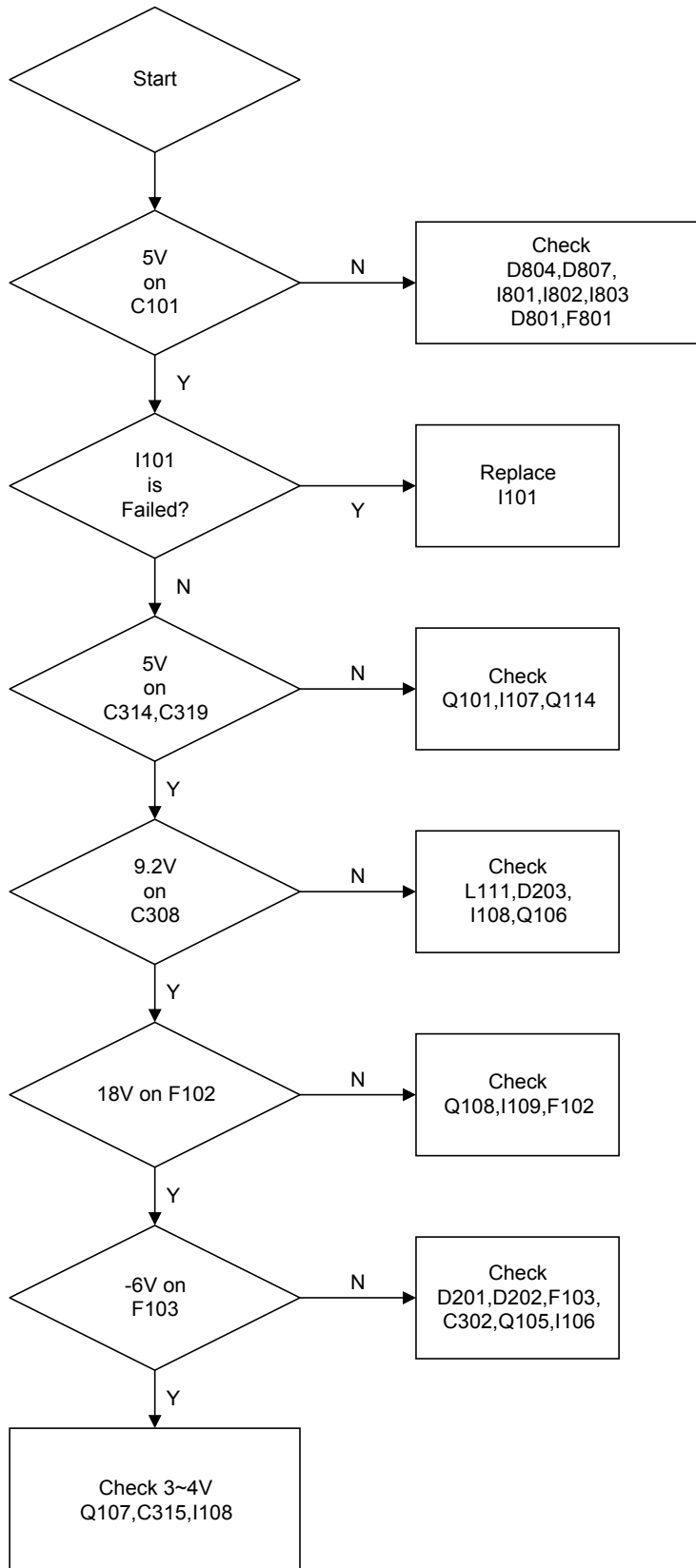
- C. Set CA210 color analyzer at the center of screen.
- D. Move “▼” key to select the “ WHITE BALANCE” item in the factory mode and press “2” key, then the white balance will be auto adjusted.
- E. Color temperature verification: (Set Brightness and Contrast to Maximum)
  - (1) 6500K verify : press “▼”, “▲” key to move cursor to 6500K at factory mode and press “ 2 ” key, and then check the color temperature is
    - $x=0.310 \pm 0.03$
    - $y=0.330 \pm 0.03$
    - $Y \geq 200 \text{ cd/m}^2$
  - (2) 9300K verify : press “▼”, “▲” key to move cursor to 9300K at factory mode and press “ 2 ” key, and then check the color temperature is
    - $x=0.283 \pm 0.03$
    - $y=0.298 \pm 0.03$

#### 4. Geometry:

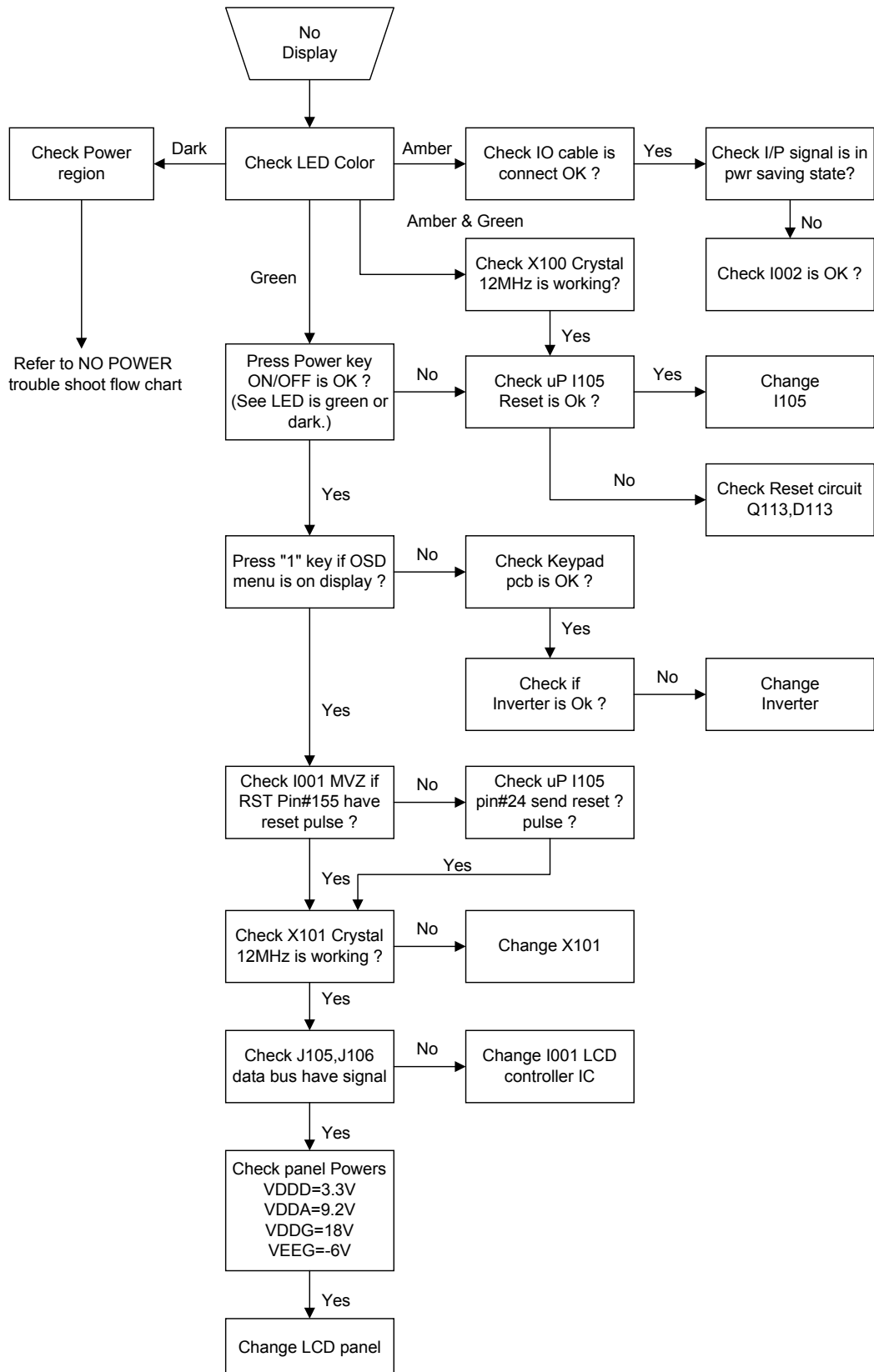
- A. Pattern : Cross hatch
- B. Change each mode on the timing table in turns and execute the “Auto Adjust “ function on the OSD menu , then all the data of each mode will be auto saved.
- C. Until all of modes are adjusted, press “1” “ to exit OSD menu and switch power off to exit factory mode.

## 6. TROUBLE SHOOTING FLOW CHART

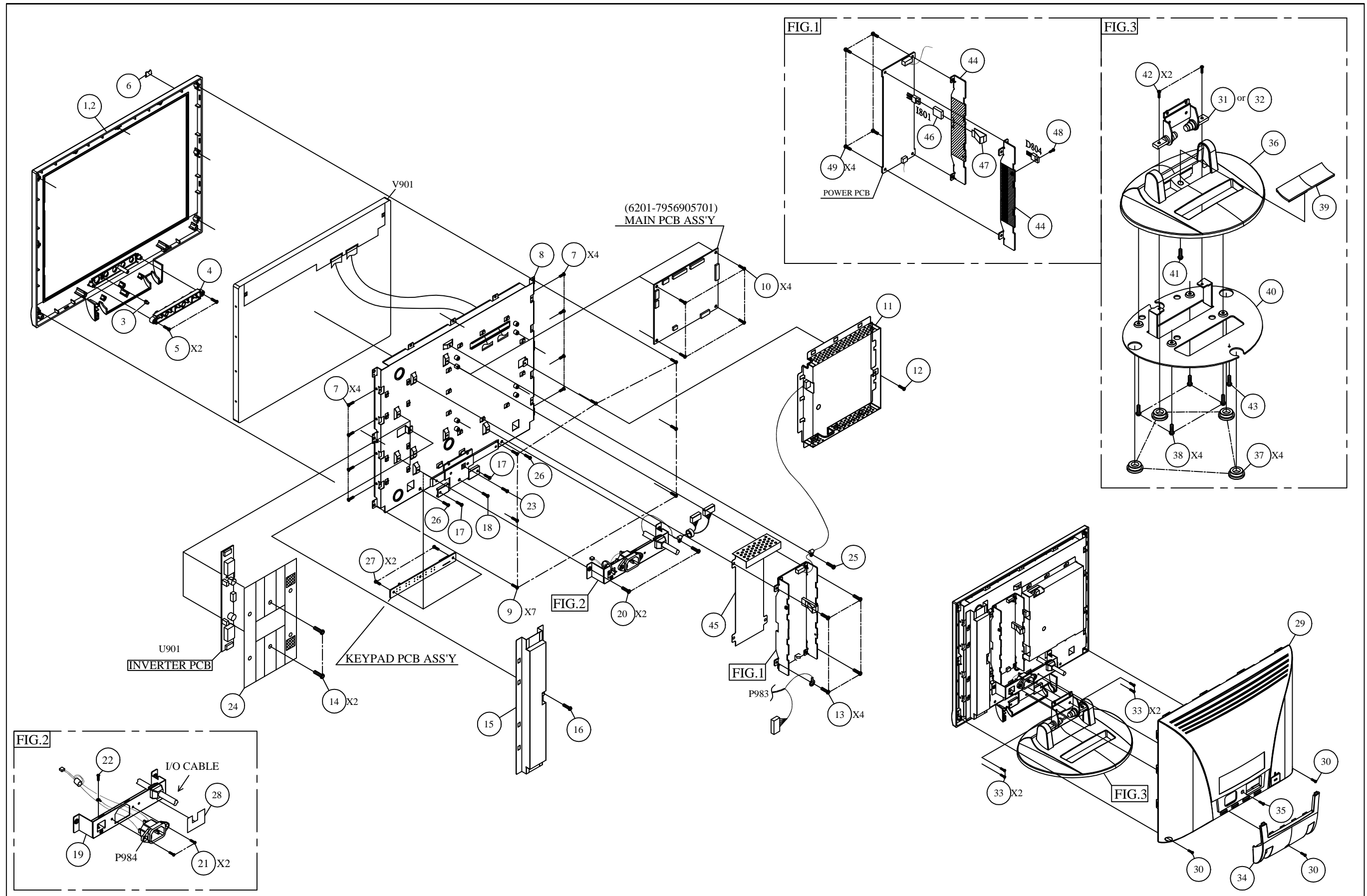
### 6.1. NO POWER



## 6.2. NO DISPLAY



# 7. Exploded Diagram



## 8. Exploded Parts List

### VE155S/VE500-2

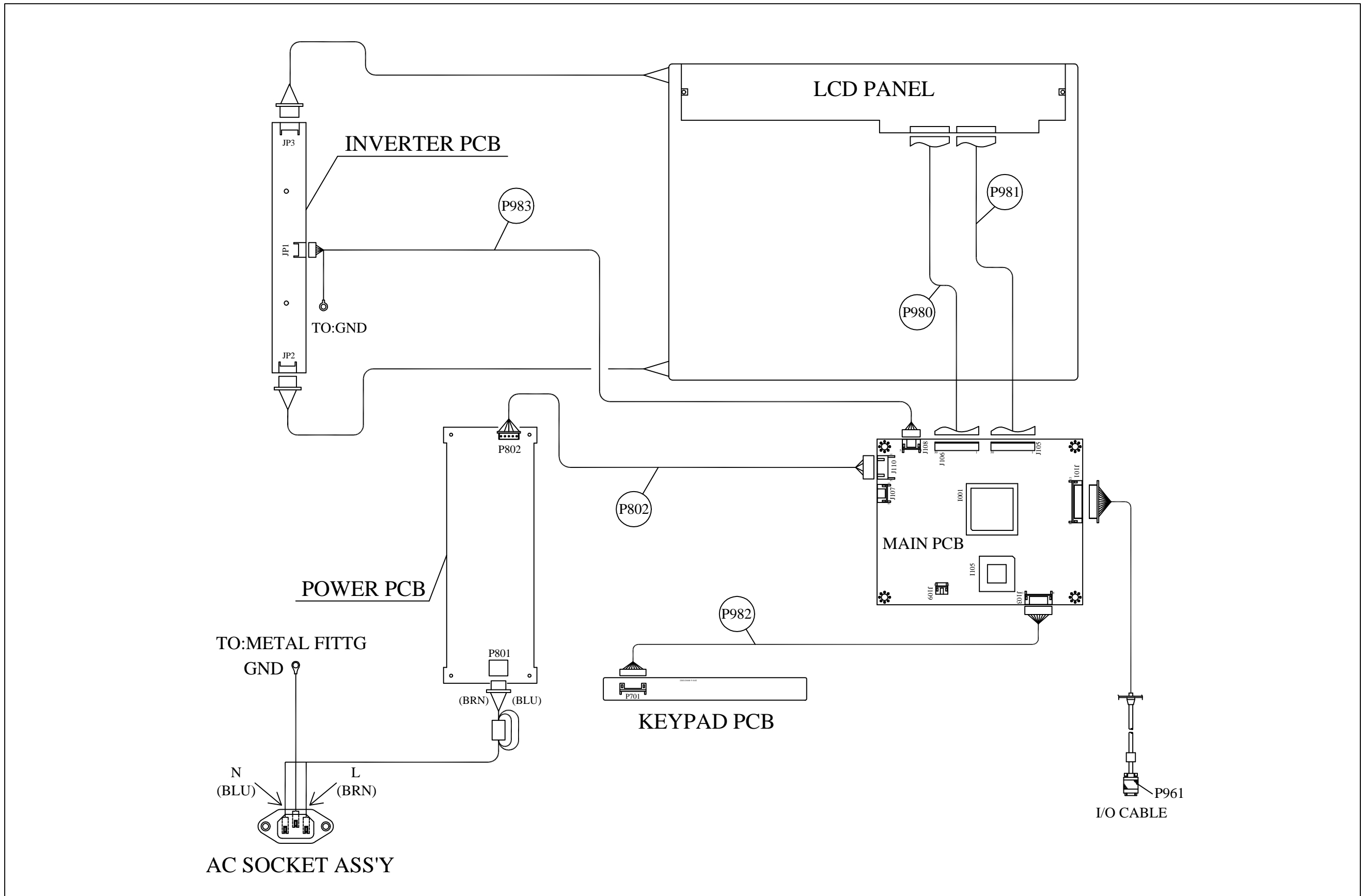
Item	ViewSonic P/N	Ref. P/N.	Description	Specification	Location	Q'ty	Remark
1	C-FP-0301-0376	2024262106	FRONT BEZEL	VE155S/ABS+PC SILVER	1F01	1	VE155S
2		2024262107	FRONT BEZEL	VE500-2/ABS+PC SILVER	1F01	1	VE500-2
3	M-MS-0808-8180	2053751901	LED INDIC.-PWR	VE150-2/PMMA 94HB	1F02	1	
4	PL-FK-0709-0128	2044260902	FUNCTION KEY	VA520-2/ABS 94V0 SILVER	1F03	1	
5	M-SCW-0824-0285	2084730082	SCREW,BND T+	M3X8(BND T+)	1F04	2	
6	M-MS-0808-4026	2051350200	NAME PLATE	JD144V3 VIEWSONIC 3BIRDS AL	1F05	1	
7		2080002200	SCREW,SPE	L355 M3x6 DH NICKEL-PLATED	1F09	8	
8		2071964100	METAL FITTG	VE155/CPT MRT14 SECC T=0.8	1F10	1	
9	M-SCW-0824-0285	2084730082	SCREW,BND T+	M3X8(BND T+)	1F11	7	
10	M-SCW-0824-0437	2082730062	SCREW,BND+	M3X6(BND+)	1F12	4	
11		2071664200	SHIELD PLATE	JT166L14/SPT 0.3t MAIN BOARD	1F13	1	
12		2082630062	SCREW	M3X6 P=0.5	1F14	1	
13		2081430062	SCREW,(WASH)	M3X6 P=0.5(TOOTH WASHER)	1F15	4	
14		2082630062	SCREW	M3X6 P=0.5	1F16	2	
15		2071659501	SHIELD PLATE	SPT 0.3mm	1F17	1	
16		2082630062	SCREW	M3X6 P=0.5	1F18	1	
17	M-SCW-0824-0285	2084730082	SCREW,BND T+	M3X8(BND T+)	1F19	2	
18		2084740082	SCREW,BND T+	M4X8(BND T+)	1F20	1	
19		2071960200	METAL FITTG	L355 SECC t=0.8	1F21	1	
20		2081430082	SCREW,(WASH)	M3X8 P=0.5(TOOTH,WASHER)	1F22	2	
21		2080002300	SCREW,SPE	L355 M3*8 DH NICKEL-PLATED	1F23	2	
22	M-SCW-0824-0493	2085740082	SCREW,B OTW+	SCREW B OTW+ M4X8	1F24	1	
23	M-SCW-0824-0261	2084730142	SCREW,BND T+	M3X14(BND T+)	1F25	1	
24	M-MS-0808-5476	2072450100	INSULATOR	JT166E PC 185LX25.3WX14.6HX.2t	1F26	1	
25		2081430062	SCREW,(WASH)	M3X6 P=0.5(TOOTH WASHER)	1F27	1	
26	M-SCW-0824-0123	2084740102	SCREW,BND T+	M4X10(BND T+)	1F29	2	
27	M-SCW-0824-0437	2082730062	SCREW,BND+	M3X6(BND+)	1F30	2	
28		2063451102	ADHESI SHEET	27.2x42.4 PVC COLOR:BLACK	1F31	1	
29	C-BC-0302-0388	2022258804	CABI BACK	PC+ABS 94V0 BLACK 4001+SILVER	2C01	1	
30		2084740104	SCREW,BND T+	M4X10(BND T+) (BLK)	2C02	3	
31		2106652901	HINGE	VE155 0'~90'	2C20	1	
32		2106652902	HINGE	VE155/0'~90' (2nd source for item 31)	2C20	1	
33	M-SCW-0824-0493	2085740082	SCREW,B OTW+	SCREW B OTW+ M4X8	2C21	4	
34	M-CV-0830-2466	2027255103	DUST COVER	VA520-2/ASB 94HB BLACK 4001	2C24	1	
35		2084730084	SCREW,BND T+	M3X8(BND T+) (BLK)	2C25	1	
36	PL-PS-0715-0188	2028254603	STAND	VA520-2/ABS 94HB BLACK 4001	5B01	1	
37	PL-PD-0714-0069	2039802303	FOOT PAD	VA520 CR420xφ16.5x5.8 BLACK	5B02	4	
38	M-SCW-0824-0123	2084740102	SCREW,BND T+	M4X10(BND T+)	5B03	4	
39	M-CV-0830-2465	2027255003	DUST COVER	VA520(2)/ABS 94HB BLACK 4001	5B04	1	
40		2071960702	METAL FITTG	VE155 STAND SECC t=2mm	5B06	1	
41	M-SCW-0824-0285	2084730082	SCREW,BND T+	M3X8(BND T+)	5B07	1	
42		2087340126	SCREW,B SPW+	4X12(+)/SWRM-3 ZMC2-C	5B08	2	
43		2080002400	SCREW,SPE	VE155/3x8 STAND	5B09	1	
44		2072258100	HEAT SINK	AL-6063S t=1.5mm	9H01	2	
45		2072452900	INSULATOR	VE155/MYLAR t=0.2 PC ABS 94V0	9R02	1	
46		2429150100	TUBE,SILICON	JT156D2 TO-220ST 0.4mm	9R81	1	
47		2105250700	SPRING PLATE	SUS 301	9S01	1	
48	M-SCW-0824-0285	2084730082	SCREW,BND T+	M3X8(BND T+)	9S02	1	
49	M-SCW-0824-0285	2084730082	SCREW,BND T+	M3X8(BND T+)	9S03	4	

# VE155/VE155b

Item	ViewSonic P/N	Ref. P/N	Description	Specification	Location	Q'TY	Remark
1	C-FP-0301-0931	2024262102	FRONT BEZEL	VE150-2/ABS+PC GY7521	1F01	1	VE155
	C-FP-0301-0842	2024262103	FRONT BEZEL	VE155B/ABS+PC MIDNIGHT GRAY	1F01	1	VE155b
3	M-MS-0808-8922	2053751901	LED INDIC.-PWR	VE150-2/PMMA 94HB	1F02	1	
4	PL-FK0707-0137	2044260901	FUNCTION KEY	VE150-2/ABS 94V0 GY7521	1F03	1	VE155
	PL-FK0709-0147	2044260904	FUNCTION KEY	ABS 94V0 MIDNIGHT GRAY	1F03	1	VE155b
5	M-SCW-0824-0285	2084730082	SCREW,BND T+	M3X8(BND T+)	1F04	2	
6	M-MS-0808-4026	2051350200	NAME PLATE	JD144V3 VIEWSONIC 3BIRDS AL	1F05	1	
7	M-SCW-0824-6715	2080002200	SCREW,SPE	L355 M3x6 DH NICKEL-PLATED	1F09	8	
8	M-BK-0805-0013	2071964100	METAL FITTG	VE155/CPT MRT14 SECC T=0.8	1F10	1	
9	M-SCW-0824-0285	2084730082	SCREW,BND T+	M3X8(BND T+)	1F11	7	
10	M-SCW-0824-0437	2082730062	SCREW,BND+	M3X6(BND+)	1F12	4	
11	M-MS-0808-8915	2071664200	SHIELD PLATE	JT166L14/SPTe 0.3t MAIN BOARD	1F13	1	
12	M-SCW-0824-6719	2082630062	SCREW	M3X6 P=0.5	1F14	1	
13	M-SCW-0824-6717	2081430062	SCREW,(WASH)	M3X6 P=0.5(TOOTH WASHER)	1F15	4	
14	M-SCW-0824-6719	2082630062	SCREW	M3X6 P=0.5	1F16	2	
15	M-MS-0808-8916	2071659501	SHIELD PLATE	SPTe t=0.3mm	1F17	1	
16	M-SCW-0824-6719	2082630062	SCREW	M3X6 P=0.5	1F18	1	
17	M-SCW-0824-0285	2084730082	SCREW,BND T+	M3X8(BND T+)	1F19	2	
18	M-SCW-0824-6721	2084740082	SCREW,BND T+	M4X8(BND T+)	1F20	1	
19	M-BK-0805-0014	2071960200	METAL FITTG	L355 SECC t=0.8	1F21	1	
20	M-SCW-0824-6718	2081430082	SCREW,(WASH)	M3X8 P=0.5(TOOTH,WASHER)	1F22	2	
21	M-SCW-0824-6744	2080002300	SCREW,SPE	L355 M3*8 DH NICKEL-PLATED	1F23	2	
22	M-SCW-0824-0493	2085740082	SCREW,B OTW+	SCREW B OTW+ M4X8	1F24	1	
23	M-SCW-0824-0261	2084730142	SCREW,BND T+	M3X14(BND T+)	1F25	1	
24	M-MS-0808-5476	2072450100	INSULATOR	JT166E PC 185LX25.3WX14.6HX.2t	1F26	1	
25	M-SCW-0824-6717	2081430062	SCREW,(WASH)	M3X6 P=0.5(TOOTH WASHER)	1F27	1	
26	M-SCW-0824-0123	2084740102	SCREW,BND T+	M4X10(BND T+)	1F29	2	
27	M-SCW-0824-0437	2082730062	SCREW,BND+	M3X6(BND+)	1F30	2	
28	M-MS-0808-8921	2063451104	ADHESI SHEET	27.2X42.4 PVC 0.5t GY7521	1F31	1	VE155
	M-MS-0808-9096	2063451102	ADHESI SHEET	27.2x42.4 PVC COLOR:BLACK	1F31	1	VE155b
29	C-BC-0302-0452	2022258802	CABI BACK	VE155/ABS+PC GY7521	2C01	1	VE155
	C-BC-0302-0387	2022258805	CABI BACK	PC+ABS 94V0 MIDNIGHT GRAY	2C01	1	VE155b
30	M-SCW-0824-0123	2084740102	SCREW,BND T+	M4X10(BND T+)	2C02	3	VE155
	M-SCW-0824-6792	2084740104	SCREW,BND T+	M4X10(BND T+) (BLK)	2C02	3	VE155b
31	M-MS-0808-0022	2106652901	HINGE	VE155 0'~90'	2C20	1	
32	M-MS-0808-0024	2106652902	HINGE	VE155/0'~90' (2nd source for item 31)	2C20	1	
33	M-SCW-0824-0493	2085740082	SCREW,B OTW+	SCREW B OTW+ M4X8	2C21	4	
34	M-MS-0808-8922	2027255101	DUST COVER	VE155/BACK ABS 94HB GY7521	2C24	1	VE155
	M-MS-0808-8923	2027255102	DUST COVER	ABS 94HB MIDNIGHT GRAY	2C24	1	VE155b
35	M-SCW-0824-0285	2084730082	SCREW,BND T+	M3X8(BND T+)	2C25	1	
36	PL-PS-0715-0202	2028254601	STAND	VE150-2/ABS 94HB GY7521	5B01	1	VE155
	PL-PS-0715-0203	2028254602	STAND	ABS 94HB MIDNIGHT GRAY	5B01	1	VE155b
37	PL-PD-0714-0058	2039802301	FOOT PAD	CR 420x φ 16.5x5.8	5B02	4	
38	M-SCW-0824-6745	2084740104	SCREW,BND T+	M4X10(BND T+) (BLK)	5B03	4	
39	M-MS-0808-8924	2027255001	DUST COVER	VE155/ABS 94HB GY7521	5B04	1	VE155
	M-CV-0830-0022	2027255002	DUST COVER	ABS 94HB MIDNIGHT GRAY	5B04	1	VE155b
40	M-BK-0805-0015	2071960702	METAL FITTG	VE155 STAND SECC t=2mm	5B06	1	
41	M-SCW-0824-0285	2084730082	SCREW,BND T+	M3X8(BND T+)	5B07	1	
42	M-SCW-0824-6746	2087340126	SCREW,B SPW+	4X12(+)/SWRM-3 ZMC2-C	5B08	2	
43	M-SCW-0824-6716	2080002400	SCREW,SPE	VE155/3x8 STAND	5B09	1	
44	M-MS-0808-8917	2072258100	HEAT SINK	AL-6063S t=1.5mm	9H01	2	
45	M-MS-0808-8918	2072452900	INSULATOR	VE155/MYLAR t=0.2 PC ABS 94V0	9R02	1	
46	M-MS-0808-8919	2429150100	TUBE,SILICON	JT156D2 TO-220ST 0.4mm	9R81	1	
47	M-MS-0808-8920	2105250700	SPRING PLATE	SUS 301	9S01	1	
48	M-SCW-0824-0285	2084730082	SCREW,BND T+	M3X8(BND T+)	9S02	1	
49	M-SCW-0824-0285	2084730082	SCREW,BND T+	M3X8(BND T+)	9S03	4	

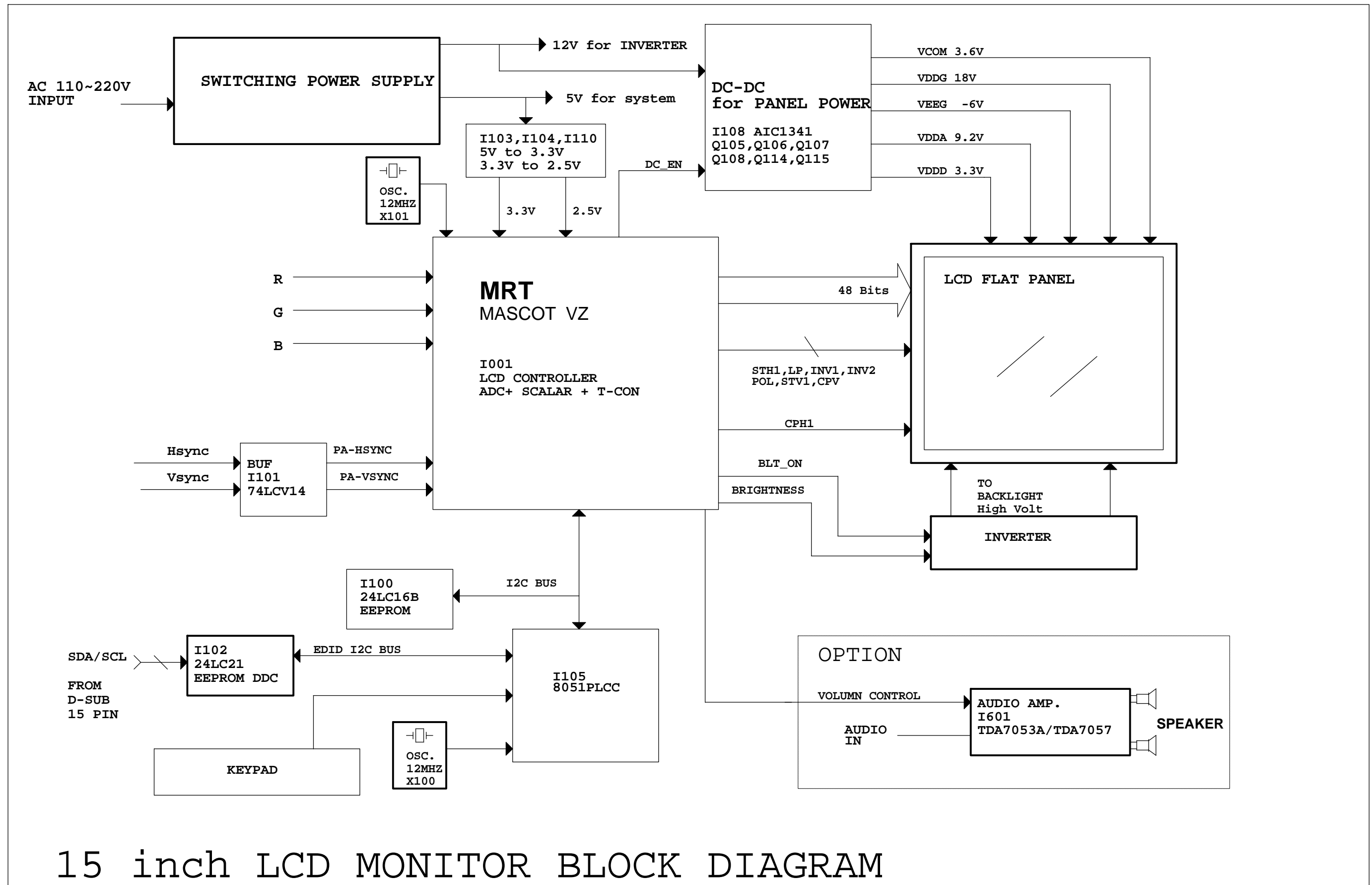
**VA520-2**

Item	ViewSonic P/N	Ref. P/N	Description	Specification	Location	Q'TY
1	C-FP-0301-0104	2024262104	FRONT BEZEL	VA520(2)ABS+PC SILVER	1F01	1
3	M-MS-0808-8180	2053751901	LED INDIC.-PWR	VE150-2/PMMA 94HB	1F02	1
4	PL-FK-0709-0128	2044260902	FUNCTION KEY	VA520-2/ABS 94V0 SILVER	1F03	1
5	M-SCW-0824-0285	2084730082	SCREW,BND T+	M3X8(BND T+)	1F04	2
6	M-MS-0808-4026	2051350200	NAME PLATE	JD144V3 VIEWSONIC 3BIRDS AL	1F05	1
7	M-SCW-0824-6715	2080002200	SCREW,SPE	L355 M3x6 DH NICKEL-PLATED	1F09	8
8	M-BK-0805-0013	2071964100	METAL FITTG	VE155/CPT MRT14 SECC T=0.8	1F10	1
9	M-SCW-0824-0285	2084730082	SCREW,BND T+	M3X8(BND T+)	1F11	7
10	M-SCW-0824-0437	2082730062	SCREW,BND+	M3X6(BND+)	1F12	4
11	M-MS-0808-8915	2071664200	SHIELD PLATE	JT166L14/SPTE 0.3t MAIN BOARD	1F13	1
12	M-SCW-0824-6719	2082630062	SCREW	M3X6 P=0.5	1F14	1
13	M-SCW-0824-6717	2081430062	SCREW,(WASH)	M3X6 P=0.5(TOOTH WASHER)	1F15	4
14	M-SCW-0824-6719	2082630062	SCREW	M3X6 P=0.5	1F16	2
15	M-MS-0808-8916	2071659501	SHIELD PLATE	SPTE t=0.3mm	1F17	1
16	M-SCW-0824-6719	2082630062	SCREW	M3X6 P=0.5	1F18	1
17	M-SCW-0824-0285	2084730082	SCREW,BND T+	M3X8(BND T+)	1F19	2
18	M-SCW-0824-6721	2084740082	SCREW,BND T+	M4X8(BND T+)	1F20	1
19	M-BK-0805-0014	2071960200	METAL FITTG	L355 SECC t=0.8	1F21	1
20	M-SCW-0824-6718	2081430082	SCREW,(WASH)	M3X8 P=0.5(TOOTH,WASHER)	1F22	2
21	M-SCW-0824-6744	2080002300	SCREW,SPE	L355 M3*8 DH NICKEL-PLATED	1F23	2
22	M-SCW-0824-0493	2085740082	SCREW,B OTW+	SCREW B OTW+ M4X8	1F24	1
23	M-SCW-0824-6747	2085730102	SCREW,B OTW+	M3x10 SCREW B OTW+	1F25	1
24	M-MS-0808-5476	2072450100	INSULATOR	JT166E PC 185LX25.3WX14.6HX.2t	1F26	1
25	M-SCW-0824-6717	2081430062	SCREW,(WASH)	M3X6 P=0.5(TOOTH WASHER)	1F27	1
26	M-SCW-0824-0123	2084740102	SCREW,BND T+	M4X10(BND T+)	1F29	2
27	M-SCW-0824-0437	2082730062	SCREW,BND+	M3X6(BND+)	1F30	2
28	M-MS-0808-1664	2063451102	ADHESI SHEET	27.2x42.4 PVC COLOR:BLACK	1F31	1
29	C-BC-0302-0388	2022258804	CABI BACK	PC+ABS 94V0 BLACK 4001+SILVER	2C01	1
30	M-SCW-0824-6745	2084740104	SCREW,BND T+	M4X10(BND T+) (BLK)	2C02	3
31	M-MS-0808-0022	2106652901	HINGE	VE155 0'~90'	2C20	1
32	M-MS-0808-0024	2106652902	HINGE	VE155/0'~90' (2nd source for item 31)	2C20	1
33	M-SCW-0824-0493	2085740082	SCREW,B OTW+	SCREW B OTW+ M4X8	2C21	4
34	M-CV-0830-2466	2027255103	DUST COVER	VA520-2/ASB 94HB BLACK 4001	2C24	1
35	M-SCW-0824-0416	2084730084	SCREW,BND T+	M3X8(BND T+) (BLK)	2C25	1
36	PL-PS-0715-0188	2028254603	STAND	VA520-2/ABS 94HB BLACK 4001	5B01	1
37	PL-PD-0714-0069	2039802303	FOOT PAD	VA520 CR420x φ 16.5x5.8 BLACK	5B02	4
38	M-SCW-0824-0123	2084740102	SCREW,BND T+	M4X10(BND T+)	5B03	4
39	M-CV-0830-2465	2027255003	DUST COVER	VA520(2)/ABS 94HB BLACK 4001	5B04	1
40	M-BK-0805-0015	2071960702	METAL FITTG	VE155 STAND SECC t=2mm	5B06	1
41	M-SCW-0824-0285	2084730082	SCREW,BND T+	M3X8(BND T+)	5B07	1
42	M-SCW-0824-6746	2087340126	SCREW,B SPW+	4X12(+ )SWRM-3 ZMC2-C	5B08	2
43	M-SCW-0824-6716	2080002400	SCREW,SPE	VE155/3x8 STAND	5B09	1
44	M-MS-0808-8917	2072258100	HEAT SINK	AL-6063S t=1.5mm	9H01	2
45	M-MS-0808-8918	2072452900	INSULATOR	VE155/MYLAR t=0.2 PC ABS 94V0	9R02	1
46	M-MS-0808-8919	2429150100	TUBE,SILICON	JT156D2 TO-220ST 0.4mm	9R81	1
47	M-MS-0808-8920	2105250700	SPRING PLATE	SUS 301	9S01	1
48	M-SCW-0824-0285	2084730082	SCREW,BND T+	M3X8(BND T+)	9S02	1
49	M-SCW-0824-0285	2084730082	SCREW,BND T+	M3X8(BND T+)	9S03	4





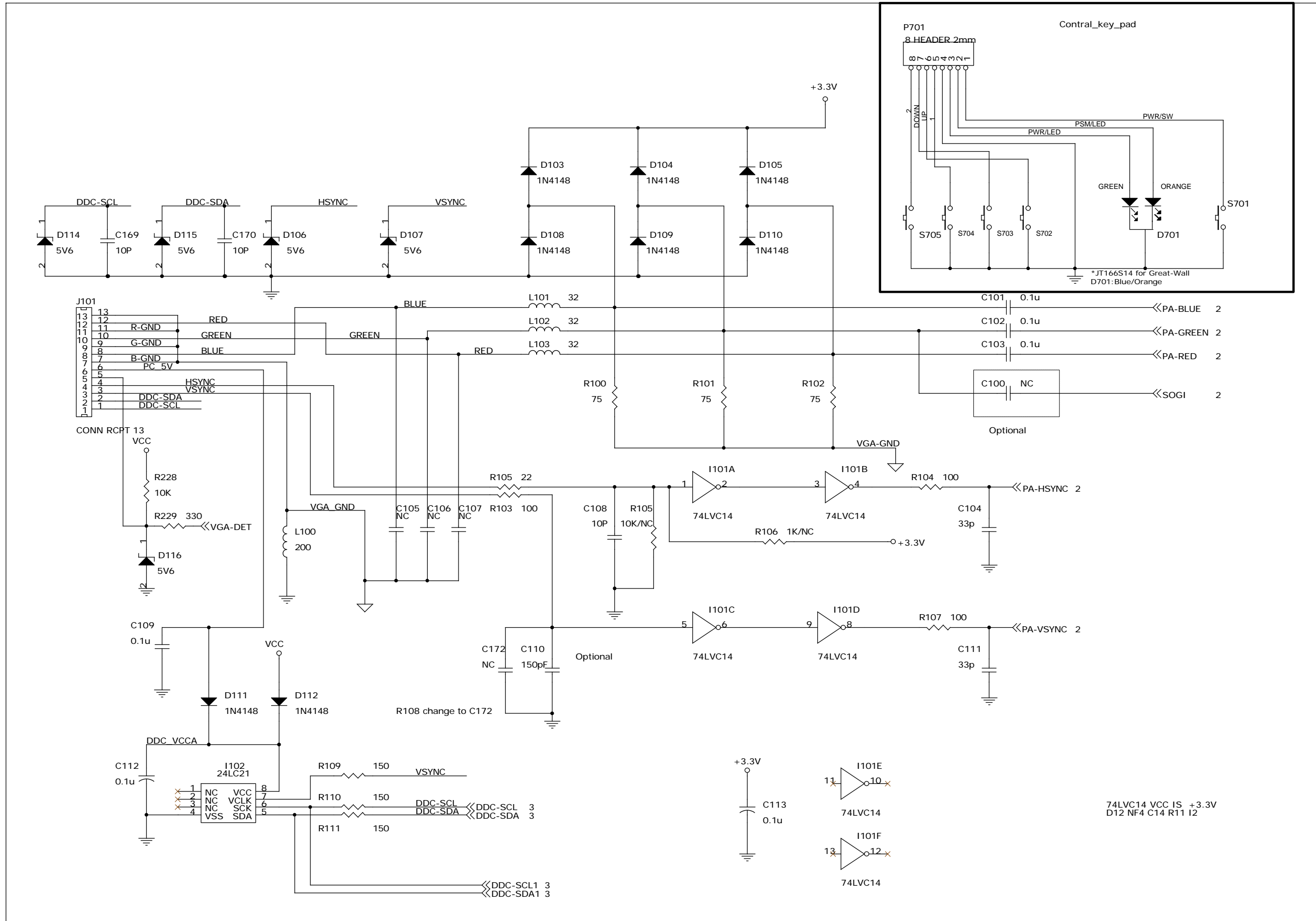
## 9. Block Diagram



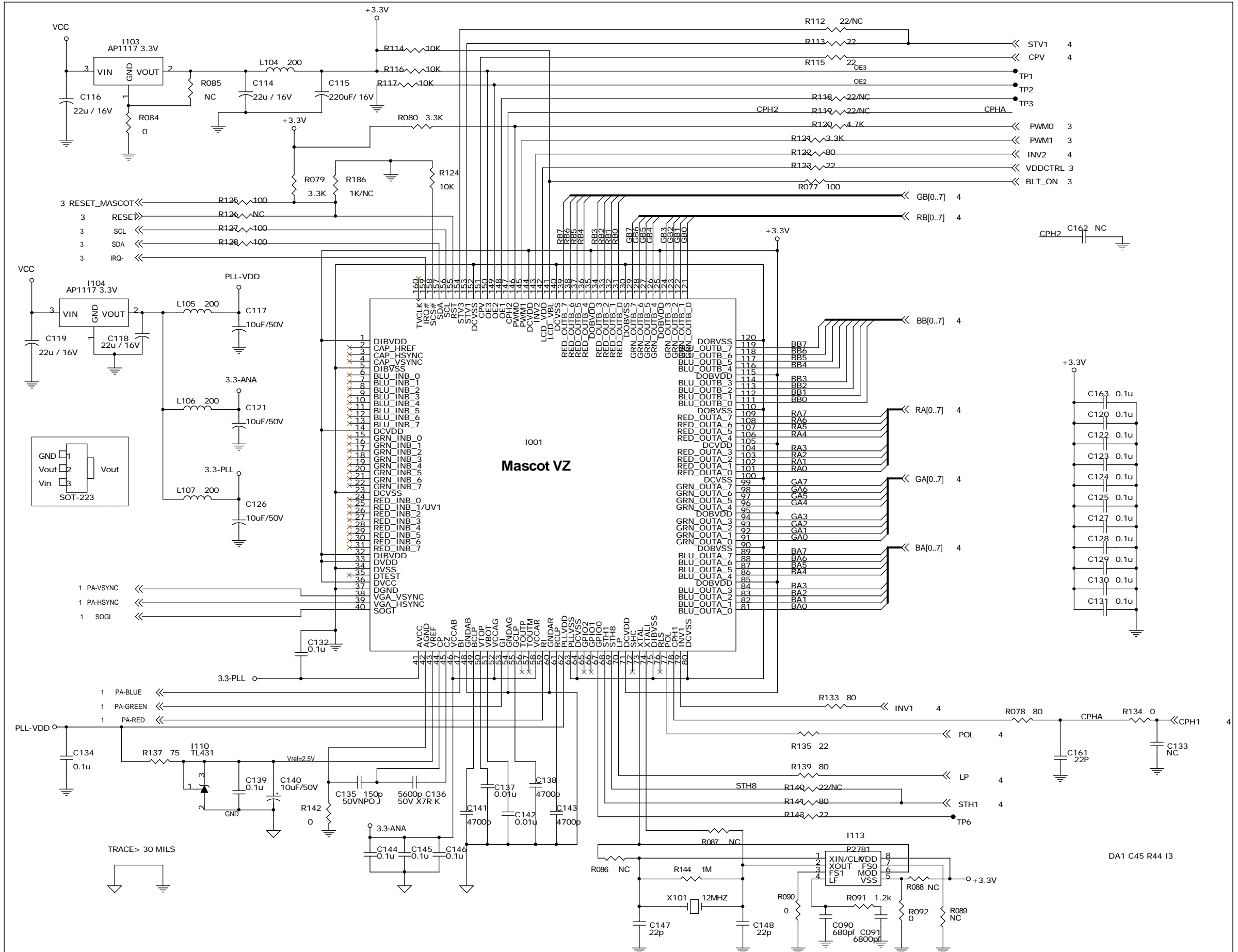
15 inch LCD MONITOR BLOCK DIAGRAM

# 10. Schematic Diagrams

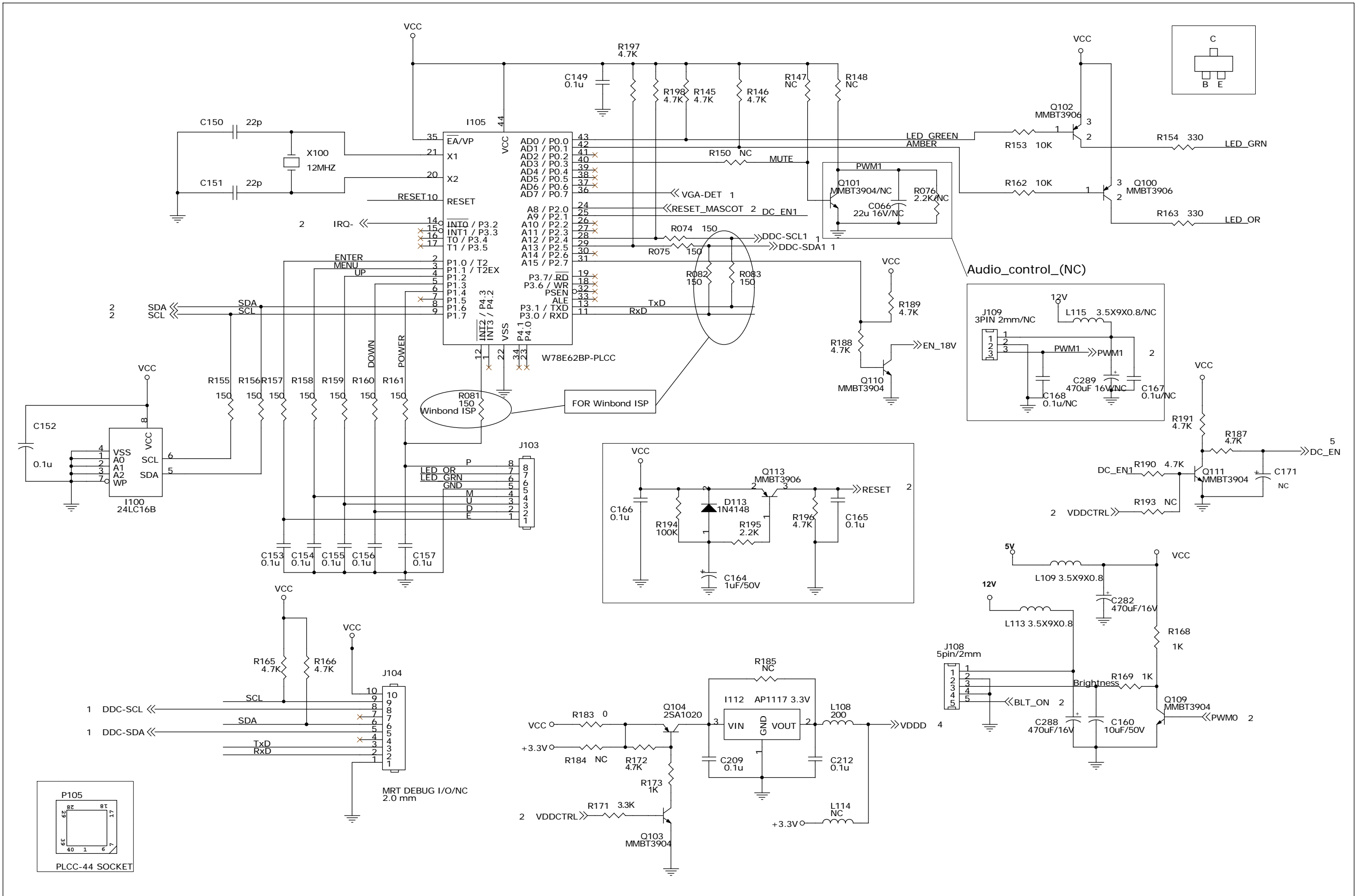
## 10.1. VGA INPUT



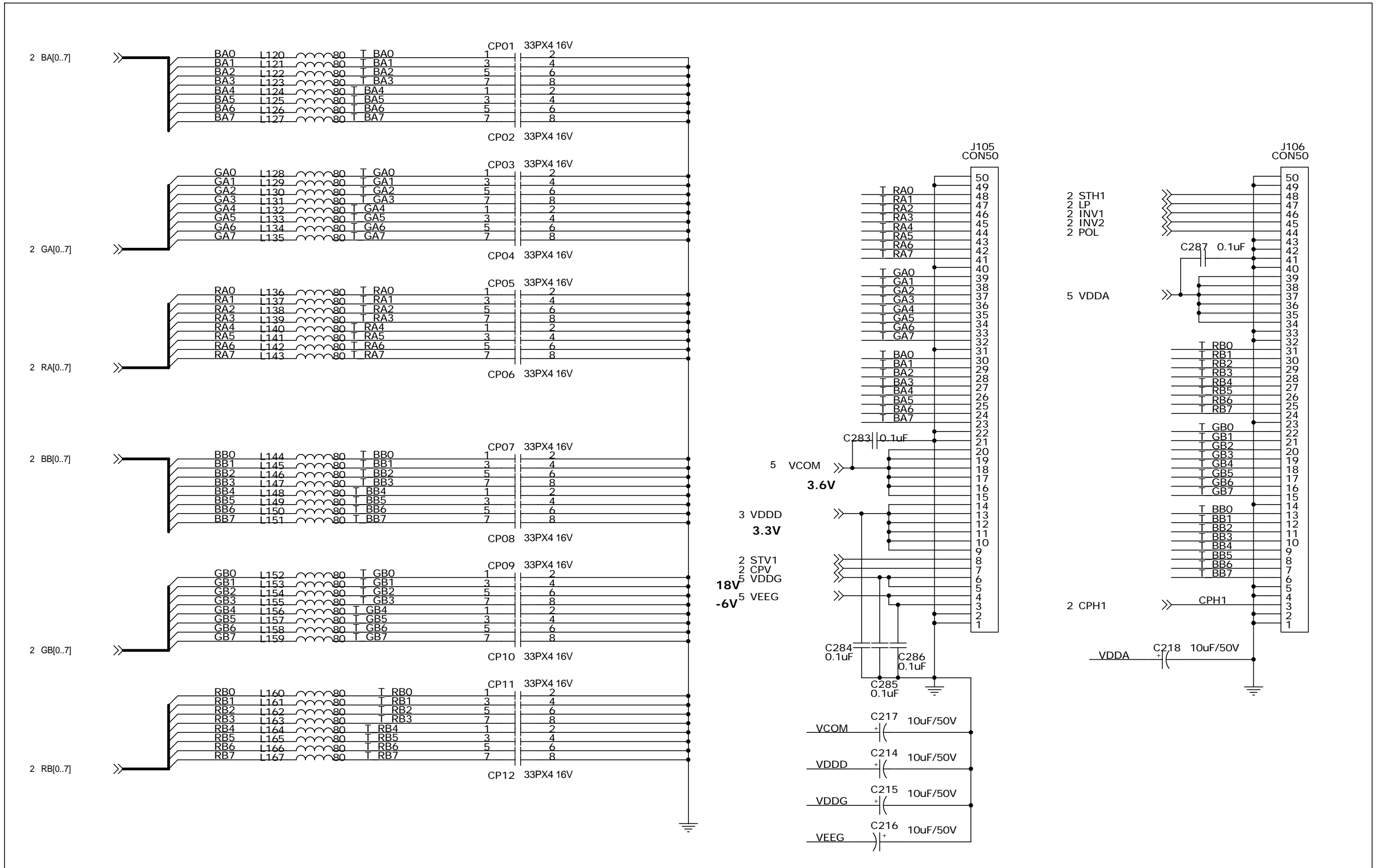
10.2. MVZ



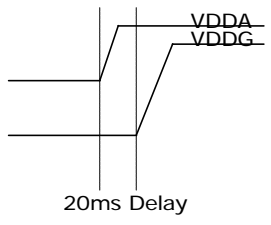
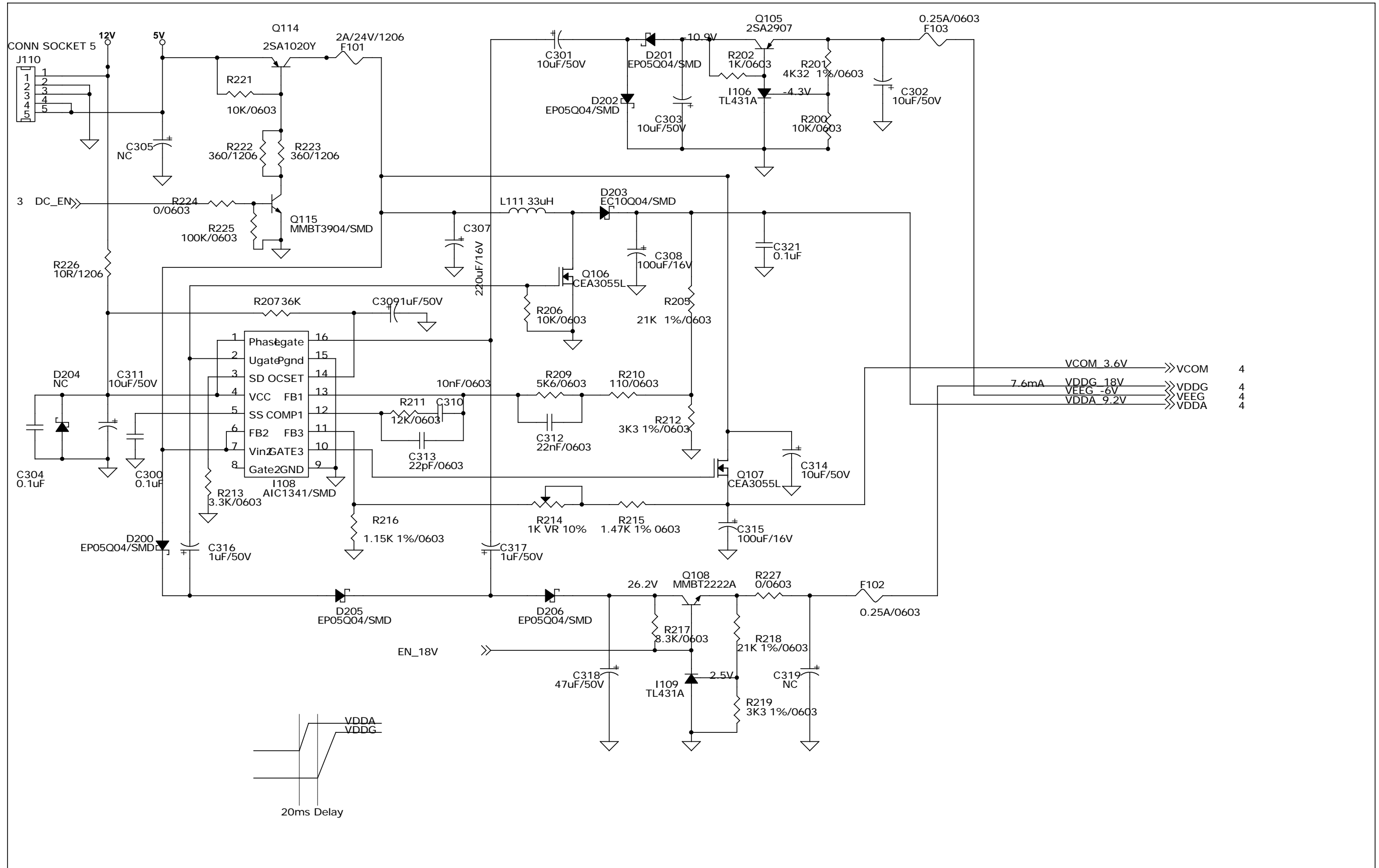
### 10.3. MCU



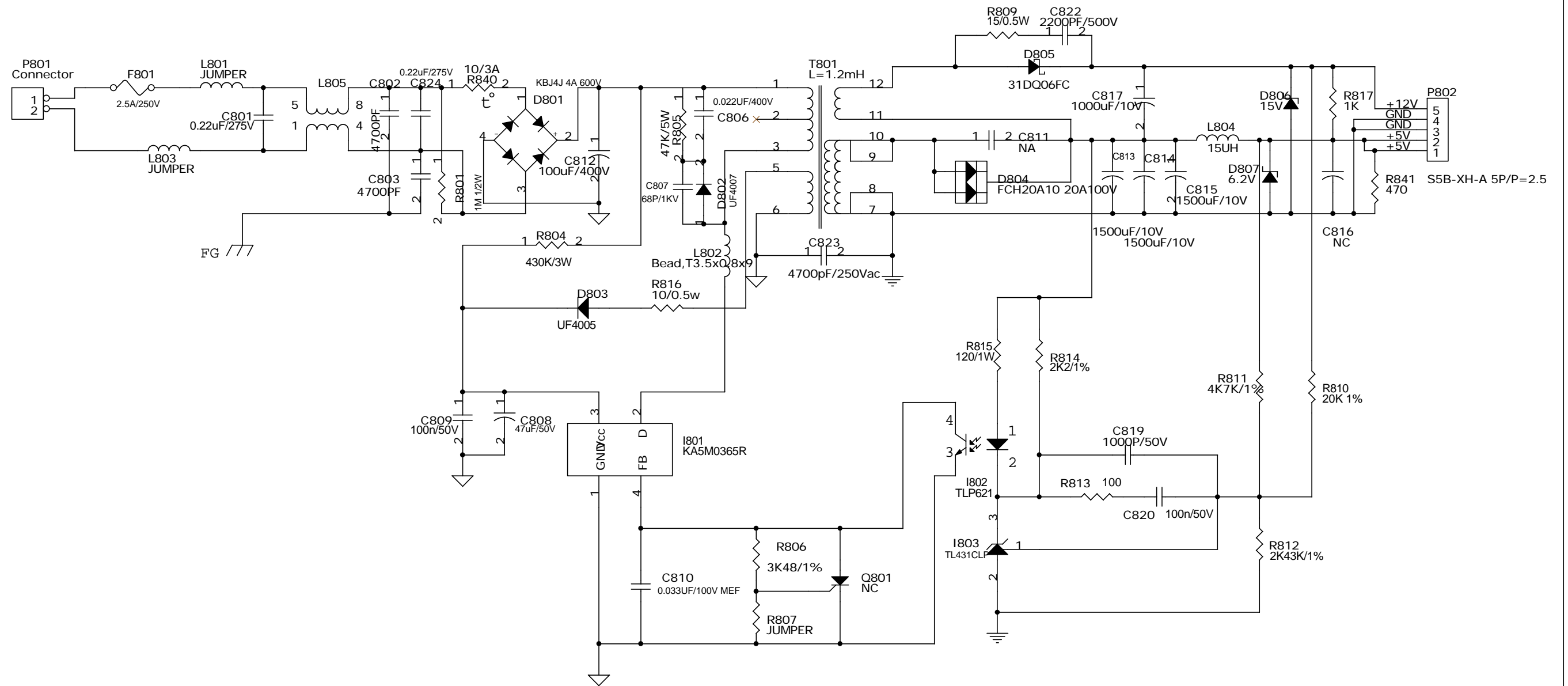
### 10.4. OUTPUT CONNECTOR



### 10.5. PANEL POWER



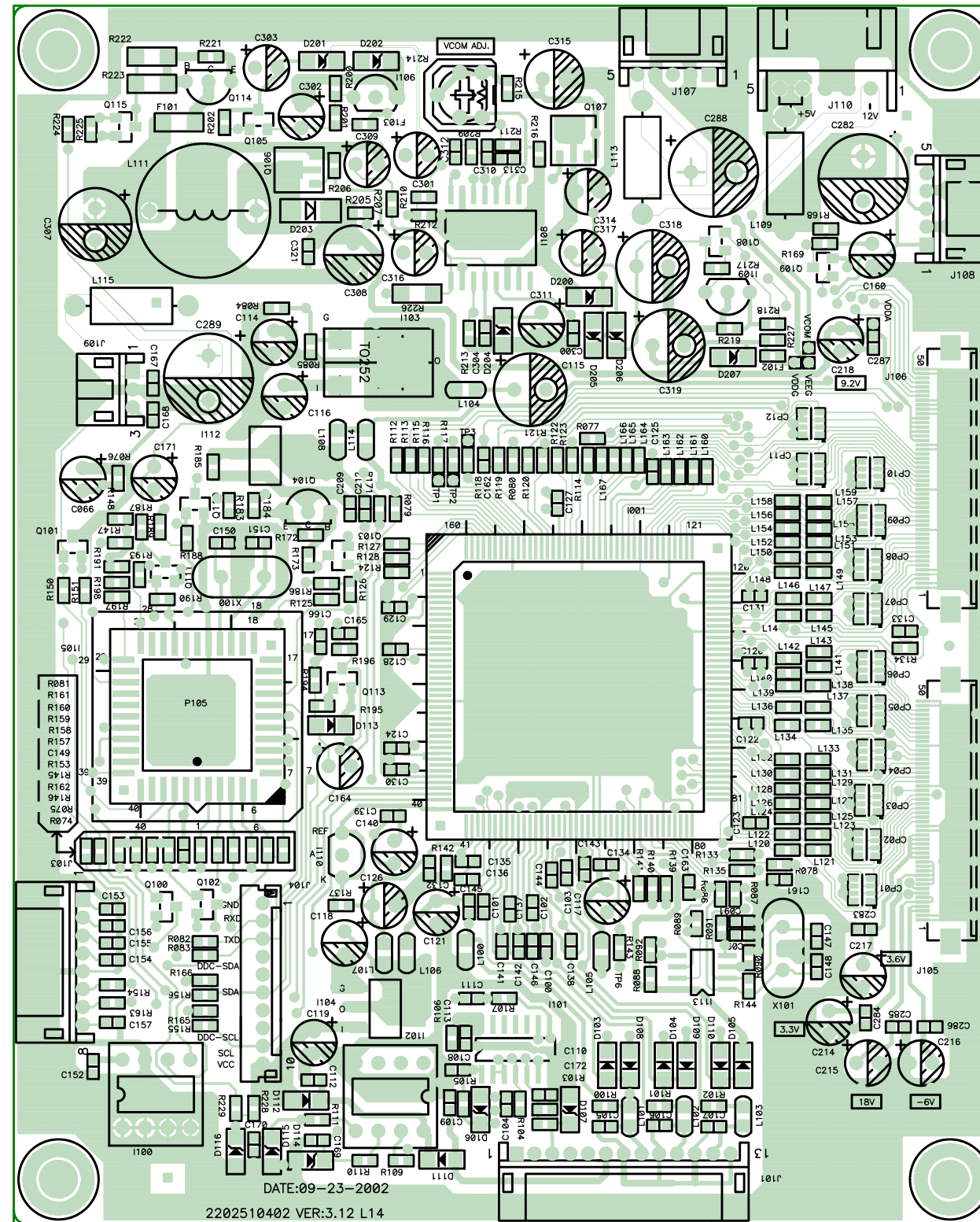
# 10.6. AC-DC POWER



- (1) Resistor - power rating is 1/4W , if not indicated.
- (2) AL-EL capacitor - temperture is 105'C , if not indicated.

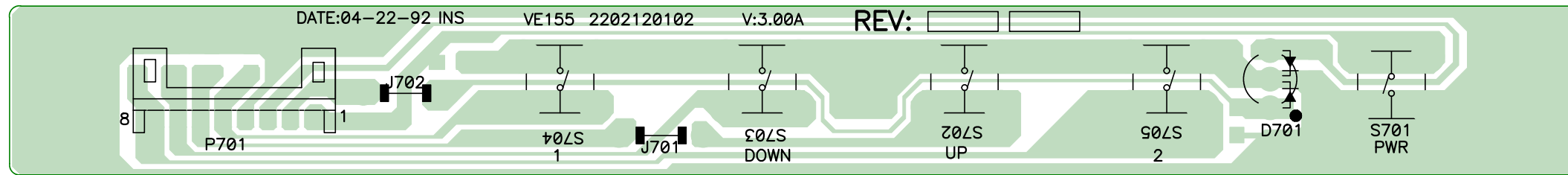
# 11. PCB Layout Diagrams

## 11.1. MAIN PCB TOP VIEW

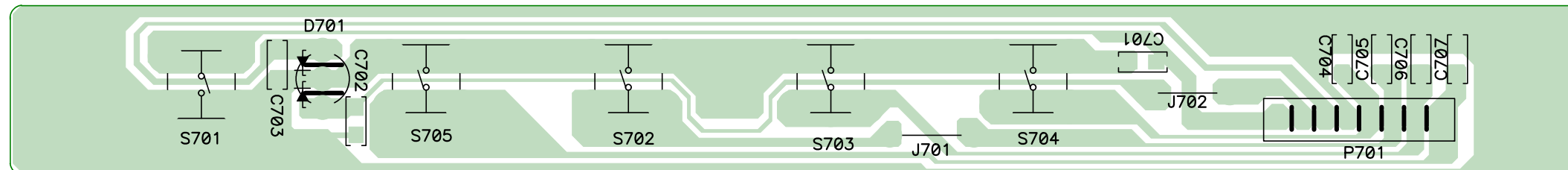




11.3. CON PCB TOP VIEW

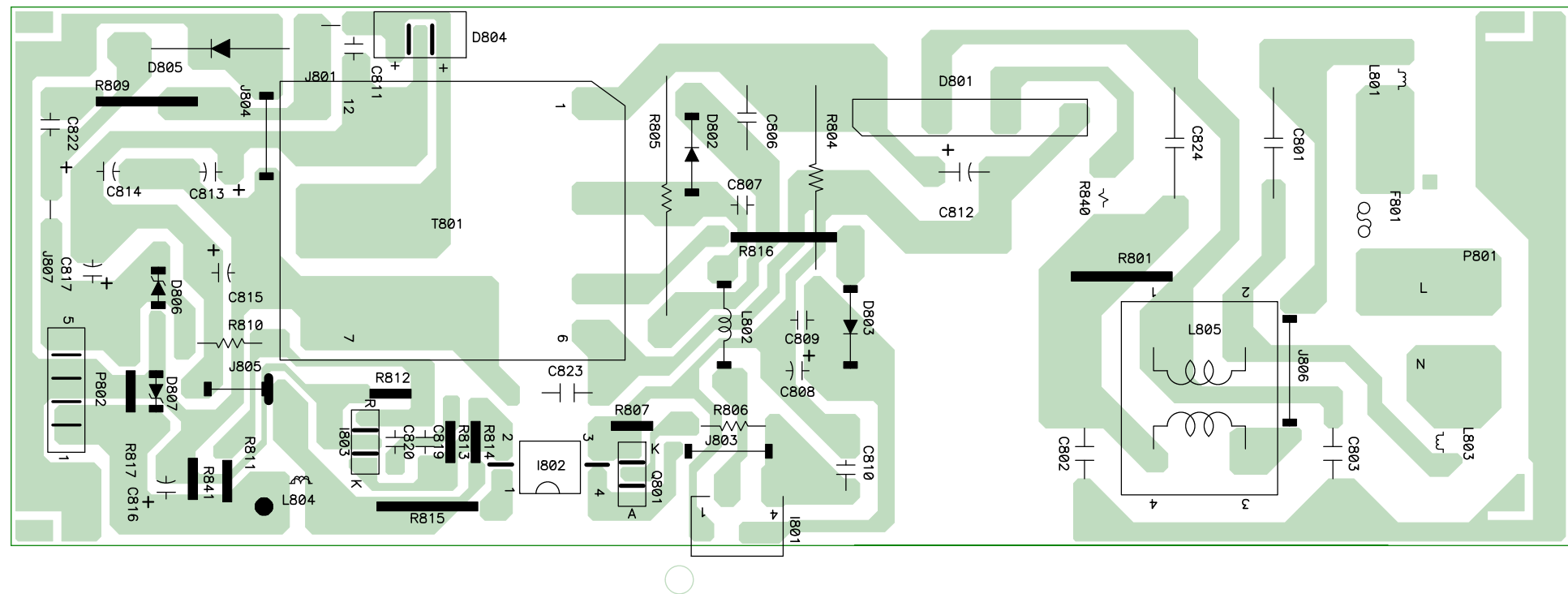


11.4. CON PCB BOTTOM VIEW





11.6. POWER PCB BOTTOM VIEW



## 12. RECOMMENDED SPARE PARTS LIST

### VE155s

Item	ViewSonic P/N	Ref. P/N	Description	Location	Q'ty
1	P-BX-0601-0862	2011168009	VE155/VA520 PALLET BOX	6P10	1
2	P-BX-0601-0861	2011168010	CARTON BOX VE155S VLCDS23585-2W 030303	6P01	1
3	P-FM-0602-0722	2012163600	POLYFOAM	6P20	1
4	P-FM-0602-0723	2012163700	POLYFOAM	6P21	1
5	M-MS-0808-0027	2013150901	PE bag	6P60	1
6	C-BC-0302-0388	2022258804	Rear enclosure	2C01	1
7	PL-PS-0715-0188	2028254603	BASE	5B01	1
8	M-LB-0813-0528	2055103400	ID label	6P52	1
9	M-SCW-0824-0416	2084730084	SCREW,BND T+	2C25	1
10	E-FS-0410-0009	2213125207	FUSE	F801	1
11	E-T-0408-0010	2374300200	XFORMER INVERTER	T802	1
12	A-VIO-0118-0030	2427501151	I/O CABLE	P961	1
13	A-CD-VE155S	2438501121	CD wizard	6P80	1
14	C-FP-0301-0930	2603307468	Front enclosure		1
15	B-MB-0201-0020	6201-7956906271	PCB ASS'Y BLOCK (MAIN)		1
16	B-CB-0206-0103	6202-7956906271	PCB ASS'Y BLOCK (CON)		1
17	B-PS-0204-0004	6204-7956906271	PCB ASS'Y BLOCK (POWER)		1
18	C-FP-0301-0376	2024262106	FRONT BEZEL VE155S/ABS+PC SILVER	1F01	1
19	PL-FK-0709-0128	2044260902	FUNCTION KEY VA520-2/ABS 94V0 SILVER	1F03	1
20	M-LB-0813-0002	2056603050	SERIAL LABEL VIEWSONIC LCD SERIAL LABEL	6P54	1
21	M-MS-0808-4026	2051350200	NAME PLATE JD144V3 VIEWSONIC 3BIRDS AL		1
22	C-BC-0302-0388	2022258804	CABI BACK PC+ABS 94V0 BLACK 4001+SILVER	2C01	1
23	M-CV-0830-2466	2027255103	DUST COVER VA520-2/ASB 94HB BLACK 4001	2C24	1
24	M-LB-0813-0873	2055636017	LABEL VE155S VLCDS23585-2W	6P05	1
25	M-LB-0813-0874	2055131719	LABEL VE155S VLCDS23585-2W VER-17	6P50	1
26	M-MS-0808-0022	2106652901	HINGE VE155 0'~90'		1
27	M-MS-0808-0024	2106652902	HINGE VE155/0'~90'		1
28	PL-PS-0715-0188	2028254603	STAND VA520-2/ABS 94HB BLACK 4001	5B01	1
29	PL-PD-0714-0069	2039802303	FOOT PAD VA520 CR420x 16.5x5.8 BLACK		1
30	M-CV-0830-2465	2027255003	DUST COVER VA520(2)/ABS 94HB BLACK 4001	5B04	1
31	M-LB-0813-0769	2055613293	LABEL VIEWSONIC OPEN STAND LABEL-LCD		1
32	A-CD-VE155S	2438501121	CD-OWNER GUIDE VE155S VER-17 WIZARD	6P80	1
33	M-MS-0808-8925	2002310349	GUARANT CARD VIEWSONIC VE155S QSG VER-17	6P84	1
34	M-MS-0808-0027	2013150901	POLYETHY BAG 700LX600WX0.03tmm PE-LD ADD>PE		1
35	M-LB-0813-0875	2055632026	LABEL VE155S VLCDS23585-2W	6P02	1
36	M-LB-0813-0876	2055613281	LABEL VIEWSONIC VA520 NUMBER STICKER		1
37	M-LB-0813-0858	2055613379	LABEL ViewSonic CONTAINER LABEL		1
38	M-LB-0813-0002	2056603050	LABEL SERIAL LABEL,VIEWSONIC LCD SERIAL LABEL		1
39	M-LB-0813-0528	2055103400	LABEL LABEL,JK0936F WEN (Date barcode)		1
40	M-MS-0808-0027	2013150901	POLYETHY BAG,700LX600WX0.03tmm PE-LD ADD>PE		1
41	M-CV-0830-0192	2027250101	DUST COVER,PE		1

### VSCN-G

Item	ViewSonic P/N	Ref. P/N	Description	Location	Q'TY
1	A-PC-0106-0138	2427130047	POWER CORD CHINA WALL 1.83M BLACK	P952	1
2	M-MS-0808-0020	2013150901	PE bag	6P60	1
3	M-LB-0813-0861	2055613324	LABEL VIEWSONIC LCD-15 3C STICKER	6P06	1
4	M-MS-0808-0028	2002310338	GUARANT CARD VIEWSONIC CHINA WARRANTY CARD	6P07	1
5	M-LB-0813-0862	2056606025	SERIAL LABEL VS ON WARRANTY CARD SN STICKER	6P08	1
6	M-LB-0813-0863	2056606010	SERIAL LABEL VIEWSONIC BOX STICKER-G	6P12	1
7	M-LB-0813-0864	2056606009	SERIAL LABEL VIEWSONIC SERVICE STICKER-G	6P15	1
8	M-MS-0808-0033	2013051800	POLYETHY BAG JT166A14 500LX470WX490H t=0.08	6P70	1

### VSE-E

Item	ViewSonic P/N	Ref. P/N	Description	Location	Q'ty
1	A-PC-0106-0121	2427130046	POWER CORD ( USA WALL 1.8M BLACK)	P951	1
2	A-PC-0106-0138	2427130047	POWER CORD ( E WALL 1.8M BLACK )	P952	1

## VE155

Item	ViewSonic P/N	Ref. P/N	Description	Location	Q'ty
1	P-BX-0601-0862	2011168009	VE155/VA520 PALLET BOX	6P10	1
2	P-BX-0601-0886	2011168014	CARTON BOX	6P01	1
3	P-FM-0602-0722	2012163600	POLYFOAM	6P20	1
4	P-FM-0602-0723	2012163700	POLYFOAM	6P21	1
6	C-BC-0302-0536	2022258801	Rear enclosure	2C01	1
7	PL-PS-0715-0202	2028254601	STAND	5B01	1
8	M-LB-0813-0528	2055103400	ID label	6P52	1
9	M-SCW-0824-0416	2084730084	SCREW,BND T+	2C25	1
10	E-FS-0410-0009	2213125207	FUSE	F801	1
11	E-T-0408-0010	2374300200	XFORMER INVERTER	T802	1
12	A-VIO-0118-0033	2427501150	I/O CABLE	P961	1
13	A-CD-VE155	2438501127	CD wizard	6P80	1
14	C-FP-0301-0843	2603307292	Front enclosure (Panel Assy)		1
15	B-MB-0201-0020	6201-7956906271	PCB ASS'Y BLOCK (MAIN)		1
16	B-CB-0206-0090	6202-7956906271	PCB ASS'Y BLOCK (CON)		1
17	B-PS-0204-0004	6204-7956906271	PCB ASS'Y BLOCK (POWER)		1
18	M-MS-0808-7712	2024262102	FRONT BEZEL VE150-2/ABS+PC GY7521	1F01	1
19	PL-FK-0707-0137	2044260901	FUNCTION KEY,VE150-2/ABS 94V0 GY7521	1F03	1
20	M-LB-0813-0002	2056603050	SERIAL LABEL,VIEWSONIC LCD SERIAL LABEL	6P54	1
21	M-MS-0808-4026	2051350200	NAME PLATE,JD144V3 VIEWSONIC 3BIRDS AL	1F05	1
22	C-BC-0302-0536	2022258801	CABI BACK,VE150-2/ABS 94V0 GY7521	2C01	1
23	M-MS-0808-8926	2027255101	DUST COVER,VE155/BACK ABS 94HB GY7521	2C24	1
24	M-LB-0813-0877	2055636006	LABEL,VE155 VLCD523585-1W	6P05	1
25	M-LB-0813-0879	2055131728	LABEL,VE155 VLCD523585-1W VER.17	6P50	1
26	M-MS-0808-0022	2106652901	HINGE,VE155 0'~90'	2C20	1
27	M-MS-0808-0024	2106652902	HINGE,VE155/0'~90'	2C20	1
28	PL-PS-0715-0202	2028254601	STAND,VE150-2/ABS 94HB GY7521	5B01	1
29	PL-PD-0714-0069	2039802303	FOOT PAD,VA520 CR420xø16.5x5.8 BLACK	5B02	4
30	M-MS-0808-8927	2027255001	DUST COVER,VE155/ABS 94HB GY7521	5B04	1
31	M-LB-0813-0769	2055613293	LABEL,VIEWSONIC OPEN STAND LABEL-LCD	5B10	1
32	A-CD-VE155	2438501127	CD-OWNER GUIDE,VE155 WIZARD DATE:	6P80	1
33	M-MS-0808-8928	2002310355	GUARANT CARD,VIEWSONIC VE155 QSG VER.17	6P81	1
34	M-MS-0808-1316	2013222536	POLYETHY BAG,250mmx350mmxt0.3 ADD>PE-LD<	6P85	1
35	M-LB-0813-0878	2055632014	LABEL,VE155 VLCD523585-1W	6P02	1
36	M-LB-0813-0856	2055613379	LABEL,ViewSonic CONTAINER LABEL	6P11	42
37	M-LB-0813-0002	2056603050	SERIAL LABEL,VIEWSONIC LCD SERIAL LABEL	6P51	1
38	M-LB-0813-0528	2055103400	LABEL,,JK0936F WEN (Date barcode)	6P52	1
39	M-MS-0808-0020	2013150901	POLYETHY BAG,700LX600WX0.03tmm PE-LD ADD>PE	6P60	1
40	M-CV-0830-0192	2027250101	DUST COVER,PE	6P90	1

## VSCN-G

Item	ViewSonic P/N	Ref. P/N	Description	Location	Q'ty
1	A-PC-0106-0143	2427130082	POWER CORD CHINA WALL 1.83M GE96750	P951	1
2	M-MS-0808-0020	2013150901	PE bag	6P60	1
3	M-LB-0813-0861	2055613324	LABEL VIEWSONIC LCD-15 3C STICKER	6P06	1
4	M-MS-0808-0028	2002310338	GUARANT CARD VIEWSONIC CHINA WARRANTY CARD	6P07	1
5	M-LB-0813-0862	2056606025	SERIAL LABEL VS ON WARRANTY CARD SN STICKER	6P08	1
6	M-LB-0813-0863	2056606010	SERIAL LABEL VIEWSONIC BOX STICKER-G	6P12	1
7	M-LB-0813-0864	2056606009	SERIAL LABEL VIEWSONIC SERVICE STICKER-G	6P15	1
8	M-MS-0808-0033	2013051800	POLYETHY BAG JT166A14 500LX470WX490H t=0.08	6P70	1

## VSA-M, VSI-P, VSE-E

Item	ViewSonic P/N	Ref. P/N	Description	Location	Q'ty
1	A-PC-0106-0123	2427130035	SVT 18/3 1.8M USA WALL KDS	P951	1
2	A-PC-0106-0142	2427130055	E WALL 1.83M(71922)	P952	1

## VE155b

Item	ViewSonic P/N	Ref. P/N	Description	Location	Q'ty
1	P-BX-0601-0862	2011168009	VE155/VA520 PALLET BOX	6P10	1
2	P-BX-0601-0707	2011168013	CARTON BOX	6P01	1
3	P-FM-0602-0722	2012163600	POLYFOAM	6P20	1
4	P-FM-0602-0723	2012163700	POLYFOAM	6P21	1
5	M-MS-0808-0027	2013150901	PE-Bag	6P60	1
6	C-BC-0302-0387	2022258805	Rear enclosure	2C01	1
7	PL-PS-0715-0203	2028254602	BASE	5B01	1
8	M-LB-0813-0528	2055103400	ID label	6P52	1
9	M-SCW-0824-0416	2084730084	SCREW,BND T+	2C25	1
10	E-FS-0410-0009	2213125207	FUSE	F801	1
11	E-T-0408-0010	2374300200	XFORMER INVERTER	T802	1
12	A-VIO-0118-0030	2427501151	I/O CABLE	P961	1
13	A-CD-VE155-B	2438501128	CD wizard	6P80	1
14	M-MS-0808-0021	2603307517	Front enclosure		1
15	B-MB-0201-0020	6201-7956906271	PCB ASS'Y BLOCK (MAIN)		1
16	B-CB-0206-0103	6202-7956906271	PCB ASS'Y BLOCK (CON)		1
17	B-PS-0204-0004	6204-7956906271	PCB ASS'Y BLOCK (POWER)		1
18	C-FP-0301-0842	2024262103	FRONT BEZEL VE155B/ABS+PC MIDNIGHT GRAY	1F01	1
19	PL-BT-0706-0147	2044260904	FUNCTION KEY ABS 94V0 MIDNIGHT GRAY	1F03	1
20	M-LB-0813-0002	2056603050	SERIAL LABEL VIEWSONIC LCD SERIAL LABEL	6P54	1
21	M-MS-0808-4026	2051350200	NAME PLATE JD144V3 VIEWSONIC 3BIRDS AL	1F05	1
22	C-BC-0302-0387	2022258805	CABI BACK PC+ABS 94V0 MIDNIGHT GRAY	2C01	1
23	M-CV-0830-0053	2027255102	DUST COVER ABS 94HB MIDNIGHT GRAY	2C24	1
24	M-LB-0813-0674	2055636010	LABEL VE155B VLCDS23585-3W	6P05	1
25	M-LB-0813-0344	2055131729	LABEL VE155B VLCDS23585-3W VER.17	6P50	1
26	M-MS-0808-0022	2106652901	HINGE VE155 0'-90'	2C20 RA	1
27	M-MS-0808-0024	2106652902	HINGE VE155/0'-90'	2C20 RB	1
28	PL-PS-0715-0203	2028254602	STAND ABS 94HB MIDNIGHT GRAY	5B01	1
29	PL-PD-0714-0069	2039802303	FOOT PAD VA520 CR420x 16.5x5.8 BLACK	5B02	1
30	M-CV-0830-0022	2027255002	DUST COVER ABS 94HB MIDNIGHT GRAY	5B04	1
31	M-LB-0813-0769	2055613293	LABEL VIEWSONIC OPEN STAND LABEL-LCD	5B10	1
32	A-UG-0107-0450	2438501128	CD-OWNER GUIDE VE155B WIZARD DATE:	6P80	1
33	M-MS-0808-0025	2002310356	GUARANT CARD VIEWSONIC VE155B QSG VER.17	6P81	1
34	M-MS-0808-0027	2013150901	POLYETHY BAG 700LX600WX0.03tmm PE-LD ADD>PE	6P60	1
35	M-LB-0813-0515	2055632015	LABEL VE155B VLCDS23585-3W	6P02	1
36	M-LB-0813-0858	2055613379	LABEL ViewSonic CONTAINER LABEL	6P11	1
37	M-LB-0813-0002	2056603050	LABEL SERIAL LABEL,VIEWSONIC LCD SERIAL LABEL	6P51	1
38	M-LB-0813-0528	2055103400	LABEL LABEL,JK0936F WEN (Date barcode)	6P52	1
39	M-MS-0808-0027	2013150901	POLYETHY BAG,700LX600WX0.03tmm PE-LD ADD>PE	6P60	1
40	M-CV-0830-0192	2027250101	DUST COVER,PE	6P90	1

## VSCN-G

Item	ViewSonic P/N	Ref. P/N	Description	Location	Q'ty
1	A-PC-0106-0277	2427130097	POWER CORD CHINA WALL 1.83M BLACK	P951	1
2	M-MS-0808-0020	2013150901	PE bag	6P60	1
3	M-LB-0813-0861	2055613324	LABEL VIEWSONIC LCD-15 3C STICKER	6P06	1
4	M-MS-0808-0028	2002310338	GUARANT CARD VIEWSONIC CHINA WARRANTY CARD	6P07	1
5	M-LB-0813-0862	2056606025	SERIAL LABEL VS ON WARRANTY CARD SN STICKER	6P08	1
6	M-LB-0813-0863	2056606010	SERIAL LABEL VIEWSONIC BOX STICKER-G	6P12	1
7	M-LB-0813-0864	2056606009	SERIAL LABEL VIEWSONIC SERVICE STICKER-G	6P15	1
8	M-MS-0808-0033	2013051800	POLYETHY BAG JT166A14 500LX470WX490H t=0.08	6P70	1

## VSE-E,VSI-P,VSA-M

Item	ViewSonic P/N	Ref. P/N	Description	Location	Q'ty
1	A-PC-0106-0121	2427130046	POWER CORD ( USA WALL 1.8M BLACK)	P951	1
2	A-PC-0106-0138	2427130047	POWER CORD E WALL 1.8M BLACK	P952	1

**VE500-2 VSA- M**

Item	ViewSonic P/N	Ref. P/N	Description	Location	Q'ty
1	P-BX-0601-0862	2011168009	VE155/VA520 PALLET BOX	6P10	1
2	P-BX-0601-0863	2011168011	VE500-2 VLCD23585-2W 030403	6P01	1
3	P-FM-0602-0722	2012163600	POLYFOAM	6P20	1
4	P-FM-0602-0723	2012163700	POLYFOAM	6P21	1
5	M-MS-0808-6740	2013150901	PE bag	6P60	1
6	C-BC-0302-0388	2022258804	Rear enclosure	2C01	1
7	PL-PS-0715-0188	2028254603	STAND	5B01	1
8	M-LB-0813-0528	2055103400	LABEL	6P52	1
9	M-SCW-0824-0580	2084730084	SCREW,BND T+	2C25	1
10	E-FS-0410-0009	2213125207	FUSE	F801	1
11	E-T-0408-0514	2374300200	XFORMER INVERTER	T802	1
12	A-VIO-0118-0030	2427501151	I/O CABLE	P961	1
13	A-CD-VE500	2438501122	CD wizard	6P80	1
14	C-FP-0301-0400	2603307473	Front enclosure		1
15	B-MB-0201-0511	6201-7956906271	PCB ASS'Y BLOCK (MAIN)		1
16	B-CB-0206-0090	6202-7956906271	PCB ASS'Y BLOCK (CON)		1
17	B-PS-0204-0025	6204-7956906271	PCB ASS'Y BLOCK (POWER)		1
18	C-FP-0301-0381	2024262107	FRONT BEZEL VE500-2/ABS+PC SILVER	1F01	1
19	PL-FK-0709-0128	2044260902	FUNCTION KEY VA520-2/ABS 94V0 SILVER	1F03	1
20	M-LB-0813-0503	2056603050	SERIAL LABEL VIEWSONIC LCD SERIAL LABEL	6P54	1
21	M-MS-0808-4026	2051350200	NAME PLATE JD144V3 VIEWSONIC 3BIRDS AL		1
22	C-BC-0302-0388	2022258804	CABI BACK PC+ABS 94V0 BLACK 4001+SILVER	2C01	1
23	M-CV-0830-2466	2027255103	DUST COVER VA520-2/ASB 94HB BLACK 4001	2C24	1
24	M-LB-0813-0852	2055636017	LABEL VE155S VLCD23585-2W	6P05	1
25	M-LB-0813-0853	2055131720	LABEL VE500-2 VLCD23585-2W VER-17	6P50	1
26	M-MS-0808-6741	2106652901	HINGE VE155 0'-90'		1
27	M-MS-0808-6742	2106652902	HINGE VE155/0'-90'		1
28	PL-PS-0715-0188	2028254603	STAND VA520-2/ABS 94HB BLACK 4001	5B01	1
29	PL-PD-0714-0069	2039802303	FOOT PAD VA520 CR420x 16.5x5.8 BLACK		1
30	M-CV-0830-2465	2027255003	DUST COVER VA520(2)/ABS 94HB BLACK 4001	5B04	1
31	M-LB-0813-0769	2055613293	LABEL VIEWSONIC OPEN STAND LABEL-LCD		1
32	A-CD-VE500-2	2438501122	CD-OWNER GUIDE VE500-2 VER-17 WIZARD	6P80	1
33	M-MS-0808-6743	2002310350	GUARANT CARD VIEWSONIC VE500-2 QSG VER-17	6P84	1
34	M-MS-08086744	2013150901	POLYETHY BAG 700LX600WX0.03tmm PE-LD ADD>PE		1
35	M-LB-0813-0854	2055632027	LABEL VE500-2 VLCD23585-2W	6P02	1
36	M-LB-0813-0855	2055613281	LABEL VIEWSONIC VA520 NUMBER STICKER		1
37	M-LB-0813-0856	2055613379	LABEL ViewSonic CONTAINER LABEL		1
38	M-LB-0813-0857	2056603050	LABEL SERIAL LABEL,VIEWSONIC LCD SERIAL LABEL		1
39	M-LB-0813-0528	2055103400	LABEL LABEL,JK0936F WEN (Date barecode)		1
40	M-MS-0808-6745	2013150901	POLYETHY BAG,700LX600WX0.03tmm PE-LD ADD>PE		1
41	M-CV-0830-0192	2027250101	DUST COVER,PE		1

**VSCN-G**

Item	ViewSonic P/N	Ref. P/N	Description	Location	Q'ty
1	A-PC-0106-0277	2427130097	POWER CORD CHINA WALL 1.83M BLACK	P951	1
2	M-MS-0808-0020	2013150901	PE bag	6P60	1
3	M-LB-0813-0861	2055613324	LABEL VIEWSONIC LCD-15 3C STICKER	6P06	1
4	M-MS-0808-0028	2002310338	GUARANT CARD VIEWSONIC CHINA WARRANTY CARD	6P07	1
5	M-LB-0813-0862	2056606025	SERIAL LABEL VS ON WARRANTY CARD SN STICKER	6P08	1
6	M-LB-0813-0863	2056606010	SERIAL LABEL VIEWSONIC BOX STICKER-G	6P12	1
7	M-LB-0813-0864	2056606009	SERIAL LABEL VIEWSONIC SERVICE STICKER-G	6P15	1
8	M-MS-0808-0033	2013051800	POLYETHY BAG JT166A14 500LX470WX490H t=0.08	6P70	1

**VSE-E,VSI-P,VSA-M**

Item	ViewSonic P/N	Ref. P/N	Description	Location	Q'ty
1	A-PC-0106-0121	2427130046	POWER CORD ( USA WALL 1.8M BLACK)	P951	1
2	A-PC-0106-0138	2427130047	POWER CORD E WALL 1.8M BLACK	P952	1

## VA520-2

Item	ViewSonic P/N	Ref. P/N	Description	Location	Q'ty
1	P-BX-0601-0862	2011168009	VE155/VA520 PALLET BOX	6P10	1
2	P-BX-0601-0879	2011168012	CARTON BOX	6P01	1
3	P-FM-0602-0722	2012163600	POLYFOAM	6P20	1
4	P-FM-0602-0723	2012163700	POLYFOAM	6P21	1
5	M-MS-0808-0027	2013150901	PE bag	6P60	1
6	C-BC-0302-0388	2022258804	Rear enclosure	2C01	1
7	PL-PS-0715-0188	2028254603	STAND	5B01	1
8	M-LB-0813-0528	2055103400	ID label	6P52	1
9	M-SCW-0824-0416	2084730084	SCREW,BND T+	2C25	1
10	E-FS-0410-0009	2213125207	FUSE	F801	1
11	E-T-0408-0010	2374300200	XFORMER INVERTER	T802	1
12	A-VIO-0118-0030	2427501151	I/O CABLE	P961	1
13	A-CD-VA520-2	2438501120	CD wizard	6P80	1
14	C-FP-0301-0842	2603307306	Front enclosure		1
15	B-MB-0201-0020	6201-7956906271	PCB ASS'Y BLOCK (MAIN)		1
16	B-CB-0206-0103	6202-7956906271	PCB ASS'Y BLOCK (CON)		1
17	B-PS-0204-0004	6204-7956906271	PCB ASS'Y BLOCK (POWER)		1
18	C-FP-0301-0104	2024262104	FRONT BEZEL VA520(2)ABS+PC SILVER	1F01	1
19	PL-FK-0709-0128	2044260902	FUNCTION KEY VA520-2/ABS 94V0 SILVER	1F03	1
20	M-LB-0813-0002	2056603050	SERIAL LABEL VIEWSONIC LCD SERIAL LABEL	6P54	1
21	M-MS-0808-4026	2051350200	NAME PLATE JD144V3 VIEWSONIC 3BIRDS AL		1
22	C-BC-0302-0388	2022258804	CABI BACK PC+ABS 94V0 BLACK 4001+SILVER	2C01	1
23	M-CV-0830-2466	2027255103	DUST COVER VA520-2/ASB 94HB BLACK 4001	2C24	1
24	M-LB-0813-0866	2055636007	LABEL VA520 VLCDS23585-2W	6P05	1
25	M-LB-0813-0867	2055131718	LABEL VA520-2 VLCDS23585-2W VER-17	6P50	1
26	M-MS-0808-0022	2106652901	HINGE VE155 0'~90'		1
27	M-MS-0808-0024	2106652902	HINGE VE155/0'~90'		1
28	PL-PS-0715-0188	2028254603	STAND VA520-2/ABS 94HB BLACK 4001	5B01	1
29	PL-PD-0714-0069	2039802303	FOOT PAD VA520 CR420xø16.5x5.8 BLACK		1
30	M-CV-0830-2465	2027255003	DUST COVER VA520(2)/ABS 94HB BLACK 4001	5B04	1
31	M-LB-0813-0769	2055613293	LABEL VIEWSONIC OPEN STAND LABEL-LCD		1
32	A-CD-VA520-2	2438501120	CD-OWNER GUIDE VA520-2 VER-17 WIZARD	6P80	1
33	M-MS-0808-0050	2002310348	GUARANT CARD VIEWSONIC-2 QSG VER-17	6P84	1
34	M-MS-0808-0027	2013150901	POLYETHY BAG 700LX600WX0.03tmm PE-LD ADD>PE		1
35	M-LB-0813-0868	2055632017	LABEL VA520 VLCDS23585-2W		1
36	M-LB-0813-0869	2055613281	LABEL VIEWSONIC VA520 NUMBER STICKER		1
37	M-LB-0813-0870	2055613379	LABEL ViewSonic CONTAINER LABEL		1
38	M-LB-0813-0002	2056603050	LABEL VIEWSONIC LCD SERIAL LABEL		1
39	M-LB-0813-0528	2055103400	LABEL LABEL,,JK0936F WEN (Date barcode)		1
40	M-MS-0808-0027	2013150901	POLYETHY BAG,700LX600WX0.03tmm PE-LD ADD>PE		1
41	M-CV-0830-0192	2027250101	DUST COVER,PE		1

## VSCN-G

Item	ViewSonic P/N	Ref. P/N	Description	Location	Q'ty
1	A-PC-0106-0277	2427130097	POWER CORD CHINA WALL 1.83M BLACK	P951	1
2	M-MS-0808-0020	2013150901	PE bag	6P06	1
3	M-LB-0813-0861	2055613324	LABEL VIEWSONIC LCD-15 3C STICKER	6P06	1
4	M-MS-0808-0028	2002310338	GUARANT CARD VIEWSONIC CHINA WARRANTY CARD	6P07	1
5	M-LB-0813-0862	2056606025	SERIAL LABEL VS ON WARRANTY CARD SN STICKEI	6P08	1
6	M-LB-0813-0863	2056606010	SERIAL LABEL VIEWSONIC BOX STICKER-(	6P12	1
7	M-LB-0813-0864	2056606009	SERIAL LABEL VIEWSONIC SERVICE STICKER-(	6P15	1
8	M-MS-0808-0033	2013051800	POLYETHY BAG JT166A14 500LX470WX490H t=0.08	6P70	1

## VSA-M

Item	ViewSonic P/N	Ref. P/N	Description	Location	Q'ty
1	M-MS-0808-0515	2001950139	ATTACH SHEET VIEWSONIC LCD PROMOTION INSERT	6P83	1

## VSE-E ; VSI-P

Item	ViewSonic P/N	Ref. P/N	Description	Location	Q'ty
1	A-PC-0106-0121	2427130046	POWER CORD ( USA WALL 1.8M BLACK	P951	1
2	A-PC-0106-0138	2427130047	POWER CORD ( E WALL 1.8M BLACK	P952	1



### 13. ELECTRICAL PARTS LIST

#### VE155s

Item	VIEWSONIC P/N	Ref.No.	DESCRIPTION	SPECIFICATION	LOC	QTY
1		2700111700	SET ASS'Y	VE155(S)	B011	1
2		2701111700	PCB ASS'Y	VE155(S)	B021	1
3		2702111700	PCB-MAIN	VE155(S)	BA31	1
4		2704111700	AUTO INSERT-MAIN	VE155(S)	BA41	1
5		2706111700	SMT-MAIN	VE155(S)	BA51	1
6		2340733008	CAP,ARRAY P=0.8 85°C	1206Y5V 33.000PF 16V M 8P	CP01	1
7		2340733008	CAP,ARRAY P=0.8 85°C	1206Y5V 33.000PF 16V M 8P	CP02	1
8		2340733008	CAP,ARRAY P=0.8 85°C	1206Y5V 33.000PF 16V M 8P	CP03	1
9		2340733008	CAP,ARRAY P=0.8 85°C	1206Y5V 33.000PF 16V M 8P	CP04	1
10		2340733008	CAP,ARRAY P=0.8 85°C	1206Y5V 33.000PF 16V M 8P	CP05	1
11		2340733008	CAP,ARRAY P=0.8 85°C	1206Y5V 33.000PF 16V M 8P	CP06	1
12		2340733008	CAP,ARRAY P=0.8 85°C	1206Y5V 33.000PF 16V M 8P	CP07	1
13		2340733008	CAP,ARRAY P=0.8 85°C	1206Y5V 33.000PF 16V M 8P	CP08	1
14		2340733008	CAP,ARRAY P=0.8 85°C	1206Y5V 33.000PF 16V M 8P	CP09	1
15		2340733008	CAP,ARRAY P=0.8 85°C	1206Y5V 33.000PF 16V M 8P	CP10	1
16		2340733008	CAP,ARRAY P=0.8 85°C	1206Y5V 33.000PF 16V M 8P	CP11	1
17		2340733008	CAP,ARRAY P=0.8 85°C	1206Y5V 33.000PF 16V M 8P	CP12	1
18		2341168196	CAP,CHIP 125°C	CS 0603/COG/50V 680p J T	C090	1
19		2346168296	CAP,CHIP 125°C	CS 0603/X7R/50V 6800p K T	C091	1
20	E-C-0404-3815	2346410496	CAP,CHIP 85°C	CS 0603/Y5V/50V 0.1u Z T	C101	1
21	E-C-0404-3815	2346410496	CAP,CHIP 85°C	CS 0603/Y5V/50V 0.1u Z T	C102	1
22	E-C-0404-3815	2346410496	CAP,CHIP 85°C	CS 0603/Y5V/50V 0.1u Z T	C103	1
23	E-C-0404-3900	2341133096	CAP,CHIP 125°C	CS 0603/COG/50V 33p J T	C104	1
24	E-C-0404-3898	2341110096	CAP,CHIP 125°C	CS 0603/COG/50V 10p J T	C108	1
25	E-C-0404-3815	2346410496	CAP,CHIP 85°C	CS 0603/Y5V/50V 0.1u Z T	C109	1
26		2341115196	CAP,CHIP 125°C	CS 0603/COG/50V 150p J T	C110	1
27	E-C-0404-3900	2341133096	CAP,CHIP 125°C	CS 0603/COG/50V 33p J T	C111	1
28	E-C-0404-3815	2346410496	CAP,CHIP 85°C	CS 0603/Y5V/50V 0.1u Z T	C112	1
29	E-C-0404-3815	2346410496	CAP,CHIP 85°C	CS 0603/Y5V/50V 0.1u Z T	C113	1
30	E-C-0404-3815	2346410496	CAP,CHIP 85°C	CS 0603/Y5V/50V 0.1u Z T	C120	1
31	E-C-0404-3815	2346410496	CAP,CHIP 85°C	CS 0603/Y5V/50V 0.1u Z T	C122	1
32	E-C-0404-3815	2346410496	CAP,CHIP 85°C	CS 0603/Y5V/50V 0.1u Z T	C123	1
33	E-C-0404-3815	2346410496	CAP,CHIP 85°C	CS 0603/Y5V/50V 0.1u Z T	C124	1
34	E-C-0404-3815	2346410496	CAP,CHIP 85°C	CS 0603/Y5V/50V 0.1u Z T	C125	1
35	E-C-0404-3815	2346410496	CAP,CHIP 85°C	CS 0603/Y5V/50V 0.1u Z T	C127	1
36	E-C-0404-3815	2346410496	CAP,CHIP 85°C	CS 0603/Y5V/50V 0.1u Z T	C128	1
37	E-C-0404-3815	2346410496	CAP,CHIP 85°C	CS 0603/Y5V/50V 0.1u Z T	C129	1
38	E-C-0404-3815	2346410496	CAP,CHIP 85°C	CS 0603/Y5V/50V 0.1u Z T	C130	1
39	E-C-0404-3815	2346410496	CAP,CHIP 85°C	CS 0603/Y5V/50V 0.1u Z T	C131	1
40	E-C-0404-3815	2346410496	CAP,CHIP 85°C	CS 0603/Y5V/50V 0.1u Z T	C132	1
41	E-C-0404-3815	2346410496	CAP,CHIP 85°C	CS 0603/Y5V/50V 0.1u Z T	C134	1
42		2341115196	CAP,CHIP 125°C	CS 0603/COG/50V 150p J T	C135	1
43		2346156296	CAP,CHIP 125°C	CS 0603/X7R/50V 5600p K T	C136	1
44	E-C-0404-4424	2346110396	CAP,CHIP 125°C	CS 0603/X7R/50V 0.01u K T	C137	1
45		2346147296	CAP,CHIP 125°C	CS 0603/X7R/50V 4700p K T	C138	1
46	E-C-0404-3815	2346410496	CAP,CHIP 85°C	CS 0603/Y5V/50V 0.1u Z T	C139	1
47		2346147296	CAP,CHIP 125°C	CS 0603/X7R/50V 4700p K T	C141	1
48	E-C-0404-4424	2346110396	CAP,CHIP 125°C	CS 0603/X7R/50V 0.01u K T	C142	1
49		2346147296	CAP,CHIP 125°C	CS 0603/X7R/50V 4700p K T	C143	1
50	E-C-0404-3815	2346410496	CAP,CHIP 85°C	CS 0603/Y5V/50V 0.1u Z T	C144	1
51	E-C-0404-3815	2346410496	CAP,CHIP 85°C	CS 0603/Y5V/50V 0.1u Z T	C145	1
52	E-C-0404-3815	2346410496	CAP,CHIP 85°C	CS 0603/Y5V/50V 0.1u Z T	C146	1
53	E-C-0404-4423	2341122096	CAP,CHIP 125°C	CS 0603/COG/50V 22p J T	C147	1
54	E-C-0404-4423	2341122096	CAP,CHIP 125°C	CS 0603/COG/50V 22p J T	C148	1
55	E-C-0404-3815	2346410496	CAP,CHIP 85°C	CS 0603/Y5V/50V 0.1u Z T	C149	1
56	E-C-0404-4423	2341122096	CAP,CHIP 125°C	CS 0603/COG/50V 22p J T	C150	1
57	E-C-0404-4423	2341122096	CAP,CHIP 125°C	CS 0603/COG/50V 22p J T	C151	1
58	E-C-0404-3815	2346410496	CAP,CHIP 85°C	CS 0603/Y5V/50V 0.1u Z T	C152	1
59	E-C-0404-3815	2346410496	CAP,CHIP 85°C	CS 0603/Y5V/50V 0.1u Z T	C153	1
60	E-C-0404-3815	2346410496	CAP,CHIP 85°C	CS 0603/Y5V/50V 0.1u Z T	C154	1
61	E-C-0404-3815	2346410496	CAP,CHIP 85°C	CS 0603/Y5V/50V 0.1u Z T	C155	1
62	E-C-0404-3815	2346410496	CAP,CHIP 85°C	CS 0603/Y5V/50V 0.1u Z T	C156	1
63	E-C-0404-3815	2346410496	CAP,CHIP 85°C	CS 0603/Y5V/50V 0.1u Z T	C157	1
64	E-C-0404-4423	2341122096	CAP,CHIP 125°C	CS 0603/COG/50V 22p J T	C161	1

Item	VIEWSONIC P/N	Ref.No.	DESCRIPTION	SPECIFICATION	LOC	QTY
65	E-C-0404-3815	2346410496	CAP,CHIP 85°C	CS 0603/Y5V/50V 0.1u Z T	C163	1
66	E-C-0404-3815	2346410496	CAP,CHIP 85°C	CS 0603/Y5V/50V 0.1u Z T	C165	1
67	E-C-0404-3815	2346410496	CAP,CHIP 85°C	CS 0603/Y5V/50V 0.1u Z T	C166	1
68	E-C-0404-3898	2341110096	CAP,CHIP 125°C	CS 0603/COG/50V 10p J T	C169	1
69	E-C-0404-3898	2341110096	CAP,CHIP 125°C	CS 0603/COG/50V 10p J T	C170	1
70	E-C-0404-3815	2346410496	CAP,CHIP 85°C	CS 0603/Y5V/50V 0.1u Z T	C209	1
71	E-C-0404-3815	2346410496	CAP,CHIP 85°C	CS 0603/Y5V/50V 0.1u Z T	C212	1
72	E-C-0404-3815	2346410496	CAP,CHIP 85°C	CS 0603/Y5V/50V 0.1u Z T	C283	1
73	E-C-0404-3815	2346410496	CAP,CHIP 85°C	CS 0603/Y5V/50V 0.1u Z T	C284	1
74	E-C-0404-3815	2346410496	CAP,CHIP 85°C	CS 0603/Y5V/50V 0.1u Z T	C285	1
75	E-C-0404-3815	2346410496	CAP,CHIP 85°C	CS 0603/Y5V/50V 0.1u Z T	C286	1
76	E-C-0404-3815	2346410496	CAP,CHIP 85°C	CS 0603/Y5V/50V 0.1u Z T	C287	1
77	E-C-0404-3815	2346410496	CAP,CHIP 85°C	CS 0603/Y5V/50V 0.1u Z T	C300	1
78	E-C-0404-3815	2346410496	CAP,CHIP 85°C	CS 0603/Y5V/50V 0.1u Z T	C304	1
79	E-C-0404-4424	2346110396	CAP,CHIP 125°C	CS 0603/X7R/50V 0.01u K T	C310	1
80		2346122396	CAP,CHIP 125°C	CS 0603/X7R/50V 0.022u K T	C312	1
81	E-C-0404-4423	2341122096	CAP,CHIP 125°C	CS 0603/COG/50V 22p J T	C313	1
82	E-C-0404-3815	2346410496	CAP,CHIP 85°C	CS 0603/Y5V/50V 0.1u Z T	C321	1
83	E-D-0403-1892	2364200896	DIODE,RECT(SMD)	BAS32L SOD80C PHILIPS	D103	1
84	E-D-0403-1667	2364600196	DIODE,SWITCH SMD	LL4148 3.5X1.5φ TEMIC GS08	D103	1
85	E-D-0403-1892	2364200896	DIODE,RECT(SMD)	BAS32L SOD80C PHILIPS	D104	1
86	E-D-0403-1667	2364600196	DIODE,SWITCH SMD	LL4148 3.5X1.5φ TEMIC GS08	D104	1
87	E-D-0403-1892	2364200896	DIODE,RECT(SMD)	BAS32L SOD80C PHILIPS	D105	1
88	E-D-0403-1667	2364600196	DIODE,SWITCH SMD	LL4148 3.5X1.5φ TEMIC GS08	D105	1
89	E-D-0403-1779	2364503996	DIODE,ZENER SMD	BZV55-C5V6 PHILIPS	D106	1
90	E-D-0403-1779	2364503996	DIODE,ZENER SMD	BZV55-C5V6 PHILIPS	D107	1
91	E-D-0403-1892	2364200896	DIODE,RECT(SMD)	BAS32L SOD80C PHILIPS	D108	1
92	E-D-0403-1667	2364600196	DIODE,SWITCH SMD	LL4148 3.5X1.5φ TEMIC GS08	D108	1
93	E-D-0403-1892	2364200896	DIODE,RECT(SMD)	BAS32L SOD80C PHILIPS	D109	1
94	E-D-0403-1667	2364600196	DIODE,SWITCH SMD	LL4148 3.5X1.5φ TEMIC GS08	D109	1
95	E-D-0403-1892	2364200896	DIODE,RECT(SMD)	BAS32L SOD80C PHILIPS	D110	1
96	E-D-0403-1667	2364600196	DIODE,SWITCH SMD	LL4148 3.5X1.5φ TEMIC GS08	D110	1
97	E-D-0403-1892	2364200896	DIODE,RECT(SMD)	BAS32L SOD80C PHILIPS	D111	1
98	E-D-0403-1667	2364600196	DIODE,SWITCH SMD	LL4148 3.5X1.5φ TEMIC GS08	D111	1
99	E-D-0403-1892	2364200896	DIODE,RECT(SMD)	BAS32L SOD80C PHILIPS	D112	1
100	E-D-0403-1667	2364600196	DIODE,SWITCH SMD	LL4148 3.5X1.5φ TEMIC GS08	D112	1
101	E-D-0403-1892	2364200896	DIODE,RECT(SMD)	BAS32L SOD80C PHILIPS	D113	1
102	E-D-0403-1667	2364600196	DIODE,SWITCH SMD	LL4148 3.5X1.5φ TEMIC GS08	D113	1
103	E-D-0403-1779	2364503996	DIODE,ZENER SMD	BZV55-C5V6 PHILIPS	D114	1
104	E-D-0403-1779	2364503996	DIODE,ZENER SMD	BZV55-C5V6 PHILIPS	D115	1
105	E-D-0403-1779	2364503996	DIODE,ZENER SMD	BZV55-C5V6 PHILIPS	D116	1
106		2364300896	DIODE,SCHOTTKY(SMD)	EP05Q04-TE8L 0.4A/40V NI	D200	1
107		2364301396	DIODE,SCHOTTKY(SMD)	SS0540 PEC	D200	1
108		2364300896	DIODE,SCHOTTKY(SMD)	EP05Q04-TE8L 0.4A/40V NI	D201	1
109		2364301396	DIODE,SCHOTTKY(SMD)	SS0540 PEC	D201	1
110		2364300896	DIODE,SCHOTTKY(SMD)	EP05Q04-TE8L 0.4A/40V NI	D202	1
111		2364301396	DIODE,SCHOTTKY(SMD)	SS0540 PEC	D202	1
112	E-D-0403-2088	2364201496	DIODE,RECT(SMD)	EC10QS04-TE12L NI	D203	1
113	E-D-0403-2087	2364301296	DIODE,SCHOTTKY(SMD)	SSM14 CHENMKO SMA	D203	1
114		2364300896	DIODE,SCHOTTKY(SMD)	EP05Q04-TE8L 0.4A/40V NI	D205	1
115		2364301396	DIODE,SCHOTTKY(SMD)	SS0540 PEC	D205	1
116		2364300896	DIODE,SCHOTTKY(SMD)	EP05Q04-TE8L 0.4A/40V NI	D206	1
117		2364301396	DIODE,SCHOTTKY(SMD)	SS0540 PEC	D206	1
118		2213620204	FUSE SMD	FUSE 2A/24V KE20 DAITO	F101	1
119		2213625801	FUSE SMD	FUSE 0.25A/50V KMD025 DAITO	F102	1
120		2213625802	FUSE SMD	FUSE 0.25A/32V 0434.250 LITTEL	F102	1
121		2213625801	FUSE SMD	FUSE 0.25A/50V KMD025 DAITO	F103	1
122		2213625802	FUSE SMD	FUSE 0.25A/32V 0434.250 LITTEL	F103	1
123	E-IC-0401-2130	2365921996	IC,DIGITAL SMD	SN74LVC14AD TI	I101	1
124	E-IC-0401-2132	2365922496	IC,DIGITAL SMD	74LVC14A PHILIPS SO14	I101	1
125		2365808996	IC,LINEAR(SMD)	AP1117D-3.3V TO-252 ATC	I103	1
126		2365807196	IC,LINEAR(SMD)	AMC1117-3.3 SOT-223 ADD	I104	1
127		2365808196	IC,LINEAR(SMD)	AP1117E-3.3V SOT-223 ATC	I104	1
128		2365928396	IC,DIGITAL SMD	W78E65P PLCC44 WINBOND	I105	1
129		2365927996	IC,DIGITAL SMD	SM5964C40J PLCC44L SyncMOS	I105	1

Item	VIEWSONIC P/N	Ref.No.	DESCRIPTION	SPECIFICATION	LOC	QTY
130		2365807296	IC,LINEAR(SMD)	AIC1341CS AIC SO16	I108	1
131		2365807196	IC,LINEAR(SMD)	AMC1117-3.3 SOT-223 ADD	I112	1
132		2365808196	IC,LINEAR(SMD)	AP1117E-3.3V SOT-223 ATC	I112	1
133		2365809996	IC,LINEAR(SMD)	P2781A-08SR SOIC-8 PulseCore	I113	1
134		2407630250	SOCKET,SMD	6240-50-OR5P 0.5*50P KYOCERA	J105	1
135		2407630250	SOCKET,SMD	6240-50-OR5P 0.5*50P KYOCERA	J106	1
136	E-L-0407-1535	2379820196	BEAD,HI-IMPEDANCE	Z=200ohm(100MHZ~) 0805 200mA	L100	1
137	E-L-0407-1371	2379832096	BEAD,HI-IMPEDANCE	Z=32ohm(100MHZ~) 0805 300mA	L101	1
138	E-L-0407-1371	2379832096	BEAD,HI-IMPEDANCE	Z=32ohm(100MHZ~) 0805 300mA	L102	1
139	E-L-0407-1371	2379832096	BEAD,HI-IMPEDANCE	Z=32ohm(100MHZ~) 0805 300mA	L103	1
140	E-L-0407-1535	2379820196	BEAD,HI-IMPEDANCE	Z=200ohm(100MHZ~) 0805 200mA	L104	1
141	E-L-0407-1535	2379820196	BEAD,HI-IMPEDANCE	Z=200ohm(100MHZ~) 0805 200mA	L105	1
142	E-L-0407-1535	2379820196	BEAD,HI-IMPEDANCE	Z=200ohm(100MHZ~) 0805 200mA	L106	1
143	E-L-0407-1535	2379820196	BEAD,HI-IMPEDANCE	Z=200ohm(100MHZ~) 0805 200mA	L107	1
144	E-L-0407-1535	2379820196	BEAD,HI-IMPEDANCE	Z=200ohm(100MHZ~) 0805 200mA	L108	1
145		2379380006	BEAD,HI-IMPEDANCE	Z=80ohm(200MHZ~) 0603 200mA	L120	1
146		2379380006	BEAD,HI-IMPEDANCE	Z=80ohm(200MHZ~) 0603 200mA	L121	1
147		2379380006	BEAD,HI-IMPEDANCE	Z=80ohm(200MHZ~) 0603 200mA	L122	1
148		2379380006	BEAD,HI-IMPEDANCE	Z=80ohm(200MHZ~) 0603 200mA	L123	1
149		2379380006	BEAD,HI-IMPEDANCE	Z=80ohm(200MHZ~) 0603 200mA	L124	1
150		2379380006	BEAD,HI-IMPEDANCE	Z=80ohm(200MHZ~) 0603 200mA	L125	1
151		2379380006	BEAD,HI-IMPEDANCE	Z=80ohm(200MHZ~) 0603 200mA	L126	1
152		2379380006	BEAD,HI-IMPEDANCE	Z=80ohm(200MHZ~) 0603 200mA	L127	1
153		2379380006	BEAD,HI-IMPEDANCE	Z=80ohm(200MHZ~) 0603 200mA	L128	1
154		2379380006	BEAD,HI-IMPEDANCE	Z=80ohm(200MHZ~) 0603 200mA	L129	1
155		2379380006	BEAD,HI-IMPEDANCE	Z=80ohm(200MHZ~) 0603 200mA	L130	1
156		2379380006	BEAD,HI-IMPEDANCE	Z=80ohm(200MHZ~) 0603 200mA	L131	1
157		2379380006	BEAD,HI-IMPEDANCE	Z=80ohm(200MHZ~) 0603 200mA	L132	1
158		2379380006	BEAD,HI-IMPEDANCE	Z=80ohm(200MHZ~) 0603 200mA	L133	1
159		2379380006	BEAD,HI-IMPEDANCE	Z=80ohm(200MHZ~) 0603 200mA	L134	1
160		2379380006	BEAD,HI-IMPEDANCE	Z=80ohm(200MHZ~) 0603 200mA	L135	1
161		2379380006	BEAD,HI-IMPEDANCE	Z=80ohm(200MHZ~) 0603 200mA	L136	1
162		2379380006	BEAD,HI-IMPEDANCE	Z=80ohm(200MHZ~) 0603 200mA	L137	1
163		2379380006	BEAD,HI-IMPEDANCE	Z=80ohm(200MHZ~) 0603 200mA	L138	1
164		2379380006	BEAD,HI-IMPEDANCE	Z=80ohm(200MHZ~) 0603 200mA	L139	1
165		2379380006	BEAD,HI-IMPEDANCE	Z=80ohm(200MHZ~) 0603 200mA	L140	1
166		2379380006	BEAD,HI-IMPEDANCE	Z=80ohm(200MHZ~) 0603 200mA	L141	1
167		2379380006	BEAD,HI-IMPEDANCE	Z=80ohm(200MHZ~) 0603 200mA	L142	1
168		2379380006	BEAD,HI-IMPEDANCE	Z=80ohm(200MHZ~) 0603 200mA	L143	1
169		2379380006	BEAD,HI-IMPEDANCE	Z=80ohm(200MHZ~) 0603 200mA	L144	1
170		2379380006	BEAD,HI-IMPEDANCE	Z=80ohm(200MHZ~) 0603 200mA	L145	1
171		2379380006	BEAD,HI-IMPEDANCE	Z=80ohm(200MHZ~) 0603 200mA	L146	1
172		2379380006	BEAD,HI-IMPEDANCE	Z=80ohm(200MHZ~) 0603 200mA	L147	1
173		2379380006	BEAD,HI-IMPEDANCE	Z=80ohm(200MHZ~) 0603 200mA	L148	1
174		2379380006	BEAD,HI-IMPEDANCE	Z=80ohm(200MHZ~) 0603 200mA	L149	1
175		2379380006	BEAD,HI-IMPEDANCE	Z=80ohm(200MHZ~) 0603 200mA	L150	1
176		2379380006	BEAD,HI-IMPEDANCE	Z=80ohm(200MHZ~) 0603 200mA	L151	1
177		2379380006	BEAD,HI-IMPEDANCE	Z=80ohm(200MHZ~) 0603 200mA	L152	1
178		2379380006	BEAD,HI-IMPEDANCE	Z=80ohm(200MHZ~) 0603 200mA	L153	1
179		2379380006	BEAD,HI-IMPEDANCE	Z=80ohm(200MHZ~) 0603 200mA	L154	1
180		2379380006	BEAD,HI-IMPEDANCE	Z=80ohm(200MHZ~) 0603 200mA	L155	1
181		2379380006	BEAD,HI-IMPEDANCE	Z=80ohm(200MHZ~) 0603 200mA	L156	1
182		2379380006	BEAD,HI-IMPEDANCE	Z=80ohm(200MHZ~) 0603 200mA	L157	1
183		2379380006	BEAD,HI-IMPEDANCE	Z=80ohm(200MHZ~) 0603 200mA	L158	1
184		2379380006	BEAD,HI-IMPEDANCE	Z=80ohm(200MHZ~) 0603 200mA	L159	1
185		2379380006	BEAD,HI-IMPEDANCE	Z=80ohm(200MHZ~) 0603 200mA	L160	1
186		2379380006	BEAD,HI-IMPEDANCE	Z=80ohm(200MHZ~) 0603 200mA	L161	1
187		2379380006	BEAD,HI-IMPEDANCE	Z=80ohm(200MHZ~) 0603 200mA	L162	1
188		2379380006	BEAD,HI-IMPEDANCE	Z=80ohm(200MHZ~) 0603 200mA	L163	1
189		2379380006	BEAD,HI-IMPEDANCE	Z=80ohm(200MHZ~) 0603 200mA	L164	1
190		2379380006	BEAD,HI-IMPEDANCE	Z=80ohm(200MHZ~) 0603 200mA	L165	1
191		2379380006	BEAD,HI-IMPEDANCE	Z=80ohm(200MHZ~) 0603 200mA	L166	1
192		2379380006	BEAD,HI-IMPEDANCE	Z=80ohm(200MHZ~) 0603 200mA	L167	1
193		2407390144	SOCKET,IC	1.27mmX44PIN SMD PLCC	P105	1
194		2360100596	XISTOR,PNP R SMD	MMBT3906 FAIRCHILD SOT23	Q100	1

Item	VIEWSONIC P/N	Ref.No.	DESCRIPTION	SPECIFICATION	LOC	QTY
195	E-Q-0402-1375	2360100396	XISTOR,PNP R SMD	MMBT3906-7 VISHAY SOT-23	Q100	1
196		2360100796	XISTOR,PNP R SMD	MMBT3906 SOT-23 DIODES	Q100	1
197		2360100596	XISTOR,PNP R SMD	MMBT3906 FAIRCHILD SOT23	Q102	1
198	E-Q-0402-1375	2360100396	XISTOR,PNP R SMD	MMBT3906-7 VISHAY SOT-23	Q102	1
199		2360100796	XISTOR,PNP R SMD	MMBT3906 SOT-23 DIODES	Q102	1
200		2360300896	XISTOR,NPN R SMD	MMBT3904 FAIRCHILD SOT23	Q103	1
201	E-Q-0402-1180	2360301296	XISTOR,NPN R SMD	MMBT3904 DIODES SOT-23	Q103	1
202	E-Q-0402-1378	2360300596	XISTOR,NPN R SMD	MMBT3904-7 VISHAY SOT-23	Q103	1
203		2360301096	XISTOR,NPN R SMD	KST2907A FAIRCHILD SOT23	Q105	1
204		2360608296	FET,N-CH(SMD)	2SK3065 SC-62 ROHM	Q106	1
205		2360607996	FET,N-CH(SMD)	CEA3055L CET SOT-89	Q106	1
206		2360608296	FET,N-CH(SMD)	2SK3065 SC-62 ROHM	Q107	1
207		2360607996	FET,N-CH(SMD)	CEA3055L CET SOT-89	Q107	1
208		2360301396	XISTOR,NPN R SMD	PMBT2222A PHILIPS SOT23	Q108	1
209		2360301196	XISTOR,NPN R SMD	MMBT2222A FAIRCHILD SOT23	Q108	1
210		2360300896	XISTOR,NPN R SMD	MMBT3904 FAIRCHILD SOT23	Q109	1
211	E-Q-0402-1180	2360301296	XISTOR,NPN R SMD	MMBT3904 DIODES SOT-23	Q109	1
212	E-Q-0402-1378	2360300596	XISTOR,NPN R SMD	MMBT3904-7 VISHAY SOT-23	Q109	1
213		2360300896	XISTOR,NPN R SMD	MMBT3904 FAIRCHILD SOT23	Q110	1
214	E-Q-0402-1180	2360301296	XISTOR,NPN R SMD	MMBT3904 DIODES SOT-23	Q110	1
215		2360300896	XISTOR,NPN R SMD	MMBT3904 FAIRCHILD SOT23	Q111	1
216	E-Q-0402-1180	2360301296	XISTOR,NPN R SMD	MMBT3904 DIODES SOT-23	Q111	1
217	E-Q-0402-1378	2360300596	XISTOR,NPN R SMD	MMBT3904-7 VISHAY SOT-23	Q111	1
218		2360100596	XISTOR,PNP R SMD	MMBT3906 FAIRCHILD SOT23	Q113	1
219	E-Q-0402-1375	2360100396	XISTOR,PNP R SMD	MMBT3906-7 VISHAY SOT-23	Q113	1
220		2360100796	XISTOR,PNP R SMD	MMBT3906 SOT-23 DIODES	Q113	1
221		2360300896	XISTOR,NPN R SMD	MMBT3904 FAIRCHILD SOT23	Q115	1
222	E-Q-0402-1180	2360301296	XISTOR,NPN R SMD	MMBT3904 DIODES SOT-23	Q115	1
223	E-Q-0402-1378	2360300596	XISTOR,NPN R SMD	MMBT3904-7 VISHAY SOT-23	Q115	1
224	E-R-0405-6602	2253215196	RES,CHIP 1/10W	RC 0603 1/10W 150ohm J T	R074	1
225	E-R-0405-6602	2253215196	RES,CHIP 1/10W	RC 0603 1/10W 150ohm J T	R075	1
226	E-R-0405-6409	2253210196	RES,CHIP 1/10W	RC 0603 1/10W 100ohm J T	R077	1
227		2379380006	BEAD,HI-IMPEDANCE	Z=80ohm(200MHz-) 0603 200mA	R078	1
228	E-R-0405-6416	2253233296	RES,CHIP 1/10W	RC 0603 1/10W 3.3Kohm J T	R079	1
229	E-R-0405-6416	2253233296	RES,CHIP 1/10W	RC 0603 1/10W 3.3Kohm J T	R080	1
230	E-R-0405-6602	2253215196	RES,CHIP 1/10W	RC 0603 1/10W 150ohm J T	R081	1
231	E-R-0405-6602	2253215196	RES,CHIP 1/10W	RC 0603 1/10W 150ohm J T	R082	1
232	E-R-0405-6602	2253215196	RES,CHIP 1/10W	RC 0603 1/10W 150ohm J T	R083	1
233	E-R-0405-6600	2253200096	RES,CHIP 1/10W	RC 0603 1/10W 0ohm J T	R084	1
234	E-R-0405-6600	2253200096	RES,CHIP 1/10W	RC 0603 1/10W 0ohm J T	R090	1
235		2253212296	RES,CHIP 1/10W	RC 0603 1/10W 1.2Kohm J T	R091	1
236	E-R-0405-6600	2253200096	RES,CHIP 1/10W	RC 0603 1/10W 0ohm J T	R092	1
237		2251275096	RES,CHIP 1/10	RC 0603 1/10W 75ohm F T	R100	1
238		2251275096	RES,CHIP 1/10	RC 0603 1/10W 75ohm F T	R101	1
239		2251275096	RES,CHIP 1/10	RC 0603 1/10W 75ohm F T	R102	1
240	E-R-0405-6409	2253210196	RES,CHIP 1/10W	RC 0603 1/10W 100ohm J T	R103	1
241	E-R-0405-6409	2253210196	RES,CHIP 1/10W	RC 0603 1/10W 100ohm J T	R104	1
242	E-R-0405-6603	2253222096	RES,CHIP 1/10W	RC 0603 1/10W 22ohm J T	R105	1
243	E-R-0405-6409	2253210196	RES,CHIP 1/10W	RC 0603 1/10W 100ohm J T	R107	1
244	E-R-0405-6602	2253215196	RES,CHIP 1/10W	RC 0603 1/10W 150ohm J T	R109	1
245	E-R-0405-6602	2253215196	RES,CHIP 1/10W	RC 0603 1/10W 150ohm J T	R110	1
246	E-R-0405-6602	2253215196	RES,CHIP 1/10W	RC 0603 1/10W 150ohm J T	R111	1
247	E-R-0405-6603	2253222096	RES,CHIP 1/10W	RC 0603 1/10W 22ohm J T	R113	1
248	E-R-0405-6411	2253210396	RES,CHIP 1/10W	RC 0603 1/10W 10Kohm J T	R114	1
249	E-R-0405-6603	2253222096	RES,CHIP 1/10W	RC 0603 1/10W 22ohm J T	R115	1
250	E-R-0405-6411	2253210396	RES,CHIP 1/10W	RC 0603 1/10W 10Kohm J T	R116	1
251	E-R-0405-6411	2253210396	RES,CHIP 1/10W	RC 0603 1/10W 10Kohm J T	R117	1
252	E-R-0405-6419	2253247296	RES,CHIP 1/10W	RC 0603 1/10W 4.7Kohm J T	R120	1
253	E-R-0405-6416	2253233296	RES,CHIP 1/10W	RC 0603 1/10W 3.3Kohm J T	R121	1
254		2379380006	BEAD,HI-IMPEDANCE	Z=80ohm(200MHz-) 0603 200mA	R122	1
255	E-R-0405-6603	2253222096	RES,CHIP 1/10W	RC 0603 1/10W 22ohm J T	R123	1
256	E-R-0405-6411	2253210396	RES,CHIP 1/10W	RC 0603 1/10W 10Kohm J T	R124	1
257	E-R-0405-6409	2253210196	RES,CHIP 1/10W	RC 0603 1/10W 100ohm J T	R125	1
258	E-R-0405-6409	2253210196	RES,CHIP 1/10W	RC 0603 1/10W 100ohm J T	R127	1
259	E-R-0405-6409	2253210196	RES,CHIP 1/10W	RC 0603 1/10W 100ohm J T	R128	1

Item	VIEWSONIC P/N	Ref.No.	DESCRIPTION	SPECIFICATION	LOC	QTY
260		2379380006	BEAD,HI-IMPEDANCE	Z=80ohm(200MHz~) 0603 200mA	R133	1
261	E-R-0405-6600	2253200096	RES,CHIP 1/10W	RC 0603 1/10W 0ohm J T	R134	1
262	E-R-0405-6603	2253222096	RES,CHIP 1/10W	RC 0603 1/10W 22ohm J T	R135	1
263	E-R-0405-7003	2253275096	RES,CHIP 1/10W	RC 0603 1/10W 75ohm J T	R137	1
264		2379380006	BEAD,HI-IMPEDANCE	Z=80ohm(200MHz~) 0603 200mA	R139	1
265		2379380006	BEAD,HI-IMPEDANCE	Z=80ohm(200MHz~) 0603 200mA	R141	1
266	E-R-0405-6600	2253200096	RES,CHIP 1/10W	RC 0603 1/10W 0ohm J T	R142	1
267	E-R-0405-6603	2253222096	RES,CHIP 1/10W	RC 0603 1/10W 22ohm J T	R143	1
268	E-R-0405-6601	2253210596	RES,CHIP 1/10W	RC 0603 1/10W 1Mohm J T	R144	1
269	E-R-0405-6419	2253247296	RES,CHIP 1/10W	RC 0603 1/10W 4.7Kohm J T	R145	1
270	E-R-0405-6419	2253247296	RES,CHIP 1/10W	RC 0603 1/10W 4.7Kohm J T	R146	1
271	E-R-0405-6411	2253210396	RES,CHIP 1/10W	RC 0603 1/10W 10Kohm J T	R153	1
272	E-R-0405-6606	2253233196	RES,CHIP 1/10W	RC 0603 1/10W 330ohm J T	R154	1
273	E-R-0405-6602	2253215196	RES,CHIP 1/10W	RC 0603 1/10W 150ohm J T	R155	1
274	E-R-0405-6602	2253215196	RES,CHIP 1/10W	RC 0603 1/10W 150ohm J T	R156	1
275	E-R-0405-6602	2253215196	RES,CHIP 1/10W	RC 0603 1/10W 150ohm J T	R157	1
276	E-R-0405-6602	2253215196	RES,CHIP 1/10W	RC 0603 1/10W 150ohm J T	R158	1
277	E-R-0405-6602	2253215196	RES,CHIP 1/10W	RC 0603 1/10W 150ohm J T	R159	1
278	E-R-0405-6602	2253215196	RES,CHIP 1/10W	RC 0603 1/10W 150ohm J T	R160	1
279	E-R-0405-6602	2253215196	RES,CHIP 1/10W	RC 0603 1/10W 150ohm J T	R161	1
280	E-R-0405-6411	2253210396	RES,CHIP 1/10W	RC 0603 1/10W 10Kohm J T	R162	1
281	E-R-0405-6606	2253233196	RES,CHIP 1/10W	RC 0603 1/10W 330ohm J T	R163	1
282	E-R-0405-6419	2253247296	RES,CHIP 1/10W	RC 0603 1/10W 4.7Kohm J T	R165	1
283	E-R-0405-6419	2253247296	RES,CHIP 1/10W	RC 0603 1/10W 4.7Kohm J T	R166	1
284	E-R-0405-6410	2253210296	RES,CHIP 1/10W	RC 0603 1/10W 1Kohm J T	R168	1
285	E-R-0405-6410	2253210296	RES,CHIP 1/10W	RC 0603 1/10W 1Kohm J T	R169	1
286	E-R-0405-6416	2253233296	RES,CHIP 1/10W	RC 0603 1/10W 3.3Kohm J T	R171	1
287	E-R-0405-6419	2253247296	RES,CHIP 1/10W	RC 0603 1/10W 4.7Kohm J T	R172	1
288	E-R-0405-6410	2253210296	RES,CHIP 1/10W	RC 0603 1/10W 1Kohm J T	R173	1
289	E-R-0405-6600	2253200096	RES,CHIP 1/10W	RC 0603 1/10W 0ohm J T	R183	1
290	E-R-0405-6419	2253247296	RES,CHIP 1/10W	RC 0603 1/10W 4.7Kohm J T	R187	1
291	E-R-0405-6419	2253247296	RES,CHIP 1/10W	RC 0603 1/10W 4.7Kohm J T	R188	1
292	E-R-0405-6419	2253247296	RES,CHIP 1/10W	RC 0603 1/10W 4.7Kohm J T	R189	1
293	E-R-0405-6419	2253247296	RES,CHIP 1/10W	RC 0603 1/10W 4.7Kohm J T	R190	1
294	E-R-0405-6419	2253247296	RES,CHIP 1/10W	RC 0603 1/10W 4.7Kohm J T	R191	1
295	E-R-0405-6984	2253210496	RES,CHIP 1/10W	RC 0603 1/10W 100Kohm J T	R194	1
296	E-R-0405-6604	2253222296	RES,CHIP 1/10W	RC 0603 1/10W 2.2Kohm J T	R195	1
297	E-R-0405-6419	2253247296	RES,CHIP 1/10W	RC 0603 1/10W 4.7Kohm J T	R196	1
298	E-R-0405-6419	2253247296	RES,CHIP 1/10W	RC 0603 1/10W 4.7Kohm J T	R197	1
299	E-R-0405-6419	2253247296	RES,CHIP 1/10W	RC 0603 1/10W 4.7Kohm J T	R198	1
300	E-R-0405-6411	2253210396	RES,CHIP 1/10W	RC 0603 1/10W 10Kohm J T	R200	1
301		2251243216	RES,CHIP 1/10	RC 0603 1/10W 4.32Kohm F T	R201	1
302	E-R-0405-6410	2253210296	RES,CHIP 1/10W	RC 0603 1/10W 1Kohm J T	R202	1
303		2251220026	RES,CHIP 1/10	RC 0603 1/10W 20Kohm F T	R205	1
304	E-R-0405-6411	2253210396	RES,CHIP 1/10W	RC 0603 1/10W 10Kohm J T	R206	1
305		2253236396	RES,CHIP 1/10W	RC 0603 1/10W 36Kohm J T	R207	1
306		2253256296	RES,CHIP 1/10W	RC 0603 1/10W 5.6Kohm J T	R209	1
307		2253211196	RES,CHIP 1/10W	RC 0603 1/10W 110ohm J T	R210	1
308		2253212396	RES,CHIP 1/10W	RC 0603 1/10W 12Kohm J T	R211	1
309		2251233016	RES,CHIP 1/10	RC 0603 1/10W 3.3Kohm F T	R212	1
310	E-R-0405-6416	2253233296	RES,CHIP 1/10W	RC 0603 1/10W 3.3Kohm J T	R213	1
311		2251214716	RES,CHIP 1/10	RC 0603 1/10W 1.47Kohm F T	R215	1
312		2251211516	RES,CHIP 1/10	RC 0603 1/10W 1.15Kohm F T	R216	1
313	E-R-0405-6416	2253233296	RES,CHIP 1/10W	RC 0603 1/10W 3.3Kohm J T	R217	1
314		2251221026	RES,CHIP 1/10	RC 0603 1/10W 21Kohm F T	R218	1
315		2251233016	RES,CHIP 1/10	RC 0603 1/10W 3.3Kohm F T	R219	1
316	E-R-0405-6411	2253210396	RES,CHIP 1/10W	RC 0603 1/10W 10Kohm J T	R221	1
317		2253436196	RES,CHIP 1/4	RC 1206 1/4 W 360ohm J T	R222	1
318		2253436196	RES,CHIP 1/4	RC 1206 1/4 W 360ohm J T	R223	1
319	E-R-0405-6600	2253200096	RES,CHIP 1/10W	RC 0603 1/10W 0ohm J T	R224	1
320	E-R-0405-6984	2253210496	RES,CHIP 1/10W	RC 0603 1/10W 100Kohm J T	R225	1
321		2253410096	RES,CHIP 1/4	RC 1206 1/4 W 10ohm J T	R226	1
322	E-R-0405-6600	2253200096	RES,CHIP 1/10W	RC 0603 1/10W 0ohm J T	R227	1
323	E-R-0405-6411	2253210396	RES,CHIP 1/10W	RC 0603 1/10W 10Kohm J T	R228	1
324	E-R-0405-6606	2253233196	RES,CHIP 1/10W	RC 0603 1/10W 330ohm J T	R229	1

Item	VIEWSONIC P/N	Ref.No.	DESCRIPTION	SPECIFICATION	LOC	QTY
325	B-MB-0201-0745	2202510402	PCB MULTILAYER	166L14 M/B FR4*4 110*136 3.12	U001	1
326		2056603050	SERIAL LABEL	VIEWSONIC LCD SERIAL LABEL	6P56	4
327		2720111700	V-TYPE-MAIN	VE155(S)	BA52	1
328	E-IC-0401-0836	2365307391	IC,LINEAR	TL431CLP MOTOROLA	I106	1
329	E-IC-0401-2152	2365321991	IC,LINEAR	KA431AZTA TO-92 FAIRCHILD	I106	1
330		2365328191	IC,LINEAR	AP431VA TO-92 ATC	I106	1
331	E-IC-0401-0836	2365307391	IC,LINEAR	TL431CLP MOTOROLA	I109	1
332	E-IC-0401-2152	2365321991	IC,LINEAR	KA431AZTA TO-92 FAIRCHILD	I109	1
333		2365328191	IC,LINEAR	AP431VA TO-92 ATC	I109	1
334	E-IC-0401-0836	2365307391	IC,LINEAR	TL431CLP MOTOROLA	I110	1
335	E-IC-0401-2152	2365321991	IC,LINEAR	KA431AZTA TO-92 FAIRCHILD	I110	1
336		2365328191	IC,LINEAR	AP431VA TO-92 ATC	I110	1
337	E-Q-0402-0839	2361111191	XISTOR_PNP R	2SA1020(Y) TOSHIBA	Q104	1
338	E-Q-0402-0839	2361111191	XISTOR_PNP R	2SA1020(Y) TOSHIBA	Q114	1
339		2720211700	H-TYPE-MAIN	VE155(S)	BA53	1
340		2333322613	CAP,ELE 105°C	EC 22u/ 16V 5*11 P=2.5 T	C114	1
341		2333322613	CAP,ELE 105°C	EC 22u/ 16V 5*11 P=2.5 T	C116	1
342		2333610613	CAP,ELE 105°C	EC 10u/ 50V 5*11 P=2.5 T	C117	1
343		2333322613	CAP,ELE 105°C	EC 22u/ 16V 5*11 P=2.5 T	C118	1
344		2333322613	CAP,ELE 105°C	EC 22u/ 16V 5*11 P=2.5 T	C119	1
345		2333610613	CAP,ELE 105°C	EC 10u/ 50V 5*11 P=2.5 T	C121	1
346		2333610613	CAP,ELE 105°C	EC 10u/ 50V 5*11 P=2.5 T	C126	1
347		2333610613	CAP,ELE 105°C	EC 10u/ 50V 5*11 P=2.5 T	C140	1
348		2333610613	CAP,ELE 105°C	EC 10u/ 50V 5*11 P=2.5 T	C160	1
349		2333610513	CAP,ELE 105°C	EC 1u/ 50V 5*11 P=2.5 T	C164	1
350		2333610613	CAP,ELE 105°C	EC 10u/ 50V 5*11 P=2.5 T	C214	1
351		2333610613	CAP,ELE 105°C	EC 10u/ 50V 5*11 P=2.5 T	C215	1
352		2333610613	CAP,ELE 105°C	EC 10u/ 50V 5*11 P=2.5 T	C216	1
353		2333610613	CAP,ELE 105°C	EC 10u/ 50V 5*11 P=2.5 T	C217	1
354		2333610613	CAP,ELE 105°C	EC 10u/ 50V 5*11 P=2.5 T	C218	1
355		2333610613	CAP,ELE 105°C	EC 10u/ 50V 5*11 P=2.5 T	C301	1
356		2333610613	CAP,ELE 105°C	EC 10u/ 50V 5*11 P=2.5 T	C302	1
357		2333610613	CAP,ELE 105°C	EC 10u/ 50V 5*11 P=2.5 T	C303	1
358		2333610613	CAP,ELE 105°C	EC 10u/ 50V 5*11 P=2.5 T	C309	1
359		2333610613	CAP,ELE 105°C	EC 10u/ 50V 5*11 P=2.5 T	C311	1
360		2333610613	CAP,ELE 105°C	EC 10u/ 50V 5*11 P=2.5 T	C314	1
361		2333610513	CAP,ELE 105°C	EC 1u/ 50V 5*11 P=2.5 T	C316	1
362		2333610513	CAP,ELE 105°C	EC 1u/ 50V 5*11 P=2.5 T	C317	1
363	E-L-0407-0013	2379101495	FERRITE CORE	3.5X9X0.8	L109	1
364	E-L-0407-0013	2379101495	FERRITE CORE	3.5X9X0.8	L113	1
365		2710111700	MANUAL INSERT-MAIN	VE155(S)	BA42	1
366	E-C-0404-4218	2333322701	CAP,ELE 105°C	EC 220u/ 16V 8*11 P=3.5 C	C115	1
367	E-C-0404-3890	2333347701	CAP,ELE 105°C	EC 470u/ 16V 10*12.5 P=5.0 C	C282	1
368	E-C-0404-3890	2333347701	CAP,ELE 105°C	EC 470u/ 16V 10*12.5 P=5.0 C	C288	1
369	E-C-0404-4222	2336322701	CAP,MINI ELE105°C	EC 220u/ 16V 8*9 P=3.5 C	C307	1
370		2335310711	CAP,ELE LOW ESR 105°C	EC 100u/ 16V 6.3*11 P=2.5 C	C308	1
371		2336310701	CAP,MINI ELE105°C	EC 100u/ 16V 6.3*7 P=2.5 C	C315	1
372	E-C-0404-4219	2333647601	CAP,ELE 105°C	EC 47u/ 50V 8*11 P=3.5 C	C318	1
373	E-IC-0401-2593	2365924596	IC,DIGITAL SMD	MASCOT VZ MRT 160P PQFP	I001	1
374	E-IC-0401-2015	2365316200	IC,LINEAR	24LC16B DIP-8 MICROCHI	I100	1
375	E-IC-0401-2748	2365424000	IC,DIGITAL	AM24LC16(PDIP-8L) ATC	I100	1
376	E-IC-0401-2017	2365412600	IC,DIGITAL	24LC21A/P MICROCHIP	I102	1
377	E-IC-0401-0867	2365407610	IC,DIGITAL	AT24C21-10PC ATMEL	I102	1
378		2404338112	CONNECTOR	LEOCO 2011P 13PIN P=2.0	J101	1
379	M-MS-0808-6355	2404301107	CONNECTOR	JST PH 8P SIDE P=2.0 OR EQUAL	J103	1
380		2404338104	CONNECTOR	LEOCO 2011P 5PIN P=2.0	J108	1
381		2404301004	CONNECTOR	JST XH 5P SIDE P=2.5 OR EQUAL	J110	1
382		2371106400	COIL,CHOKE	LS-SH01C-016 33uH+-10% LI SHIN	L111	1
383		2226510200	RES,SEMI FIX	0.3W B 1K K	R214	1
384	E-X-0415-0119	2369103601	XTAL,OSC	XTAL 12MHZ CL30P H/S	X100	1
385	E-X-0415-0119	2369103601	XTAL,OSC	XTAL 12MHZ CL30P H/S	X101	1
386		2710211700	PROCESS-MAIN	VE155(S)	BA43	1
387		2702211700	PCB-CON	VE155(S)	BB31	1
388		2704211700	AUTO INSERT-CON	VE155(S)	BB41	1
389		2720611700	V-TYPE-CON	VE155(S)	BB52	1

Item	VIEWSONIC P/N	Ref.No.	DESCRIPTION	SPECIFICATION	LOC	QTY
390		2363703891	LED	LED 3φ GRN/YEL	D701	1
391		2720711700	H-TYPE-CON	VE155(S)	BB53	1
392	M-WR-0828-0450	2428106075	JUMPER	0.6φ7.50MM	J701	1
393	M-WR-0828-0450	2428106075	JUMPER	0.6φ7.50MM	J702	1
394		2403702513	SWITCH,TACT	TSTA-2 4.3mm 160g HUA JIE	S701	1
395		2403702513	SWITCH,TACT	TSTA-2 4.3mm 160g HUA JIE	S702	1
396		2403702513	SWITCH,TACT	TSTA-2 4.3mm 160g HUA JIE	S703	1
397		2403702513	SWITCH,TACT	TSTA-2 4.3mm 160g HUA JIE	S704	1
398		2403702513	SWITCH,TACT	TSTA-2 4.3mm 160g HUA JIE	S705	1
399		2202120102	PC BOARD	VE155 K/B CEM1 140*15 3.00	U701	1
400		2710611700	MANUAL INSERT-CON	VE155(S)	BB42	1
401		2427408181	WIRE HARNESS	8P H/B 1061#26 L=180mm P=2.0	P982	1
402		2702311700	PCB POWER	VE155(S)	BC31	1
403		2704311700	AUTO INSERT-POWER	VE155(S)	BC41	1
404		2721111700	V-TYPE-POWER	VE155(S)	BC52	1
405		2307422312	CAP,MTL	MC MPP 0.022u/400V J P=10.0 K	C806	1
406		2285168091	CAP,CER	CK45B 68.000PF 1KV K T	C807	1
407	E-C-0404-4219	2333647601	CAP,ELE 105°C	EC 47u/ 50V 8*11 P=3.5 C	C808	1
408	E-C-0404-4833	2281110491	CAP,CER	CK45B 0.100UF 50V K T	C809	1
409		2302133391	CAP,MTL	CF93M 0.033UF 100V J T	C810	1
410		2330003501	CAP,MINI ELE	1500uF/10V 105C	C813	1
411		2330003501	CAP,MINI ELE	1500uF/10V 105C	C814	1
412		2330003501	CAP,MINI ELE	1500uF/10V 105C	C815	1
413	E-C-0404-3891	2335210812	CAP,ELE LOE ESR 105°C	EC 1000u/ 10V10*17 P=5.0 K	C817	1
414	E-C-0404-1861	2281110291	CAP,CER	CK45B 1000.000PF 50V K T	C819	1
415	E-C-0404-1569	2301310491	CAP,MTL	CF93M 0.100UF 63V J T	C820	1
416		2283122291	CAP,CER	CK45B 2200.000PF 500V K T	C822	1
417	M-MS-0808-1313	2407200791	HOLDER,FUSE	FC-05C	F802	1
418		2407200991	HOLDER,FUSE	CQ-05T (5mm DIA FUSE)	F802	1
419	E-IC-0401-0836	2365307391	IC,LINEAR	TL431CLP MOTOROLA	I803	1
420	E-IC-0401-2152	2365321991	IC,LINEAR	KA431AZTA TO-92 FAIRCHILD	I803	1
421		2721211700	H-TYPE-POWER	VE155(S)	BC53	1
422		2363223195	DIODE,RECT	UF4007 GS	D802	1
423		2363231995	DIODE,RECT	UF4007 PEC	D802	1
424		2363223095	DIODE,RECT	UF4005 GS	D803	1
425	E-D-0403-1496	2363221495	DIODE,RECT	UF4005G PEC.	D803	1
426	E-D-0403-1109	2363506395	DIODE,ZENER	HZ15-2 14.5-15.1V 0.5W HITACHI	D806	1
427	E-D-0403-1622	2363506495	DIODE,ZENER	MTZJ15C 14.35-15.09V ROHM	D806	1
428		2363504595	DIODE,ZENER	HZ7-A3 6.6V-6.9V 0.5W HITACHI	D807	1
429	E-D-0403-1784	2363516095	DIODE,ZENER	MTZJ6.2C 6.12-6.44V ROHM	D807	1
430	M-WR-0828-0460	2428106125	JUMPER	0.6φ12.50MM	J803	1
431	M-WR-0828-0460	2428106125	JUMPER	0.6φ12.50MM	J804	1
432	M-WR-0828-0478	2428106100	JUMPER	0.6φ10.00MM	J805	1
433	M-WR-0828-0451	2428106150	JUMPER	0.6φ15.00MM	J806	1
434	M-WR-0828-0455	2428106050	JUMPER	0.6φ5.00MM	J807	1
435	M-WR-0828-0455	2428106050	JUMPER	0.6φ5.00MM	L801	1
436	E-L-0407-0013	2379101495	FERRITE CORE	3.5X9X0.8	L802	1
437	M-WR-0828-0455	2428106050	JUMPER	0.6φ5.00MM	L803	1
438	E-R-0405-5177	2232610595	RES,CBN 1/2	RD 1/2W 1.00M J T52 MINI	R801	1
439		2239234815	RES,PRE 1/4 S	RN 1/4WS 3.48K F T52 MINI	R806	1
440	M-WR-0828-0450	2428106075	JUMPER	0.6φ7.50MM	R807	1
441		2247315095	RES,FUSE 1/2	RF 1/2W 15.00 J T52	R809	1
442	E-R-0405-0748	2239220025	RES,PRE 1/4 S	RN 1/4WS 20.00K F T52 MINI	R810	1
443	E-R-0405-4716	2239247015	RES,PRE 1/4 S	RN 1/4WS 4.70K F T52 MINI	R811	1
444		2239224315	RES,PRE 1/4 S	RN 1/4WS 2.43K F	R812	1
445	E-R-0405-1757	2233410195	RES,CBN 1/4 S	RD 1/4WS 100.00 J T52 MINI	R813	1
446	E-R-0405-0727	2239222015	RES,PRE 1/4 S	RN 1/4WS 2.20K F T52 MINI	R814	1
447		2247412195	RES,FUSE 1	RF 1W 120.00 J T52	R815	1
448	E-R-0405-0718	2232610095	RES,CBN 1/2	RD 1/2W 10.00 J T52 MINI	R816	1
449	E-R-0405-3235	2233410295	RES,CBN 1/4 S	RD 1/4WS 1.00K J T52 MINI	R817	1
450	E-R-0405-3215	2233447195	RES,CBN 1/4 S	RD 1/4WS 470.00 J T52 MINI	R841	1
451		2202121101	PC BOARD	MD96851 P/B CEM1 170*58 2.00	U801	1
452		2711111700	MANUAL INSERT-POWER	VE155(S)	BC42	1
453	E-C-0404-4834	2300922401	CAP,MTL MINI	0.220UF 275V M	C801	1
454		2330004001	CAP,MINI ELE	100u/400VPS 18*32 ELITE 1	C812	0

Item	VIEWSONIC P/N	Ref.No.	DESCRIPTION	SPECIFICATION	LOC	QTY
455		2330005401	CAP,MINI ELE	100u/400V ZT105°C 18*36 HEC	C812	1
456	E-C-0404-4834	2300922401	CAP,MTL MINI	0.220UF 275V M	C824	1
457		2368502200	RECT,BRIDGE	GSIB460 4A/600V GS	D801	1
458		2368502100	RECT,BRIDGE	KB14J 4A/600V CHENMKO	D801	1
459		2363300212	DIODE,SCHOTTKY	31DQ06 NI	D805	1
460	E-FS-0410-0009	2213125207	FUSE	FUSE 2.5A/250V 21502.5 LITTEL	F801	1
461	E-PC-0411-0083	2362401800	PHOTO COUPLR	TLP621(D4-GR-LF2) TOSHIBA	I802	1
462	E-PC-0411-0082	2362401600	PHOTO COUPLR	TLP721F(D4-GR) TOSHIBA	I802	1
463	E-L-0407-0499	2371131000	COIL,CHOKE	JD156G 15UH 21.5T REF	L804	1
464		2371157700	COIL,CHOKE	JT166S UU-10.5	L805	1
465		2404339301	CONNECTOR	LEOCO 3951-01(V) 2PIN P=3.96	P801	1
466		2427412613	WIRE HARNESS	5P(2.5) H/B 1007#22 90L	P802	1
467		2235643417	RES,MTL 3	RS 3WS 430Kohm J P=25	R804	1
468		2235847300	RES,MTL 5	RS 5W 47Kohm J	R805	1
469	E-TH-0416-0042	2229201212	THERMISTOR,PTH	SCK-103 10+-20% 3A THINKING	R840	1
470	E-TH-0416-0043	2229400612	THERMISTOR,NTC	NTC UPPERMOST N10SP010***-K2	R840	1
471		2374208200	XFORMER,POWR	ERL-28 L=1.2mH HJC	T801	1
472		2711211700	PROCESS-POWER	VE155(S)	BC43	1
473	E-C-0404-1855	2287247212	CAP,CER	CK45F 4700.000PF 250VAC M KC	C802	1
474	E-C-0404-1855	2287247212	CAP,CER	CK45F 4700.000PF 250VAC M KC	C803	1
475	E-C-0404-1855	2287247212	CAP,CER	CK45F 4700.000PF 250VAC M KC	C823	1
476		2363225500	DIODE,RECT	FCH20A10 20A/100V TO-220AB	D804	1
477		2368400100	RECT,SCHOTTKY	SB20100F PEC	D804	1
478	E-IC-0401-2776	2365327413	IC,LINEAR	KA5M0365R-YDTU FAIRCHILD FORM	I801	1
479		2504250600	ADHESI TAPE	3M #1350 W=90mm Yellow	K920	1
480		2504250600	ADHESI TAPE	3M #1350 W=90mm Yellow	K921	1
481		2072258100	HEAT SINK	AL-6063S t=1.5mm	9H01	2
482		2429150100	TUBE,SILICON	JT156D2 TO-220ST 0.4mm	9R81	1
483		2429350300	TUBING,H-SRK	φ12*20MM FOR ADAPTOR	9R82	1
484		2429350300	TUBING,H-SRK	φ12*20MM FOR ADAPTOR	9R83	1
485		2429350300	TUBING,H-SRK	φ12*20MM FOR ADAPTOR	9R84	1
486		2105250700	SPRING PLATE	SUS 301	9S01	1
487	M-SCW-0824-0285	2084730082	SCREW,BND T+	M3X8(BND T+)	9S02	1
488	M-SCW-0824-0285	2084730082	SCREW,BND T+	M3X8(BND T+)	9S03	4
489		2711311700	MI OTHER-POWER	VE155(S)	BC49	1
490		2056603050	SERIAL LABEL	VIEWSONIC LCD SERIAL LABEL	6P55	1
491	C-FP-0301-0379	2701511700	FRONT ASS'Y	VE155(S)	B022	1
492	C-FP-0301-0380	2708111700	FRONT BEZEL	VE155(S)	BT31	1
493	C-FP-0301-0376	2024262106	FRONT BEZEL	VE155S/ABS+PC SILVER	1F01	1
494	M-MS-0808-8180	2053751901	LED INDIC.-PWR	VE150-2/PMMA 94HB	1F02	1
495	PL-FK-0709-0128	2044260902	FUNCTION KEY	VA520-2/ABS 94V0 SILVER	1F03	1
496		2056603050	SERIAL LABEL	VIEWSONIC LCD SERIAL LABEL	6P54	1
497		2718111700	LCD PANEL ASS'Y	VE155(S)	BT32	1
498	M-LCD-0826-0113	2212002400	LCD PANEL	CLAA150XG 02 CPT	V901	1
499		2080002200	SCREW,SPE	L355 M3x6 DH NICKEL-PLATED	1F09	8
500		2071960601	METAL FITTG	VE155/CPT PANEL SECC t=0.8	1F10	1
501	M-SCW-0824-0437	2082730062	SCREW,BND+	M3X6(BND+)	1F12	4
502		2071662100	SHIELD PLATE	SPTE t=0.3mm SLIM PANEL CPT	1F13	1
503	M-SCW-0824-0437	2082730062	SCREW,BND+	M3X6(BND+)	1F14	1
504		2081430062	SCREW,(WASH)	M3X6 P=0.5(TOOTH WASHER)	1F15	4
505	M-SCW-0824-0437	2082730062	SCREW,BND+	M3X6(BND+)	1F16	2
506		2071659501	SHIELD PLATE	SPTE t=0.3mm	1F17	1
507	M-SCW-0824-0437	2082730062	SCREW,BND+	M3X6(BND+)	1F18	1
508		2071958700	METAL FITTG	SECC t=0.8mm JT166S1	1F21	1
509		2081430082	SCREW,(WASH)	M3X8 P=0.5(TOOTH,WASHER)	1F22	2
510		2080002300	SCREW,SPE	L355 M3*8 DH NICKEL-PLATED	1F23	2
511	M-SCW-0824-0439	2085730082	SCREW,B OTW+	SCREW B OTW+ M3X8	1F24	2
512	M-MS-0808-5476	2072450100	INSULATOR	JT166E PC 185LX25.3WX14.6HX.2t	1F26	1
513		2081430062	SCREW,(WASH)	M3X6 P=0.5(TOOTH WASHER)	1F27	1
514	PL-HD-0705-0116	2074191000	HOLDER	JK1461 JEAN	1F28	1
515		2063451102	ADHESI SHEET	27.2x42.4 PVC COLOR:BLACK	1F31	1
516	M-SCW-0824-0493	2085740082	SCREW,B OTW+	SCREW B OTW+ M4X8	1F32	1
517		2072452900	INSULATOR	VE155/MYLAR t=0.2 PC ABS 94V0	9R02	1
518		2718511700	FRONT OTHER	VE155(S)	BT39	1
519	A-VIO-0118-0030	2427501151	I/O CABLE	D15/C13 20276(3+6) 1.83M BLK	P961	1



Item	VIEWSONIC P/N	Ref.No.	DESCRIPTION	SPECIFICATION	LOC	QTY
520		2420309001	FFC CABLE	90L*25.5W*0.05T 0.3W*0.5P*50N	P980	1
521		2420309001	FFC CABLE	90L*25.5W*0.05T 0.3W*0.5P*50N	P981	1
522		2427412582	WIRE HARNESS	JST PHR-5P*2 2464#24*6C 260L	P983	1
523		2407000100	SOCKET,ASSY	INLET/CON 1015#18 L=130	P985	1
524	B-SB-0221-0444	2414500900	INVERTER	CDA-2103H01 CHI SAM	U901	1
525	B-SB-0221-0443	2414500700	INVERTER	L0070 SAMPO	U901	1
526	M-SCW-0824-0285	2084730082	SCREW,BND T+	M3X8(BND T+)	1F04	2
527	M-MS-0808-4026	2051350200	NAME PLATE	JD144V3 VIEWSONIC 3BIRDS AL	1F05	1
528	M-SCW-0824-0285	2084730082	SCREW,BND T+	M3X8(BND T+)	1F11	7
529	M-SCW-0824-0285	2084730082	SCREW,BND T+	M3X8(BND T+)	1F19	2
530		2084740082	SCREW,BND T+	M4X8(BND T+)	1F20	1
531	M-SCW-0824-0261	2084730142	SCREW,BND T+	M3X14(BND T+)	1F25	1
532	M-SCW-0824-0123	2084740102	SCREW,BND T+	M4X10(BND T+)	1F29	2
533	M-SCW-0824-0437	2082730062	SCREW,BND+	M3X6(BND+)	1F30	2
534	M-SCW-0824-0493	2085740082	SCREW,B OTW+	SCREW B OTW+ M4X8	2C21	4
535		2701611700	FINAL ASS'Y	VE155(S)	B023	1
536	C-BC-0302-0520	2708611700	CABI BACK	VE155(S)	BN31	1
537	C-BC-0302-0388	2022258804	CABI BACK	PC+ABS 94V0 BLACK 4001+SILVER	2C01	1
538		2084740104	SCREW,BND T+	M4X10(BND T+) (BLK)	2C02	3
539	M-MS-0808-6316	2071958300	METAL FITTG	VE170 KENSINGTON	2C10	1
540	M-CV-0830-2466	2027255103	DUST COVER	VA520-2/ASB 94HB BLACK 4001	2C24	1
541		2055636017	LABEL	VE155S VLCDS23585-2W	6P05	1
542		2055131700	LABEL	VE155S VLCDS23585-2W 030331	6P50	1
543	C-BS-0303-0379	2718611700	STAND ASS'Y	VE155(S)	BN32	1
544		2106652901	HINGE	VE155 0'~90'	2C20	1
545		2106652902	HINGE	VE155/0'~90'	2C20	1
546	PL-PS-0715-0188	2028254603	STAND	VA520-2/ABS 94HB BLACK 4001	5B01	1
547	PL-PD-0714-0069	2039802303	FOOT PAD	VA520 CR420xφ16.5x5.8 BLACK	5B02	4
548	M-SCW-0824-0123	2084740102	SCREW,BND T+	M4X10(BND T+)	5B03	4
549	M-CV-0830-2465	2027255003	DUST COVER	VA520(2)/ABS 94HB BLACK 4001	5B04	1
550		2071960702	METAL FITTG	VE155 STAND SECC t=2mm	5B06	1
551	M-SCW-0824-0285	2084730082	SCREW,BND T+	M3X8(BND T+)	5B07	1
552		2087340126	SCREW,B SPW+	4X12(+ )SWRM-3 ZMC2-C	5B08	4
553		2080002400	SCREW,SPE	VE155/3x8 STAND	5B09	1
554	M-LB-0813-0769	2055613293	LABEL	VIEWSONIC OPEN STAND LABEL-LC	5B10	1
555		2719011700	FINAL OTHER	VE155(S)	BN39	1
556		2084730084	SCREW,BND T+	M3X8(BND T+) (BLK)	2C25	1
557		2700511700	ACCESSORY ASS'Y	VE155(S)	B012	1
558	A-PC-0106-0277	2427130097	POWER CORD	CHINA WALL 1.83M BLACK	P951	1
559	M-MS-0808-5514	2002310301	GUARANT CARD	VIEWSONIC-CHINA WARRANTY CAR	6P07	1
560		2056606021	SERIAL LABEL	VS WARRANTY CARD SERIAL NO-J	6P08	1
561	A-CD-VE155S	2438501106	CD-OWNER GUIDE	VE155S WIZARD DATE:2003/03/03	6P80	1
562		2002310336	GUARANT CARD	VIEWSONIC VE155S QSG 030303	6P84	1
563		2700611700	PACKING ASS'Y	VE155(S)	B013	1
564	P-BX-0601-0861	2011168010	CARTON BOX	VE155S VLCDS23585-2W 030303	6P01	1
565		2055632026	LABEL	VE155S VLCDS23585-2W	6P02	1
566		2013150901	POLYETHY BAG	700LX600WX0.03tmm PE-LD ADD>PE	6P04	1
567		2055613324	LABEL	VIEWSONIC LCD-15 3C STICKER	6P09	1
568		2011168009	CARTON BOX	VE155/VA520 PALLET BOX	6P10	24
569	P-FM-0602-0722	2012163600	POLYFOAM	VE150-2 POLYFOAM(L) EPS	6P20	1
570	P-FM-0602-0723	2012163700	POLYFOAM	VE150-2 POLYFOAM(R) EPS	6P21	1
571		2056603050	SERIAL LABEL	VIEWSONIC LCD SERIAL LABEL	6P51	1
572	M-LB-0813-0528	2055103400	LABEL	JK0936F WEN	6P52	1
573		2013051800	POLYETHY BAG	JT166A14 500LX470WX490H t=0.08	6P70	1
574		2013222536	POLYETHY BAG	250mmx350mmxt0.3 ADD>PE-LD<	6P81	1
575	M-MS-0808-6048	2002310143	GUARANT CARD	COLOR KEY	6P82	1

## VE500-2

Item	Ref. P/N.	Ref. P/N.	Description	Location	Specification	Pcs
1		2700112100	SET ASS'Y	B011	VE500(2)	1
2		2701111700	PCB ASS'Y	B021	VE155(S)	1
3		2702111700	PCB-MAIN	BA31	VE155(S)	1
4		2704111700	AUTO INSERT-MAIN	BA41	VE155(S)	1
5		2706111700	SMT-MAIN	BA51	VE155(S)	1
6		2340733008	CAP.ARRAY P=0.8 85°C	CP01	1206Y5V 33.000PF 16V M 8P	1
7		2340733008	CAP.ARRAY P=0.8 85°C	CP02	1206Y5V 33.000PF 16V M 8P	1
8		2340733008	CAP.ARRAY P=0.8 85°C	CP03	1206Y5V 33.000PF 16V M 8P	1
9		2340733008	CAP.ARRAY P=0.8 85°C	CP04	1206Y5V 33.000PF 16V M 8P	1
10		2340733008	CAP.ARRAY P=0.8 85°C	CP05	1206Y5V 33.000PF 16V M 8P	1
11		2340733008	CAP.ARRAY P=0.8 85°C	CP06	1206Y5V 33.000PF 16V M 8P	1
12		2340733008	CAP.ARRAY P=0.8 85°C	CP07	1206Y5V 33.000PF 16V M 8P	1
13		2340733008	CAP.ARRAY P=0.8 85°C	CP08	1206Y5V 33.000PF 16V M 8P	1
14		2340733008	CAP.ARRAY P=0.8 85°C	CP09	1206Y5V 33.000PF 16V M 8P	1
15		2340733008	CAP.ARRAY P=0.8 85°C	CP10	1206Y5V 33.000PF 16V M 8P	1
16		2340733008	CAP.ARRAY P=0.8 85°C	CP11	1206Y5V 33.000PF 16V M 8P	1
17		2340733008	CAP.ARRAY P=0.8 85°C	CP12	1206Y5V 33.000PF 16V M 8P	1
18		2341168196	CAP.CHIP 125°C	C090	CS 0603/COG/50V 680p J T	1
19		2346168296	CAP.CHIP 125°C	C091	CS 0603/X7R/50V 6800p K T	1
20	E-C-0404-3815	2346410496	CAP.CHIP 85°C	C101	CS 0603/Y5V/50V 0.1u Z T	1
21	E-C-0404-3815	2346410496	CAP.CHIP 85°C	C102	CS 0603/Y5V/50V 0.1u Z T	1
22	E-C-0404-3815	2346410496	CAP.CHIP 85°C	C103	CS 0603/Y5V/50V 0.1u Z T	1
23	E-C-0404-3900	2341133096	CAP.CHIP 125°C	C104	CS 0603/COG/50V 33p J T	1
24	E-C-0404-3898	2341110096	CAP.CHIP 125°C	C108	CS 0603/COG/50V 10p J T	1
25	E-C-0404-3815	2346410496	CAP.CHIP 85°C	C109	CS 0603/Y5V/50V 0.1u Z T	1
26		2341115196	CAP.CHIP 125°C	C110	CS 0603/COG/50V 150p J T	1
27	E-C-0404-3900	2341133096	CAP.CHIP 125°C	C111	CS 0603/COG/50V 33p J T	1
28	E-C-0404-3815	2346410496	CAP.CHIP 85°C	C112	CS 0603/Y5V/50V 0.1u Z T	1
29	E-C-0404-3815	2346410496	CAP.CHIP 85°C	C113	CS 0603/Y5V/50V 0.1u Z T	1
30	E-C-0404-3815	2346410496	CAP.CHIP 85°C	C120	CS 0603/Y5V/50V 0.1u Z T	1
31	E-C-0404-3815	2346410496	CAP.CHIP 85°C	C122	CS 0603/Y5V/50V 0.1u Z T	1
32	E-C-0404-3815	2346410496	CAP.CHIP 85°C	C123	CS 0603/Y5V/50V 0.1u Z T	1
33	E-C-0404-3815	2346410496	CAP.CHIP 85°C	C124	CS 0603/Y5V/50V 0.1u Z T	1
34	E-C-0404-3815	2346410496	CAP.CHIP 85°C	C125	CS 0603/Y5V/50V 0.1u Z T	1
35	E-C-0404-3815	2346410496	CAP.CHIP 85°C	C127	CS 0603/Y5V/50V 0.1u Z T	1
36	E-C-0404-3815	2346410496	CAP.CHIP 85°C	C128	CS 0603/Y5V/50V 0.1u Z T	1
37	E-C-0404-3815	2346410496	CAP.CHIP 85°C	C129	CS 0603/Y5V/50V 0.1u Z T	1
38	E-C-0404-3815	2346410496	CAP.CHIP 85°C	C130	CS 0603/Y5V/50V 0.1u Z T	1
39	E-C-0404-3815	2346410496	CAP.CHIP 85°C	C131	CS 0603/Y5V/50V 0.1u Z T	1
40	E-C-0404-3815	2346410496	CAP.CHIP 85°C	C132	CS 0603/Y5V/50V 0.1u Z T	1
41	E-C-0404-3815	2346410496	CAP.CHIP 85°C	C134	CS 0603/Y5V/50V 0.1u Z T	1
42		2341115196	CAP.CHIP 125°C	C135	CS 0603/COG/50V 150p J T	1
43		2346156296	CAP.CHIP 125°C	C136	CS 0603/X7R/50V 5600p K T	1
44	E-C-0404-4424	2346110396	CAP.CHIP 125°C	C137	CS 0603/X7R/50V 0.01u K T	1
45		2346147296	CAP.CHIP 125°C	C138	CS 0603/X7R/50V 4700p K T	1
46	E-C-0404-3815	2346410496	CAP.CHIP 85°C	C139	CS 0603/Y5V/50V 0.1u Z T	1
47		2346147296	CAP.CHIP 125°C	C141	CS 0603/X7R/50V 4700p K T	1
48	E-C-0404-4424	2346110396	CAP.CHIP 125°C	C142	CS 0603/X7R/50V 0.01u K T	1
49		2346147296	CAP.CHIP 125°C	C143	CS 0603/X7R/50V 4700p K T	1
50	E-C-0404-3815	2346410496	CAP.CHIP 85°C	C144	CS 0603/Y5V/50V 0.1u Z T	1
51	E-C-0404-3815	2346410496	CAP.CHIP 85°C	C145	CS 0603/Y5V/50V 0.1u Z T	1
52	E-C-0404-3815	2346410496	CAP.CHIP 85°C	C146	CS 0603/Y5V/50V 0.1u Z T	1
53	E-C-0404-4423	2341122096	CAP.CHIP 125°C	C147	CS 0603/COG/50V 22p J T	1
54	E-C-0404-4423	2341122096	CAP.CHIP 125°C	C148	CS 0603/COG/50V 22p J T	1
55	E-C-0404-3815	2346410496	CAP.CHIP 85°C	C149	CS 0603/Y5V/50V 0.1u Z T	1
56	E-C-0404-4423	2341122096	CAP.CHIP 125°C	C150	CS 0603/COG/50V 22p J T	1
57	E-C-0404-4423	2341122096	CAP.CHIP 125°C	C151	CS 0603/COG/50V 22p J T	1
58	E-C-0404-3815	2346410496	CAP.CHIP 85°C	C152	CS 0603/Y5V/50V 0.1u Z T	1
59	E-C-0404-3815	2346410496	CAP.CHIP 85°C	C153	CS 0603/Y5V/50V 0.1u Z T	1
60	E-C-0404-3815	2346410496	CAP.CHIP 85°C	C154	CS 0603/Y5V/50V 0.1u Z T	1
61	E-C-0404-3815	2346410496	CAP.CHIP 85°C	C155	CS 0603/Y5V/50V 0.1u Z T	1
62	E-C-0404-3815	2346410496	CAP.CHIP 85°C	C156	CS 0603/Y5V/50V 0.1u Z T	1
63	E-C-0404-3815	2346410496	CAP.CHIP 85°C	C157	CS 0603/Y5V/50V 0.1u Z T	1
64	E-C-0404-4423	2341122096	CAP.CHIP 125°C	C161	CS 0603/COG/50V 22p J T	1
65	E-C-0404-3815	2346410496	CAP.CHIP 85°C	C163	CS 0603/Y5V/50V 0.1u Z T	1
66	E-C-0404-3815	2346410496	CAP.CHIP 85°C	C165	CS 0603/Y5V/50V 0.1u Z T	1
67	E-C-0404-3815	2346410496	CAP.CHIP 85°C	C166	CS 0603/Y5V/50V 0.1u Z T	1
68	E-C-0404-3898	2341110096	CAP.CHIP 125°C	C169	CS 0603/COG/50V 10p J T	1
69	E-C-0404-3898	2341110096	CAP.CHIP 125°C	C170	CS 0603/COG/50V 10p J T	1
70	E-C-0404-3815	2346410496	CAP.CHIP 85°C	C209	CS 0603/Y5V/50V 0.1u Z T	1
71	E-C-0404-3815	2346410496	CAP.CHIP 85°C	C212	CS 0603/Y5V/50V 0.1u Z T	1

Item	Ref. P/N.	Ref. P/N.	Description	Location	Specification	Pcs
72	E-C-0404-3815	2346410496	CAP,CHIP 85°C	C283	CS 0603/Y5V/50V 0.1u Z T	1
73	E-C-0404-3815	2346410496	CAP,CHIP 85°C	C284	CS 0603/Y5V/50V 0.1u Z T	1
74	E-C-0404-3815	2346410496	CAP,CHIP 85°C	C285	CS 0603/Y5V/50V 0.1u Z T	1
75	E-C-0404-3815	2346410496	CAP,CHIP 85°C	C286	CS 0603/Y5V/50V 0.1u Z T	1
76	E-C-0404-3815	2346410496	CAP,CHIP 85°C	C287	CS 0603/Y5V/50V 0.1u Z T	1
77	E-C-0404-3815	2346410496	CAP,CHIP 85°C	C300	CS 0603/Y5V/50V 0.1u Z T	1
78	E-C-0404-3815	2346410496	CAP,CHIP 85°C	C304	CS 0603/Y5V/50V 0.1u Z T	1
79	E-C-0404-4424	2346110396	CAP,CHIP 125°C	C310	CS 0603/X7R/50V 0.01u K T	1
80		2346122396	CAP,CHIP 125°C	C312	CS 0603/X7R/50V 0.022u K T	1
81	E-C-0404-4423	2341122096	CAP,CHIP 125°C	C313	CS 0603/COG/50V 22p J T	1
82	E-C-0404-3815	2346410496	CAP,CHIP 85°C	C321	CS 0603/Y5V/50V 0.1u Z T	1
83	E-D-0403-1892	2364200896	DIODE,RECT(SMD)	D103	BAS32L SOD80C PHILIPS	1
84	E-D-0403-1667	2364600196	DIODE,SWITCH SMD	D103	LL4148 3.5X1.5φ TEMIC GS08	1
85	E-D-0403-1892	2364200896	DIODE,RECT(SMD)	D104	BAS32L SOD80C PHILIPS	1
86	E-D-0403-1667	2364600196	DIODE,SWITCH SMD	D104	LL4148 3.5X1.5φ TEMIC GS08	1
87	E-D-0403-1892	2364200896	DIODE,RECT(SMD)	D105	BAS32L SOD80C PHILIPS	1
88	E-D-0403-1667	2364600196	DIODE,SWITCH SMD	D105	LL4148 3.5X1.5φ TEMIC GS08	1
89	E-D-0403-1779	2364503996	DIODE,ZENER SMD	D106	BZV55-C5V6 PHILIPS	1
90	E-D-0403-1779	2364503996	DIODE,ZENER SMD	D107	BZV55-C5V6 PHILIPS	1
91	E-D-0403-1892	2364200896	DIODE,RECT(SMD)	D108	BAS32L SOD80C PHILIPS	1
92	E-D-0403-1667	2364600196	DIODE,SWITCH SMD	D108	LL4148 3.5X1.5φ TEMIC GS08	1
93	E-D-0403-1892	2364200896	DIODE,RECT(SMD)	D109	BAS32L SOD80C PHILIPS	1
94	E-D-0403-1667	2364600196	DIODE,SWITCH SMD	D109	LL4148 3.5X1.5φ TEMIC GS08	1
95	E-D-0403-1892	2364200896	DIODE,RECT(SMD)	D110	BAS32L SOD80C PHILIPS	1
96	E-D-0403-1667	2364600196	DIODE,SWITCH SMD	D110	LL4148 3.5X1.5φ TEMIC GS08	1
97	E-D-0403-1892	2364200896	DIODE,RECT(SMD)	D111	BAS32L SOD80C PHILIPS	1
98	E-D-0403-1667	2364600196	DIODE,SWITCH SMD	D111	LL4148 3.5X1.5φ TEMIC GS08	1
99	E-D-0403-1892	2364200896	DIODE,RECT(SMD)	D112	BAS32L SOD80C PHILIPS	1
100	E-D-0403-1667	2364600196	DIODE,SWITCH SMD	D112	LL4148 3.5X1.5φ TEMIC GS08	1
101	E-D-0403-1892	2364200896	DIODE,RECT(SMD)	D113	BAS32L SOD80C PHILIPS	1
102	E-D-0403-1667	2364600196	DIODE,SWITCH SMD	D113	LL4148 3.5X1.5φ TEMIC GS08	1
103	E-D-0403-1779	2364503996	DIODE,ZENER SMD	D114	BZV55-C5V6 PHILIPS	1
104	E-D-0403-1779	2364503996	DIODE,ZENER SMD	D115	BZV55-C5V6 PHILIPS	1
105	E-D-0403-1779	2364503996	DIODE,ZENER SMD	D116	BZV55-C5V6 PHILIPS	1
106		2364300896	DIODE,SCHOTTKY(SMD)	D200	EP05Q04-TE8L 0.4A/40V NI	1
107		2364301396	DIODE,SCHOTTKY(SMD)	D200	SS0540 PEC	1
108		2364300896	DIODE,SCHOTTKY(SMD)	D201	EP05Q04-TE8L 0.4A/40V NI	1
109		2364301396	DIODE,SCHOTTKY(SMD)	D201	SS0540 PEC	1
110		2364300896	DIODE,SCHOTTKY(SMD)	D202	EP05Q04-TE8L 0.4A/40V NI	1
111		2364301396	DIODE,SCHOTTKY(SMD)	D202	SS0540 PEC	1
112	E-D-0403-2088	2364201496	DIODE,RECT(SMD)	D203	EC10QS04-TE12L NI	1
113	E-D-0403-2087	2364301296	DIODE,SCHOTTKY(SMD)	D203	SSM14 CHENMKO SMA	1
114	E-IC-0401-2132	2364300896	DIODE,SCHOTTKY(SMD)	D205	EP05Q04-TE8L 0.4A/40V NI	1
115		2364301396	DIODE,SCHOTTKY(SMD)	D205	SS0540 PEC	1
116		2364300896	DIODE,SCHOTTKY(SMD)	D206	EP05Q04-TE8L 0.4A/40V NI	1
117		2364301396	DIODE,SCHOTTKY(SMD)	D206	SS0540 PEC	1
118		2213620204	FUSE SMD	F101	FUSE 2A/24V KE20 DAITO	1
119		2213625801	FUSE SMD	F102	FUSE 0.25A/50V KMD025 DAITO	1
120		2213625802	FUSE SMD	F102	FUSE 0.25A/32V 0434.250 LITTEL	1
121		2213625801	FUSE SMD	F103	FUSE 0.25A/50V KMD025 DAITO	1
122		2213625802	FUSE SMD	F103	FUSE 0.25A/32V 0434.250 LITTEL	1
123	E-IC-0401-2130	2365921996	IC,DIGITAL SMD	I101	SN74LVC14AD TI	1
124		2365922496	IC,DIGITAL SMD	I101	74LVC14A PHILIPS SO14	1
125	E-IC-0401-2824	2365808996	IC,LINEAR(SMD)	I103	AP1117D-3.3V TO-252 ATC	1
126	E-IC-0401-2822	2365807196	IC,LINEAR(SMD)	I104	AMC1117-3.3 SOT-223 ADD	1
127		2365808196	IC,LINEAR(SMD)	I104	AP1117E-3.3V SOT-223 ATC	1
128		2365928396	IC,DIGITAL SMD	I105	W78E65P PLCC44 WINBOND	1
129		2365927996	IC,DIGITAL SMD	I105	SM5964C40J PLCC44L SyncMOS	1
130	E-IC-0401-2823	2365807296	IC,LINEAR(SMD)	I108	AIC1341CS AIC SO16	1
131		2365807196	IC,LINEAR(SMD)	I112	AMC1117-3.3 SOT-223 ADD	1
132		2365808196	IC,LINEAR(SMD)	I112	AP1117E-3.3V SOT-223 ATC	1
133		2365809996	IC,LINEAR(SMD)	I113	P2781A-08SR SOIC-8 PulseCore	1
134		2407630250	SOCKET,SMD	J105	6240-50-OR5P 0.5*50P KYOCERA	1
135		2407630250	SOCKET,SMD	J106	6240-50-OR5P 0.5*50P KYOCERA	1
136	E-L-0407-1535	2379820196	BEAD,HI-IMPEDANCE	L100	Z=200ohm(100MHZ~) 0805 200mA	1
137	E-L-0407-1371	2379832096	BEAD,HI-IMPEDANCE	L101	Z=32ohm(100MHZ~) 0805 300mA	1
138	E-L-0407-1371	2379832096	BEAD,HI-IMPEDANCE	L102	Z=32ohm(100MHZ~) 0805 300mA	1
139	E-L-0407-1371	2379832096	BEAD,HI-IMPEDANCE	L103	Z=32ohm(100MHZ~) 0805 300mA	1
140	E-L-0407-1535	2379820196	BEAD,HI-IMPEDANCE	L104	Z=200ohm(100MHZ~) 0805 200mA	1
141	E-L-0407-1535	2379820196	BEAD,HI-IMPEDANCE	L105	Z=200ohm(100MHZ~) 0805 200mA	1
142	E-L-0407-1535	2379820196	BEAD,HI-IMPEDANCE	L106	Z=200ohm(100MHZ~) 0805 200mA	1
143	E-L-0407-1535	2379820196	BEAD,HI-IMPEDANCE	L107	Z=200ohm(100MHZ~) 0805 200mA	1

Item	Ref. P/N.	Ref. P/N.	Description	Location	Specification	Pcs
144	E-L-0407-1535	2379820196	BEAD,HI-IMPEDANCE	L108	Z=200ohm(100MHZ~) 0805 200mA	1
145		2379380006	BEAD,HI-IMPEDANCE	L120	Z=80ohm(200MHZ~) 0603 200mA	1
146		2379380006	BEAD,HI-IMPEDANCE	L121	Z=80ohm(200MHZ~) 0603 200mA	1
147		2379380006	BEAD,HI-IMPEDANCE	L122	Z=80ohm(200MHZ~) 0603 200mA	1
148		2379380006	BEAD,HI-IMPEDANCE	L123	Z=80ohm(200MHZ~) 0603 200mA	1
149		2379380006	BEAD,HI-IMPEDANCE	L124	Z=80ohm(200MHZ~) 0603 200mA	1
150		2379380006	BEAD,HI-IMPEDANCE	L125	Z=80ohm(200MHZ~) 0603 200mA	1
151		2379380006	BEAD,HI-IMPEDANCE	L126	Z=80ohm(200MHZ~) 0603 200mA	1
152		2379380006	BEAD,HI-IMPEDANCE	L127	Z=80ohm(200MHZ~) 0603 200mA	1
153		2379380006	BEAD,HI-IMPEDANCE	L128	Z=80ohm(200MHZ~) 0603 200mA	1
154		2379380006	BEAD,HI-IMPEDANCE	L129	Z=80ohm(200MHZ~) 0603 200mA	1
155		2379380006	BEAD,HI-IMPEDANCE	L130	Z=80ohm(200MHZ~) 0603 200mA	1
156		2379380006	BEAD,HI-IMPEDANCE	L131	Z=80ohm(200MHZ~) 0603 200mA	1
157		2379380006	BEAD,HI-IMPEDANCE	L132	Z=80ohm(200MHZ~) 0603 200mA	1
158		2379380006	BEAD,HI-IMPEDANCE	L133	Z=80ohm(200MHZ~) 0603 200mA	1
159		2379380006	BEAD,HI-IMPEDANCE	L134	Z=80ohm(200MHZ~) 0603 200mA	1
160		2379380006	BEAD,HI-IMPEDANCE	L135	Z=80ohm(200MHZ~) 0603 200mA	1
161		2379380006	BEAD,HI-IMPEDANCE	L136	Z=80ohm(200MHZ~) 0603 200mA	1
162		2379380006	BEAD,HI-IMPEDANCE	L137	Z=80ohm(200MHZ~) 0603 200mA	1
163		2379380006	BEAD,HI-IMPEDANCE	L138	Z=80ohm(200MHZ~) 0603 200mA	1
164		2379380006	BEAD,HI-IMPEDANCE	L139	Z=80ohm(200MHZ~) 0603 200mA	1
165		2379380006	BEAD,HI-IMPEDANCE	L140	Z=80ohm(200MHZ~) 0603 200mA	1
166		2379380006	BEAD,HI-IMPEDANCE	L141	Z=80ohm(200MHZ~) 0603 200mA	1
167		2379380006	BEAD,HI-IMPEDANCE	L142	Z=80ohm(200MHZ~) 0603 200mA	1
168		2379380006	BEAD,HI-IMPEDANCE	L143	Z=80ohm(200MHZ~) 0603 200mA	1
169		2379380006	BEAD,HI-IMPEDANCE	L144	Z=80ohm(200MHZ~) 0603 200mA	1
170		2379380006	BEAD,HI-IMPEDANCE	L145	Z=80ohm(200MHZ~) 0603 200mA	1
171		2379380006	BEAD,HI-IMPEDANCE	L146	Z=80ohm(200MHZ~) 0603 200mA	1
172		2379380006	BEAD,HI-IMPEDANCE	L147	Z=80ohm(200MHZ~) 0603 200mA	1
173		2379380006	BEAD,HI-IMPEDANCE	L148	Z=80ohm(200MHZ~) 0603 200mA	1
174		2379380006	BEAD,HI-IMPEDANCE	L149	Z=80ohm(200MHZ~) 0603 200mA	1
175		2379380006	BEAD,HI-IMPEDANCE	L150	Z=80ohm(200MHZ~) 0603 200mA	1
176		2379380006	BEAD,HI-IMPEDANCE	L151	Z=80ohm(200MHZ~) 0603 200mA	1
177		2379380006	BEAD,HI-IMPEDANCE	L152	Z=80ohm(200MHZ~) 0603 200mA	1
178		2379380006	BEAD,HI-IMPEDANCE	L153	Z=80ohm(200MHZ~) 0603 200mA	1
179		2379380006	BEAD,HI-IMPEDANCE	L154	Z=80ohm(200MHZ~) 0603 200mA	1
180		2379380006	BEAD,HI-IMPEDANCE	L155	Z=80ohm(200MHZ~) 0603 200mA	1
181		2379380006	BEAD,HI-IMPEDANCE	L156	Z=80ohm(200MHZ~) 0603 200mA	1
182		2379380006	BEAD,HI-IMPEDANCE	L157	Z=80ohm(200MHZ~) 0603 200mA	1
183		2379380006	BEAD,HI-IMPEDANCE	L158	Z=80ohm(200MHZ~) 0603 200mA	1
184		2379380006	BEAD,HI-IMPEDANCE	L159	Z=80ohm(200MHZ~) 0603 200mA	1
185		2379380006	BEAD,HI-IMPEDANCE	L160	Z=80ohm(200MHZ~) 0603 200mA	1
186		2379380006	BEAD,HI-IMPEDANCE	L161	Z=80ohm(200MHZ~) 0603 200mA	1
187		2379380006	BEAD,HI-IMPEDANCE	L162	Z=80ohm(200MHZ~) 0603 200mA	1
188		2379380006	BEAD,HI-IMPEDANCE	L163	Z=80ohm(200MHZ~) 0603 200mA	1
189		2379380006	BEAD,HI-IMPEDANCE	L164	Z=80ohm(200MHZ~) 0603 200mA	1
190		2379380006	BEAD,HI-IMPEDANCE	L165	Z=80ohm(200MHZ~) 0603 200mA	1
191		2379380006	BEAD,HI-IMPEDANCE	L166	Z=80ohm(200MHZ~) 0603 200mA	1
192		2379380006	BEAD,HI-IMPEDANCE	L167	Z=80ohm(200MHZ~) 0603 200mA	1
193	E-Q-0402-1607	2360100596	XISTOR_PNP R SMD	Q100	MMBT3906 FAIRCHILD SOT23	1
194	E-Q-0402-1375	2360100396	XISTOR_PNP R SMD	Q100	MMBT3906-7 VISHAY SOT-23	1
195		2360100796	XISTOR_PNP R SMD	Q100	MMBT3906 SOT-23 DIODES	1
196	E-Q-0402-1607	2360100596	XISTOR_PNP R SMD	Q102	MMBT3906 FAIRCHILD SOT23	1
197	E-Q-0402-1375	2360100396	XISTOR_PNP R SMD	Q102	MMBT3906-7 VISHAY SOT-23	1
198		2360100796	XISTOR_PNP R SMD	Q102	MMBT3906 SOT-23 DIODES	1
199	E-Q-0402-1608	2360300896	XISTOR_NPN R SMD	Q103	MMBT3904 FAIRCHILD SOT23	1
200	E-Q-0402-1180	2360301296	XISTOR_NPN R SMD	Q103	MMBT3904 DIODES SOT-23	1
201	E-Q-0402-1378	2360300596	XISTOR_NPN R SMD	Q103	MMBT3904-7 VISHAY SOT-23	1
202	E-Q-0402-1609	2360301096	XISTOR_NPN R SMD	Q105	KST2907A FAIRCHILD SOT23	1
203	E-Q-0402-1611	2360608296	FET_N-CH(SMD)	Q106	2SK3065 SC-62 ROHM	1
204	E-Q-0402-1611	2360608296	FET_N-CH(SMD)	Q107	2SK3065 SC-62 ROHM	1
205	E-Q-0402-1610	2360301396	XISTOR_NPN R SMD	Q108	PMBT2222A PHILIPS SOT23	1
206		2360301196	XISTOR_NPN R SMD	Q108	MMBT2222A FAIRCHILD SOT23	1
207	E-Q-0402-1608	2360300896	XISTOR_NPN R SMD	Q109	MMBT3904 FAIRCHILD SOT23	1
208	E-Q-0402-1180	2360301296	XISTOR_NPN R SMD	Q109	MMBT3904 DIODES SOT-23	1
209	E-Q-0402-1378	2360300596	XISTOR_NPN R SMD	Q109	MMBT3904-7 VISHAY SOT-23	1
210	E-Q-0402-1608	2360300896	XISTOR_NPN R SMD	Q110	MMBT3904 FAIRCHILD SOT23	1
211	E-Q-0402-1180	2360301296	XISTOR_NPN R SMD	Q110	MMBT3904 DIODES SOT-23	1
212	E-Q-0402-1608	2360300896	XISTOR_NPN R SMD	Q111	MMBT3904 FAIRCHILD SOT23	1
213	E-Q-0402-1180	2360301296	XISTOR_NPN R SMD	Q111	MMBT3904 DIODES SOT-23	1
214	E-Q-0402-1378	2360300596	XISTOR_NPN R SMD	Q111	MMBT3904-7 VISHAY SOT-23	1
215	E-Q-0402-1607	2360100596	XISTOR_PNP R SMD	Q113	MMBT3906 FAIRCHILD SOT23	1

Item	Ref. P/N.	Ref. P/N.	Description	Location	Specification	Pcs
216	E-Q-0402-1375	2360100396	XISTOR_PNP R SMD	Q113	MMBT3906-7 VISHAY SOT-23	1
217		2360100796	XISTOR_PNP R SMD	Q113	MMBT3906 SOT-23 DIODES	1
218	E-Q-0402-1608	2360300896	XISTOR_NPN R SMD	Q115	MMBT3904 FAIRCHILD SOT23	1
219	E-Q-0402-1180	2360301296	XISTOR_NPN R SMD	Q115	MMBT3904 DIODES SOT-23	1
220	E-Q-0402-1378	2360300596	XISTOR_NPN R SMD	Q115	MMBT3904-7 VISHAY SOT-23	1
221	E-R-0405-6602	2253215196	RES_CHIP 1/10W	R074	RC 0603 1/10W 150ohm J T	1
222	E-R-0405-6602	2253215196	RES_CHIP 1/10W	R075	RC 0603 1/10W 150ohm J T	1
223	E-R-0405-6409	2253210196	RES_CHIP 1/10W	R077	RC 0603 1/10W 100ohm J T	1
224		2379380006	BEAD_HI-IMPEDANCE	R078	Z=80ohm(200MHz-) 0603 200mA	1
225	E-R-0405-6416	2253233296	RES_CHIP 1/10W	R079	RC 0603 1/10W 3.3Kohm J T	1
226	E-R-0405-6416	2253233296	RES_CHIP 1/10W	R080	RC 0603 1/10W 3.3Kohm J T	1
227	E-R-0405-6602	2253215196	RES_CHIP 1/10W	R081	RC 0603 1/10W 150ohm J T	1
228	E-R-0405-6602	2253215196	RES_CHIP 1/10W	R082	RC 0603 1/10W 150ohm J T	1
229	E-R-0405-6602	2253215196	RES_CHIP 1/10W	R083	RC 0603 1/10W 150ohm J T	1
230	E-R-0405-6600	2253200096	RES_CHIP 1/10W	R084	RC 0603 1/10W 0ohm J T	1
231	E-R-0405-6600	2253200096	RES_CHIP 1/10W	R090	RC 0603 1/10W 0ohm J T	1
232		2253212296	RES_CHIP 1/10W	R091	RC 0603 1/10W 1.2Kohm J T	1
233	E-R-0405-6600	2253200096	RES_CHIP 1/10W	R092	RC 0603 1/10W 0ohm J T	1
234		2251275096	RES_CHIP 1/10	R100	RC 0603 1/10W 75ohm F T	1
235		2251275096	RES_CHIP 1/10	R101	RC 0603 1/10W 75ohm F T	1
236		2251275096	RES_CHIP 1/10	R102	RC 0603 1/10W 75ohm F T	1
237	E-R-0405-6409	2253210196	RES_CHIP 1/10W	R103	RC 0603 1/10W 100ohm J T	1
238	E-R-0405-6409	2253210196	RES_CHIP 1/10W	R104	RC 0603 1/10W 100ohm J T	1
239	E-R-0405-6603	2253222096	RES_CHIP 1/10W	R105	RC 0603 1/10W 22ohm J T	1
240	E-R-0405-6409	2253210196	RES_CHIP 1/10W	R107	RC 0603 1/10W 100ohm J T	1
241	E-R-0405-6602	2253215196	RES_CHIP 1/10W	R109	RC 0603 1/10W 150ohm J T	1
242	E-R-0405-6602	2253215196	RES_CHIP 1/10W	R110	RC 0603 1/10W 150ohm J T	1
243	E-R-0405-6602	2253215196	RES_CHIP 1/10W	R111	RC 0603 1/10W 150ohm J T	1
244	E-R-0405-6603	2253222096	RES_CHIP 1/10W	R113	RC 0603 1/10W 22ohm J T	1
245	E-R-0405-6411	2253210396	RES_CHIP 1/10W	R114	RC 0603 1/10W 10Kohm J T	1
246	E-R-0405-6603	2253222096	RES_CHIP 1/10W	R115	RC 0603 1/10W 22ohm J T	1
247	E-R-0405-6411	2253210396	RES_CHIP 1/10W	R116	RC 0603 1/10W 10Kohm J T	1
248	E-R-0405-6411	2253210396	RES_CHIP 1/10W	R117	RC 0603 1/10W 10Kohm J T	1
249	E-R-0405-6419	2253247296	RES_CHIP 1/10W	R120	RC 0603 1/10W 4.7Kohm J T	1
250	E-R-0405-6416	2253233296	RES_CHIP 1/10W	R121	RC 0603 1/10W 3.3Kohm J T	1
251		2379380006	BEAD_HI-IMPEDANCE	R122	Z=80ohm(200MHz-) 0603 200mA	1
252	E-R-0405-6603	2253222096	RES_CHIP 1/10W	R123	RC 0603 1/10W 22ohm J T	1
253	E-R-0405-6411	2253210396	RES_CHIP 1/10W	R124	RC 0603 1/10W 10Kohm J T	1
254	E-R-0405-6409	2253210196	RES_CHIP 1/10W	R125	RC 0603 1/10W 100ohm J T	1
255	E-R-0405-6409	2253210196	RES_CHIP 1/10W	R127	RC 0603 1/10W 100ohm J T	1
256	E-R-0405-6409	2253210196	RES_CHIP 1/10W	R128	RC 0603 1/10W 100ohm J T	1
257		2379380006	BEAD_HI-IMPEDANCE	R133	Z=80ohm(200MHz-) 0603 200mA	1
258	E-R-0405-6600	2253200096	RES_CHIP 1/10W	R134	RC 0603 1/10W 0ohm J T	1
259	E-R-0405-6603	2253222096	RES_CHIP 1/10W	R135	RC 0603 1/10W 22ohm J T	1
260	E-R-0405-7003	2253275096	RES_CHIP 1/10W	R137	RC 0603 1/10W 75ohm J T	1
261		2379380006	BEAD_HI-IMPEDANCE	R139	Z=80ohm(200MHz-) 0603 200mA	1
262		2379380006	BEAD_HI-IMPEDANCE	R141	Z=80ohm(200MHz-) 0603 200mA	1
263	E-R-0405-6600	2253200096	RES_CHIP 1/10W	R142	RC 0603 1/10W 0ohm J T	1
264	E-R-0405-6603	2253222096	RES_CHIP 1/10W	R143	RC 0603 1/10W 22ohm J T	1
265	E-R-0405-6601	2253210596	RES_CHIP 1/10W	R144	RC 0603 1/10W 1Mohm J T	1
266	E-R-0405-6419	2253247296	RES_CHIP 1/10W	R145	RC 0603 1/10W 4.7Kohm J T	1
267	E-R-0405-6419	2253247296	RES_CHIP 1/10W	R146	RC 0603 1/10W 4.7Kohm J T	1
268	E-R-0405-6411	2253210396	RES_CHIP 1/10W	R153	RC 0603 1/10W 10Kohm J T	1
269	E-R-0405-6606	2253233196	RES_CHIP 1/10W	R154	RC 0603 1/10W 330ohm J T	1
270	E-R-0405-6602	2253215196	RES_CHIP 1/10W	R155	RC 0603 1/10W 150ohm J T	1
271	E-R-0405-6602	2253215196	RES_CHIP 1/10W	R156	RC 0603 1/10W 150ohm J T	1
272	E-R-0405-6602	2253215196	RES_CHIP 1/10W	R157	RC 0603 1/10W 150ohm J T	1
273	E-R-0405-6602	2253215196	RES_CHIP 1/10W	R158	RC 0603 1/10W 150ohm J T	1
274	E-R-0405-6602	2253215196	RES_CHIP 1/10W	R159	RC 0603 1/10W 150ohm J T	1
275	E-R-0405-6602	2253215196	RES_CHIP 1/10W	R160	RC 0603 1/10W 150ohm J T	1
276	E-R-0405-6602	2253215196	RES_CHIP 1/10W	R161	RC 0603 1/10W 150ohm J T	1
277	E-R-0405-6411	2253210396	RES_CHIP 1/10W	R162	RC 0603 1/10W 10Kohm J T	1
278	E-R-0405-6606	2253233196	RES_CHIP 1/10W	R163	RC 0603 1/10W 330ohm J T	1
279	E-R-0405-6419	2253247296	RES_CHIP 1/10W	R165	RC 0603 1/10W 4.7Kohm J T	1
280	E-R-0405-6419	2253247296	RES_CHIP 1/10W	R166	RC 0603 1/10W 4.7Kohm J T	1
281	E-R-0405-6410	2253210296	RES_CHIP 1/10W	R168	RC 0603 1/10W 1Kohm J T	1
282	E-R-0405-6410	2253210296	RES_CHIP 1/10W	R169	RC 0603 1/10W 1Kohm J T	1
283	E-R-0405-6416	2253233296	RES_CHIP 1/10W	R171	RC 0603 1/10W 3.3Kohm J T	1
284	E-R-0405-6419	2253247296	RES_CHIP 1/10W	R172	RC 0603 1/10W 4.7Kohm J T	1
285	E-R-0405-6410	2253210296	RES_CHIP 1/10W	R173	RC 0603 1/10W 1Kohm J T	1
286	E-R-0405-6600	2253200096	RES_CHIP 1/10W	R183	RC 0603 1/10W 0ohm J T	1
287	E-R-0405-6419	2253247296	RES_CHIP 1/10W	R187	RC 0603 1/10W 4.7Kohm J T	1

Item	Ref. P/N.	Ref. P/N.	Description	Location	Specification	Pcs
288	E-R-0405-6419	2253247296	RES,CHIP 1/10W	R188	RC 0603 1/10W 4.7Kohm J T	1
289	E-R-0405-6419	2253247296	RES,CHIP 1/10W	R189	RC 0603 1/10W 4.7Kohm J T	1
290	E-R-0405-6419	2253247296	RES,CHIP 1/10W	R190	RC 0603 1/10W 4.7Kohm J T	1
291	E-R-0405-6419	2253247296	RES,CHIP 1/10W	R191	RC 0603 1/10W 4.7Kohm J T	1
292	E-R-0405-6984	2253210496	RES,CHIP 1/10W	R194	RC 0603 1/10W 100Kohm J T	1
293	E-R-0405-6604	2253222296	RES,CHIP 1/10W	R195	RC 0603 1/10W 2.2Kohm J T	1
294	E-R-0405-6419	2253247296	RES,CHIP 1/10W	R196	RC 0603 1/10W 4.7Kohm J T	1
295	E-R-0405-6419	2253247296	RES,CHIP 1/10W	R197	RC 0603 1/10W 4.7Kohm J T	1
296	E-R-0405-6419	2253247296	RES,CHIP 1/10W	R198	RC 0603 1/10W 4.7Kohm J T	1
297	E-R-0405-6411	2253210396	RES,CHIP 1/10W	R200	RC 0603 1/10W 10Kohm J T	1
298		2251243216	RES,CHIP 1/10	R201	RC 0603 1/10W 4.32Kohm F T	1
299	E-R-0405-6410	2253210296	RES,CHIP 1/10W	R202	RC 0603 1/10W 1Kohm J T	1
300		2251220026	RES,CHIP 1/10	R205	RC 0603 1/10W 20Kohm F T	1
301	E-R-0405-6411	2253210396	RES,CHIP 1/10W	R206	RC 0603 1/10W 10Kohm J T	1
302		2253236396	RES,CHIP 1/10W	R207	RC 0603 1/10W 36Kohm J T	1
303		2253256296	RES,CHIP 1/10W	R209	RC 0603 1/10W 5.6Kohm J T	1
304		2253211196	RES,CHIP 1/10W	R210	RC 0603 1/10W 110ohm J T	1
305		2253212396	RES,CHIP 1/10W	R211	RC 0603 1/10W 12Kohm J T	1
306		2251233016	RES,CHIP 1/10	R212	RC 0603 1/10W 3.3Kohm F T	1
307	E-R-0405-6416	2253233296	RES,CHIP 1/10W	R213	RC 0603 1/10W 3.3Kohm J T	1
308		2251214716	RES,CHIP 1/10	R215	RC 0603 1/10W 1.47Kohm F T	1
309		2251211516	RES,CHIP 1/10	R216	RC 0603 1/10W 1.15Kohm F T	1
310	E-R-0405-6416	2253233296	RES,CHIP 1/10W	R217	RC 0603 1/10W 3.3Kohm J T	1
311		2251221026	RES,CHIP 1/10	R218	RC 0603 1/10W 21Kohm F T	1
312		2251233016	RES,CHIP 1/10	R219	RC 0603 1/10W 3.3Kohm F T	1
313	E-R-0405-6411	2253210396	RES,CHIP 1/10W	R221	RC 0603 1/10W 10Kohm J T	1
314		2253436196	RES,CHIP 1/4	R222	RC 1206 1/4 W 360ohm J T	1
315		2253436196	RES,CHIP 1/4	R223	RC 1206 1/4 W 360ohm J T	1
316	E-R-0405-6600	2253200096	RES,CHIP 1/10W	R224	RC 0603 1/10W 0ohm J T	1
317	E-R-0405-6984	2253210496	RES,CHIP 1/10W	R225	RC 0603 1/10W 100Kohm J T	1
318		2253410096	RES,CHIP 1/4	R226	RC 1206 1/4 W 10ohm J T	1
319	E-R-0405-6600	2253200096	RES,CHIP 1/10W	R227	RC 0603 1/10W 0ohm J T	1
320	E-R-0405-6411	2253210396	RES,CHIP 1/10W	R228	RC 0603 1/10W 10Kohm J T	1
321	E-R-0405-6606	2253233196	RES,CHIP 1/10W	R229	RC 0603 1/10W 330ohm J T	1
322	B-MB-0201-0745	2202510402	PCB MULTILAYER	U001	166L14 M/B FR4*4 110*136 3.12	1
323		2056603050	SERIAL LABEL	6P56	VIEWSONIC LCD SERIAL LABEL	4
324		2720111700	V-TYPE-MAIN	BA52	VE155(S)	1
325		2333322613	CAP,ELE 105C	C114	EC 22u/ 16V 5*11 P=2.5 T	1
326		2333322613	CAP,ELE 105C	C116	EC 22u/ 16V 5*11 P=2.5 T	1
327		2333610613	CAP,ELE 105C	C117	EC 10u/ 50V 5*11 P=2.5 T	1
328		2333322613	CAP,ELE 105C	C118	EC 22u/ 16V 5*11 P=2.5 T	1
329		2333322613	CAP,ELE 105C	C119	EC 22u/ 16V 5*11 P=2.5 T	1
330		2333610613	CAP,ELE 105C	C121	EC 10u/ 50V 5*11 P=2.5 T	1
331		2333610613	CAP,ELE 105C	C126	EC 10u/ 50V 5*11 P=2.5 T	1
332		2333610613	CAP,ELE 105C	C140	EC 10u/ 50V 5*11 P=2.5 T	1
333		2333610613	CAP,ELE 105C	C160	EC 10u/ 50V 5*11 P=2.5 T	1
334		2333610513	CAP,ELE 105C	C164	EC 1u/ 50V 5*11 P=2.5 T	1
335		2333610613	CAP,ELE 105C	C214	EC 10u/ 50V 5*11 P=2.5 T	1
336		2333610613	CAP,ELE 105C	C215	EC 10u/ 50V 5*11 P=2.5 T	1
337		2333610613	CAP,ELE 105C	C216	EC 10u/ 50V 5*11 P=2.5 T	1
338		2333610613	CAP,ELE 105C	C217	EC 10u/ 50V 5*11 P=2.5 T	1
339		2333610613	CAP,ELE 105C	C218	EC 10u/ 50V 5*11 P=2.5 T	1
340		2333610613	CAP,ELE 105C	C301	EC 10u/ 50V 5*11 P=2.5 T	1
341		2333610613	CAP,ELE 105C	C302	EC 10u/ 50V 5*11 P=2.5 T	1
342		2333610613	CAP,ELE 105C	C303	EC 10u/ 50V 5*11 P=2.5 T	1
343		2333610613	CAP,ELE 105C	C309	EC 10u/ 50V 5*11 P=2.5 T	1
344		2333610613	CAP,ELE 105C	C311	EC 10u/ 50V 5*11 P=2.5 T	1
345		2333610613	CAP,ELE 105C	C314	EC 10u/ 50V 5*11 P=2.5 T	1
346		2336310713	CAP,MINI ELE 105C	C315	EC 100u/ 16V 6.3*7 P=2.5 T	1
347		2333610513	CAP,ELE 105C	C316	EC 1u/ 50V 5*11 P=2.5 T	1
348		2333610513	CAP,ELE 105C	C317	EC 1u/ 50V 5*11 P=2.5 T	1
349	E-IC-0401-0836	2365307391	IC,LINEAR	I106	TL431CLP MOTOROLA	1
350	E-IC-0401-2152	2365321991	IC,LINEAR	I106	KA431AZTA TO-92 FAIRCHILD	1
351		2365328191	IC,LINEAR	I106	AP431VA TO-92 ATC	1
352	E-IC-0401-0836	2365307391	IC,LINEAR	I109	TL431CLP MOTOROLA	1
353	E-IC-0401-2152	2365321991	IC,LINEAR	I109	KA431AZTA TO-92 FAIRCHILD	1
354		2365328191	IC,LINEAR	I109	AP431VA TO-92 ATC	1
355	E-IC-0401-0836	2365307391	IC,LINEAR	I110	TL431CLP MOTOROLA	1
356	E-IC-0401-2152	2365321991	IC,LINEAR	I110	KA431AZTA TO-92 FAIRCHILD	1
357		2365328191	IC,LINEAR	I110	AP431VA TO-92 ATC	1
358	E-Q-0402-0839	2361111191	XISTOR,PNP R	Q104	2SA1020(Y) TOSHIBA	1
359	E-Q-0402-0839	2361111191	XISTOR,PNP R	Q114	2SA1020(Y) TOSHIBA	1

Item	Ref. P/N.	Ref. P/N.	Description	Location	Specification	Pcs
360		2720211700	H-TYPE-MAIN	BA53	VE155(S)	1
361	E-L-0407-0013	2379101495	FERRITE CORE	L109	3.5X9X0.8	1
362	E-L-0407-0013	2379101495	FERRITE CORE	L113	3.5X9X0.8	1
363		2710111700	MANUAL INSERT-MAIN	BA42	VE155(S)	1
364	E-C-0404-4218	2333322701	CAP,ELE 105°C	C115	EC 220u/ 16V 8*11 P=3.5 C	1
365	E-C-0404-3890	2333347701	CAP,ELE 105°C	C282	EC 470u/ 16V 10*12.5 P=5.0 C	1
366	E-C-0404-3890	2333347701	CAP,ELE 105°C	C288	EC 470u/ 16V 10*12.5 P=5.0 C	1
367	E-C-0404-4222	2336322701	CAP,MINI ELE105°C	C307	EC 220u/ 16V 8*9 P=3.5 C	1
368		2335310711	CAP,ELE LOW ESR 105°C	C308	EC 100u/ 16V 6.3*11 P=2.5 C	1
369	E-C-0404-4219	2333647601	CAP,ELE 105°C	C318	EC 47u/ 50V 8*11 P=3.5 C	1
370	E-IC-0401-2825	2365924596	IC,DIGITAL SMD	I001	MASCOT VZ MRT 160P PQFP	1
371	E-IC-0401-2015	2365316200	IC,LINEAR	I100	24LC16B DIP-8 MICROCHI	1
372	E-IC-0401-2748	2365424000	IC,DIGITAL	I100	AM24LC16(PDIP-8L) ATC	1
373	E-IC-0401-2017	2365412600	IC,DIGITAL	I102	24LC21A/P MICROCHIP	1
374	E-IC-0401-0867	2365407610	IC,DIGITAL	I102	AT24C21-10PC ATMEL	1
375		2404338112	CONNECTOR	J101	JST B-PH 13PIN P=2.0 OR EQUAL	1
376	M-MS-0808-6355	2404301107	CONNECTOR	J103	JST PH 8P SIDE P=2.0 OR EQUAL	1
377		2404338104	CONNECTOR	J108	JST B-PH 5PIN P=2.0 OR EQUAL	1
378		2404301004	CONNECTOR	J110	JST XH 5P SIDE P=2.5 OR EQUAL	1
379		2371106400	COIL,CHOKE	L111	LS-SH01C-016 33uH+-10% LI SHIN	1
380		2226510200	RES,SEMI FIX	R214	0.3W B 1K K	1
381		2369103601	XTAL,OSC	X100	XTAL 12MHZ CL30P H/S	1
382		2369103601	XTAL,OSC	X101	XTAL 12MHZ CL30P H/S	1
383		2702211700	PCB-CON	BB31	VE155(S)	1
384		2704211700	AUTO INSERT-CON	BB41	VE155(S)	1
385		2720611700	V-TYPE-CON	BB52	VE155(S)	1
386		2363703891	LED	D701	LED 3φ GRN/YEL	1
387		2720711700	H-TYPE-CON	BB53	VE155(S)	1
388	M-WR-0828-0450	2428106075	JUMPER	J701	0.6φ7.50MM	1
389	M-WR-0828-0450	2428106075	JUMPER	J702	0.6φ7.50MM	1
390		2403702513	SWITCH,TACT	S701	TSTA-2 4.3mm 160g HUA JIE	1
391		2403702513	SWITCH,TACT	S702	TSTA-2 4.3mm 160g HUA JIE	1
392		2403702513	SWITCH,TACT	S703	TSTA-2 4.3mm 160g HUA JIE	1
393		2403702513	SWITCH,TACT	S704	TSTA-2 4.3mm 160g HUA JIE	1
394		2403702513	SWITCH,TACT	S705	TSTA-2 4.3mm 160g HUA JIE	1
395	B-KB-0207-0040	2202120102	PC BOARD	U701	VE155 K/B CEM1 140*15 3.00	1
396		2710611700	MANUAL INSERT-CON	BB42	VE155(S)	1
397		2427408181	WIRE HARNESS	P982	8P H/B 1061#26 L=180mm P=2.0	1
398	M-MS-0808-6346	2074157800	HOLDER	9R01	JT166A LED HOLDER TO-05(3.3MM)	1
399		2702311700	PCB POWER	BC31	VE155(S)	1
400		2704311700	AUTO INSERT-POWER	BC41	VE155(S)	1
401		2721111700	V-TYPE-POWER	BC52	VE155(S)	1
402	E-C-0404-0163	2307422312	CAP,MTL	C806	MC MPP 0.022u/400V J P=10.0 K	1
403		2285168091	CAP,CER	C807	CK45B 68.000PF 1KV K T	1
404	E-C-0404-4219	2333647601	CAP,ELE 105°C	C808	EC 47u/ 50V 8*11 P=3.5 C	1
405	E-C-0404-4833	2281110491	CAP,CER	C809	CK45B 0.100UF 50V K T	1
406		2302133391	CAP,MTL	C810	CF93M 0.033UF 100V J T	1
407		2330003501	CAP,MINI ELE	C813	EC 1500uF/10V 10*22 P=5.0 C	1
408		2330003501	CAP,MINI ELE	C814	EC 1500uF/10V 10*22 P=5.0 C	1
409		2330003501	CAP,MINI ELE	C815	EC 1500uF/10V 10*22 P=5.0 C	1
410	E-C-0404-3891	2335210812	CAP,ELE LOE ESR 105°C	C817	EC 1000u/ 10V10*17 P=5.0 K	1
411	E-C-0404-1861	2281110291	CAP,CER	C819	CK45B 1000.000PF 50V K T	1
412	E-C-0404-1569	2301310491	CAP,MTL	C820	CF93M 0.100UF 63V J T	1
413		2283122291	CAP,CER	C822	CK45B 2200.000PF 500V K T	1
414		2407200791	HOLDER,FUSE	F802	FC-05C	2
415		2407200991	HOLDER,FUSE	F802	CQ-05T (5mm DIA FUSE)	2
416	E-IC-0401-0836	2365307391	IC,LINEAR	I803	TL431CLP MOTOROLA	1
417	E-IC-0401-2152	2365321991	IC,LINEAR	I803	KA431AZTA TO-92 FAIRCHILD	1
418		2721211700	H-TYPE-POWER	BC53	VE155(S)	1
419		2363223195	DIODE,RECT	D802	UF4007 GS	1
420		2363231995	DIODE,RECT	D802	UF4007 PEC	1
421		2363223095	DIODE,RECT	D803	UF4005 GS	1
422	E-D-0403-1496	2363221495	DIODE,RECT	D803	UF4005G PEC	1
423	E-D-0403-1109	2363506395	DIODE,ZENER	D806	HZ15-2 14.5-15.1V 0.5W HITACHI	1
424	E-D-0403-1622	2363506495	DIODE,ZENER	D806	MTZJ15C 14.35-15.09V ROHM	1
425		2363504595	DIODE,ZENER	D807	HZ7-A3 6.6V-6.9V 0.5W HITACHI	1
426	E-D-0403-1784	2363516095	DIODE,ZENER	D807	MTZJ6.2C 6.12-6.44V ROHM	1
427	M-WR-0828-0460	2428106125	JUMPER	J803	0.6φ12.50MM	1
428	M-WR-0828-0460	2428106125	JUMPER	J804	0.6φ12.50MM	1
429	M-WR-0828-0478	2428106100	JUMPER	J805	0.6φ10.00MM	1
430	M-WR-0828-0451	2428106150	JUMPER	J806	0.6φ15.00MM	1
431	M-WR-0828-0455	2428106050	JUMPER	J807	0.6φ5.00MM	1

Item	Ref. P/N.	Ref. P/N.	Description	Location	Specification	Pcs
432	M-WR-0828-0455	2428106050	JUMPER	L801	0.6φ5.00MM	1
433	E-L-0407-0013	2379101495	FERRITE CORE	L802	3.5X9X0.8	1
434	M-WR-0828-0455	2428106050	JUMPER	L803	0.6φ5.00MM	1
435	E-R-0405-5177	2232610595	RES,CBN 1/2	R801	RD 1/2W 1.00M J T52 MINI	1
436		2239234815	RES,PRES 1/4 S	R806	RN 1/4WS 3.48K F T52 MINI	1
437	M-WR-0828-0450	2428106075	JUMPER	R807	0.6φ7.50MM	1
438		2247315095	RES,FUSE 1/2	R809	RF 1/2W 15.00 J T52	1
439	E-R-0405-0748	2239220025	RES,PRES 1/4 S	R810	RN 1/4WS 20.00K F T52 MINI	1
440	E-R-0405-4716	2239247015	RES,PRES 1/4 S	R811	RN 1/4WS 4.70K F T52 MINI	1
441		2239224315	RES,PRES 1/4 S	R812	RN 1/4WS 2.43K F	1
442	E-R-0405-1757	2233410195	RES,CBN 1/4 S	R813	RD 1/4WS 100.00 J T52 MINI	1
443	E-R-0405-0727	2239222015	RES,PRES 1/4 S	R814	RN 1/4WS 2.20K F T52 MINI	1
444		2247412195	RES,FUSE 1	R815	RF 1W 120.00 J T52	1
445	E-R-0405-0718	2232610095	RES,CBN 1/2	R816	RD 1/2W 10.00 J T52 MINI	1
446	E-R-0405-3235	2233410295	RES,CBN 1/4 S	R817	RD 1/4WS 1.00K J T52 MINI	1
447	E-R-0405-3215	2233447195	RES,CBN 1/4 S	R841	RD 1/4WS 470.00 J T52 MINI	1
448		2202121101	PC BOARD	U801	MD96851 P/B CEM1 170*58 2.00	1
449		2711111700	MANUAL INSERT-POWER	BC42	VE155(S)	1
450	E-C-0404-4834	2300922401	CAP,MTL MINI	C801	0.220UF 275V M	1
451		2330004001	CAP,MINI ELE	C812	EC 100u/400V18*32 P=7.5 S	1
452		2330004200	CAP,MINI ELE	C812	CE 100uF/400V 105°C 18*30 HJC	1
453		2330005401	CAP,MINI ELE	C812	100u/400V ZT105°C 18*36 HEC	1
454	E-C-0404-4834	2300922401	CAP,MTL MINI	C824	0.220UF 275V M	1
455		2368502200	RECT,BRIDGE	D801	GSIB460 4A/600V GS	1
456		2368502100	RECT,BRIDGE	D801	KB14J 4A/600V CHENMKO	1
457		2363300212	DIODE,SCHOTTKY	D805	31DQ06 NI	1
458	E-FS-0410-0009	2213125207	FUSE	F801	FUSE 2.5A/250V 21502.5 LITTEL	1
459	E-PC-0411-0083	2362401800	PHOTO COUPLR	I802	TLP621(D4-GR-LF2) TOSHIBA	1
460	E-PC-0411-0082	2362401600	PHOTO COUPLR	I802	TLP721F(D4-GR) TOSHIBA	1
461	E-L-0407-0499	2371131000	COIL,CHOKE	L804	JD156G 15UH 21.5T REF	1
462		2371157700	COIL,CHOKE	L805	JT166S UU-10.5	1
463		2404339301	CONNECTOR	P801	LEOCO 3951-01(V) 2PIN P=3.96	1
464		2427412613	WIRE HARNESS	P802	5P(2.5) H/B 1007#22 90L	1
465		2235643417	RES,MTL 3	R804	RS 3WS 430Kohm J P=25	1
466		2235847300	RES,MTL 5	R805	RS 5W 47Kohm J	1
467	E-TH-0416-0042	2229201212	THERMISTOR,PTH	R840	SCK-103 10+-20% 3A THINKING	1
468	E-TH-0416-0043	2229400612	THERMISTOR,NTC	R840	NTC UPPERMOST N10SP010***-K2	1
469		2374208200	XFORMER,POWR	T801	ERL-28 L=1.2mH HJC	1
470		2711211700	PROCESS-POWER	BC43	VE155(S)	1
471	E-C-0404-1855	2287247212	CAP,CER	C802	CK45F 4700.000PF 250VAC M KC	1
472	E-C-0404-1855	2287247212	CAP,CER	C803	CK45F 4700.000PF 250VAC M KC	1
473	E-C-0404-1855	2287247212	CAP,CER	C823	CK45F 4700.000PF 250VAC M KC	1
474		2363225500	DIODE,RECT	D804	FCH20A10 20A/100V TO-220AB	1
475		2368400100	RECT,SCHOTTKY	D804	SB20100F PEC	1
476	E-IC-0401-2776	2365327413	IC,LINEAR	I801	KA5M0365R-YDTU FAIRCHILD FORMI	1
477		2504250600	ADHESI TAPE	K920	3M #1350 W=90mm Yellow	1
478		2504250600	ADHESI TAPE	K921	3M #1350 W=90mm Yellow	1
479		2072258100	HEAT SINK	9H01	AL-6063S (=1.5mm	2
480		2429150100	TUBE,SILICON	9R81	JT156D2 TO-220ST 0.4mm	1
481		2429350300	TUBING,H-SRK	9R82	φ12*20MM FOR ADAPTOR	1
482		2429350300	TUBING,H-SRK	9R83	φ12*20MM FOR ADAPTOR	1
483		2429350300	TUBING,H-SRK	9R84	φ12*20MM FOR ADAPTOR	1
484		2105250700	SPRING PLATE	9S01	SUS 301	1
485	M-SCW-0824-0285	2084730082	SCREW,BND T+	9S02	M3X8(BND T+)	1
486	M-SCW-0824-0285	2084730082	SCREW,BND T+	9S03	M3X8(BND T+)	4
487		2711311700	MI OTHER-POWER	BC49	VE155(S)	1
488		2056603050	SERIAL LABEL	6P55	VIEWSONIC LCD SERIAL LABEL	1
489	C-FP-0301-0382	2701512100	FRONT ASS'Y	B022	VE500(2)	1
490	C-FP-0301-0383	2708112100	FRONT BEZEL	BT31	VE500(2)	1
491	C-FP-0301-0381	2024262107	FRONT BEZEL	1F01	VE500-2/ABS+PC SILVER	1
492	M-MS-0808-8180	2053751901	LED INDIC.-PWR	1F02	VE150-2/PMMA 94HB	1
493	PL-FK-0709-0128	2044260902	FUNCTION KEY	1F03	VA520-2/ABS 94V0 SILVER	1
494		2056603050	SERIAL LABEL	6P54	VIEWSONIC LCD SERIAL LABEL	1
495		2718111700	LCD PANEL ASS'Y	BT32	VE155(S)	1
496	M-LCD-0826-0113	2212002400	LCD PANEL	V901	LCD CLAA150XG-02 CPT	1
497		2080002200	SCREW,SPE	1F09	L355 M3x6 DH NICKEL-PLATED	8
498		2071964100	METAL FITTG	1F10	VE155/CPT MRT14 SECC T=0.8	1
499	M-SCW-0824-0437	2082730062	SCREW,BND+	1F12	M3X6(BND+)	4
500		2071664200	SHIELD PLATE	1F13	JT166L14/SPT0.03t MAIN BOARD	1
501		2082630062	SCREW	1F14	M3X6 P=0.5	1
502		2081430062	SCREW,(WASH)	1F15	M3X6 P=0.5(TOOTH WASHER)	4
503		2082630062	SCREW	1F16	M3X6 P=0.5	2



Item	Ref. P/N.	Ref. P/N.	Description	Location	Specification	Pcs
504		2071659501	SHIELD PLATE	1F17	SPTE t=0.3mm	1
505		2082630062	SCREW	1F18	M3X6 P=0.5	1
506		2071960200	METAL FITTG	1F21	L355 SECC t=0.8	1
507		2081430082	SCREW,(WASH)	1F22	M3X8 P=0.5(TOOTH,WASHER)	2
508		2080002300	SCREW,SPE	1F23	L355 M3*8 DH NICKEL-PLATED	2
509	M-SCW-0824-0493	2085740082	SCREW,B OTW+	1F24	SCREW B OTW+ M4X8	1
510	M-MS-0808-5476	2072450100	INSULATOR	1F26	JT166E PC 185LX25.3WX14.6HX 2t	1
511		2081430062	SCREW,(WASH)	1F27	M3X6 P=0.5(TOOTH WASHER)	1
512	PL-HD-0705-0116	2074191000	HOLDER	1F28	JK1461 JEAN	1
513		2063451102	ADHESI SHEET	1F31	27.2x42.4 PVC COLOR:BLACK	1
514		2072452900	INSULATOR	9R02	VE155/MYLAR t=0.2 PC ABS 94V0	1
515		2718511700	FRONT OTHER	BT39	VE155(S)	1
516	A-VIO-0118-0030	2427501151	I/O CABLE	P961	D15/C13 20276(3+6) 1.83M BLK	1
517		2420309001	FFC CABLE	P980	90L*25.5W*0.05T 0.3W*0.5P*50N	1
518		2420309001	FFC CABLE	P981	90L*25.5W*0.05T 0.3W*0.5P*50N	1
519		2427412582	WIRE HARNESS	P983	JST PHR-5P*2 2464#24*6C 260L	1
520		2407000100	SOCKET_ASSY	P985	INLET/CON 1015#18 L=130	1
521	B-SB-0221-0550	2414500900	INVERTER	U901	CDA-2103H01 CHI SAM	1
522	B-SB-0221-0551	2414500700	INVERTER	U901	L0070 SAMPO	1
523	M-SCW-0824-0285	2084730082	SCREW,BND T+	1F04	M3X8(BND T+)	2
524	M-MS-0808-4026	2051350200	NAME PLATE	1F05	JD144V3 VIEWSONIC 3BIRDS AL	1
525	M-SCW-0824-0285	2084730082	SCREW,BND T+	1F11	M3X8(BND T+)	8
526	M-SCW-0824-0285	2084730082	SCREW,BND T+	1F19	M3X8(BND T+)	2
527		2084740082	SCREW,BND T+	1F20	M4X8(BND T+)	1
528	M-SCW-0824-0261	2084730142	SCREW,BND T+	1F25	M3X14(BND T+)	1
529	M-SCW-0824-0123	2084740102	SCREW,BND T+	1F29	M4X10(BND T+)	2
530	M-SCW-0824-0437	2082730062	SCREW,BND+	1F30	M3X6(BND+)	2
531		2080002500	SCREW,SPE	1F40	VE155/PDS-3 φ5.2X3X8	1
532	M-SCW-0824-0493	2085740082	SCREW,B OTW+	2C21	SCREW B OTW+ M4X8	4
533		2701612100	FINAL ASS'Y	B023	VE500(2)	1
534	C-BC-0302-0521	2708612100	CABI BACK	BN31	VE500(2)	1
535	C-BC-0302-0388	2022258804	CABI BACK	2C01	PC+ABS 94V0 BLACK 4001+SILVER	1
536		2084740104	SCREW,BND T+	2C02	M4X10(BND T+) (BLK)	3
537	M-MS-0808-6316	2071958300	METAL FITTG	2C10	VE170 KENSINGTON	1
538	M-CV-0830-2466	2027255103	DUST COVER	2C24	VA520-2/ASB 94HB BLACK 4001	1
539		2055636018	LABEL	6P05	VE500-2 VLCDSD23585-2W	1
540		2055131706	LABEL	6P50	VE500-2 VLCDSD23585-2W 030403	1
541	C-BS-0303-0379	2718611700	STAND ASS'Y	BN32	VE155(S)	1
542		2106652901	HINGE	2C20	VE155 0'-90'	1
543		2106652902	HINGE	2C20	VE155/0'-90'	1
544	PL-PS-0715-0188	2028254603	STAND	5B01	VA520-2/ABS 94HB BLACK 4001	1
545	PL-PD-0714-0069	2039802303	FOOT PAD	5B02	VA520 CR420xφ16.5x5.8 BLACK	4
546	M-SCW-0824-0123	2084740102	SCREW,BND T+	5B03	M4X10(BND T+)	4
547	M-CV-0830-2465	2027255003	DUST COVER	5B04	VA520(2)/ABS 94HB BLACK 4001	1
548		2071960702	METAL FITTG	5B06	VE155 STAND SECC t=2mm	1
549	M-SCW-0824-0285	2084730082	SCREW,BND T+	5B07	M3X8(BND T+)	1
550		2087340126	SCREW,B SPW+	5B08	4X12(+)/SWRM-3 ZMC2-C	4
551		2080002400	SCREW,SPE	5B09	VE155/3x8 STAND	1
552	M-LB-0813-0769	2055613293	LABEL	5B10	VIEWSONIC OPEN STAND LABEL-LCD	1
553		2084740082	SCREW,BND T+	5B11	M4X8(BND T+)	1
554		2719011700	FINAL OTHER	BN39	VE155(S)	1
555		2084730084	SCREW,BND T+	2C25	M3X8(BND T+) (BLK)	1
556		2700512100	ACCESSORY ASS'Y	B012	VE500(2)	1
557	A-PC-0106-0121	2427130046	POWER CORD	P951	USA WALL 1.8M BLACK	1
558	A-PC-0106-0138	2427130047	POWER CORD	P952	E WALL 1.8M BLACK	1
559	A-CD-VE500-2	2438501113	CD-OWNER GUIDE	6P80	VE500-2WIZARD DATE:2003/04/03	1
560		2013222536	POLYETHY BAG	6P81	250mmx350mmxt0.3 ADD>PE-LD<	1
561		2002310337	GUARANT CARD	6P82	VIEWSONIC VE500-2 QSG 030403	1
562		2700612100	PACKING ASS'Y	B013	VE500(2)	1
563	P-BX-0601-0863	2011168011	CARTON BOX	6P01	VE500-2 VLCDSD23585-2W 030403	1
564		2055632027	LABEL	6P02	VE500-2 VLCDSD23585-2W	1
565		2013150901	POLYETHY BAG	6P04	700LX600WX0.03mm PE-LD ADD>PE	1
566	P-BX-0601-0862	2011168009	CARTON BOX	6P10	VE155/VA520 PALLET BOX	24
567	P-FM-0602-0722	2012163600	POLYFOAM	6P20	VE150-2 POLYFOAM(L) EPS	1
568	P-FM-0602-0723	2012163700	POLYFOAM	6P21	VE150-2 POLYFOAM(R) EPS	1
569		2056603050	SERIAL LABEL	6P51	VIEWSONIC LCD SERIAL LABEL	1
570	M-LB-0813-0528	2055103400	LABEL	6P52	JK0936F WEN	1

**VE155b**

Item	ViewSonic P/N	Ref. P/N	Description	Location	Q'ty	
6		2340747008	CAP_ARRAY P=0.8 85°C	1206Y5V 47.000PF 16V M 8P	CP01	1
7		2340747008	CAP_ARRAY P=0.8 85°C	1206Y5V 47.000PF 16V M 8P	CP02	1
8		2340747008	CAP_ARRAY P=0.8 85°C	1206Y5V 47.000PF 16V M 8P	CP03	1
9		2340747008	CAP_ARRAY P=0.8 85°C	1206Y5V 47.000PF 16V M 8P	CP04	1
10		2340747008	CAP_ARRAY P=0.8 85°C	1206Y5V 47.000PF 16V M 8P	CP05	1
11		2340747008	CAP_ARRAY P=0.8 85°C	1206Y5V 47.000PF 16V M 8P	CP06	1
12		2340747008	CAP_ARRAY P=0.8 85°C	1206Y5V 47.000PF 16V M 8P	CP07	1
13		2340747008	CAP_ARRAY P=0.8 85°C	1206Y5V 47.000PF 16V M 8P	CP08	1
14		2340747008	CAP_ARRAY P=0.8 85°C	1206Y5V 47.000PF 16V M 8P	CP09	1
15		2340747008	CAP_ARRAY P=0.8 85°C	1206Y5V 47.000PF 16V M 8P	CP10	1
16		2340747008	CAP_ARRAY P=0.8 85°C	1206Y5V 47.000PF 16V M 8P	CP11	1
17		2340747008	CAP_ARRAY P=0.8 85°C	1206Y5V 47.000PF 16V M 8P	CP12	1
18	E-C-0404-3815	2346410496	CAP_CHIP 85°C	CS 0603/Y5V/50V 0.1u Z T	C101	1
19	E-C-0404-3815	2346410496	CAP_CHIP 85°C	CS 0603/Y5V/50V 0.1u Z T	C102	1
20	E-C-0404-3815	2346410496	CAP_CHIP 85°C	CS 0603/Y5V/50V 0.1u Z T	C103	1
21	E-C-0404-3900	2341133096	CAP_CHIP 125°C	CS 0603/COG/50V 33p J T	C104	1
22		2341105096	CAP_CHIP 125°C	1608COG 5.000PF 16V M 8P	C105	1
23		2341105096	CAP_CHIP 125°C	1608COG 5.000PF 50V J T	C106	1
24		2341105096	CAP_CHIP 125°C	1608COG 5.000PF 50V J T	C107	1
25	E-C-0404-3900	2341133096	CAP_CHIP 125°C	CS 0603/COG/50V 33p J T	C108	1
26	E-C-0404-3815	2346410496	CAP_CHIP 85°C	CS 0603/Y5V/50V 0.1u Z T	C109	1
27		2341115196	CAP_CHIP 125°C	CS 0603/COG/50V 150p J T	C110	1
28	E-C-0404-3900	2341133096	CAP_CHIP 125°C	CS 0603/COG/50V 33p J T	C111	1
29	E-C-0404-3815	2346410496	CAP_CHIP 85°C	CS 0603/Y5V/50V 0.1u Z T	C113	1
30	E-C-0404-3815	2346410496	CAP_CHIP 85°C	CS 0603/Y5V/50V 0.1u Z T	C120	1
31	E-C-0404-3815	2346410496	CAP_CHIP 85°C	CS 0603/Y5V/50V 0.1u Z T	C122	1
32	E-C-0404-3815	2346410496	CAP_CHIP 85°C	CS 0603/Y5V/50V 0.1u Z T	C123	1
33	E-C-0404-3815	2346410496	CAP_CHIP 85°C	CS 0603/Y5V/50V 0.1u Z T	C124	1
34	E-C-0404-3815	2346410496	CAP_CHIP 85°C	CS 0603/Y5V/50V 0.1u Z T	C125	1
35	E-C-0404-3815	2346410496	CAP_CHIP 85°C	CS 0603/Y5V/50V 0.1u Z T	C127	1
36	E-C-0404-3815	2346410496	CAP_CHIP 85°C	CS 0603/Y5V/50V 0.1u Z T	C128	1
37	E-C-0404-3815	2346410496	CAP_CHIP 85°C	CS 0603/Y5V/50V 0.1u Z T	C130	1
38	E-C-0404-4224	2341147096	CAP_CHIP 125°C	CS 0603/COG/50V 47p J T	C133	1
39		2341115196	CAP_CHIP 125°C	CS 0603/COG/50V 150p J T	C135	1
40		2346122396	CAP_CHIP 125°C	CS 0603/X7R/50V 0.022u K T	C136	1
41	E-C-0404-4424	2346110396	CAP_CHIP 125°C	CS 0603/X7R/50V 0.01u K T	C137	1
42		2346147296	CAP_CHIP 125°C	CS 0603/X7R/50V 4700p K T	C138	1
43		2346147296	CAP_CHIP 125°C	CS 0603/X7R/50V 4700p K T	C141	1
44	E-C-0404-4424	2346110396	CAP_CHIP 125°C	CS 0603/X7R/50V 0.01u K T	C142	1
45		2346147296	CAP_CHIP 125°C	CS 0603/X7R/50V 4700p K T	C143	1
46	E-C-0404-3815	2346410496	CAP_CHIP 85°C	CS 0603/Y5V/50V 0.1u Z T	C144	1
47	E-C-0404-3815	2346410496	CAP_CHIP 85°C	CS 0603/Y5V/50V 0.1u Z T	C145	1
48	E-C-0404-3815	2346410496	CAP_CHIP 85°C	CS 0603/Y5V/50V 0.1u Z T	C146	1
49	E-C-0404-4423	2341122096	CAP_CHIP 125°C	CS 0603/COG/50V 22p J T	C147	1
50	E-C-0404-4423	2341122096	CAP_CHIP 125°C	CS 0603/COG/50V 22p J T	C148	1
51	E-C-0404-3815	2346410496	CAP_CHIP 85°C	CS 0603/Y5V/50V 0.1u Z T	C149	1
52	E-C-0404-3815	2346410496	CAP_CHIP 85°C	CS 0603/Y5V/50V 0.1u Z T	C150	1
53	E-C-0404-3815	2346410496	CAP_CHIP 85°C	CS 0603/Y5V/50V 0.1u Z T	C155	1
54	E-C-0404-3815	2346410496	CAP_CHIP 85°C	CS 0603/Y5V/50V 0.1u Z T	C156	1
55	E-C-0404-3815	2346410496	CAP_CHIP 85°C	CS 0603/Y5V/50V 0.1u Z T	C157	1
56	E-C-0404-3815	2346410496	CAP_CHIP 85°C	CS 0603/Y5V/50V 0.1u Z T	C163	1
57	E-C-0404-4423	2341122096	CAP_CHIP 125°C	CS 0603/COG/50V 22p J T	C164	1
58	E-C-0404-4423	2341122096	CAP_CHIP 125°C	CS 0603/COG/50V 22p J T	C165	1
59	E-C-0404-3815	2346410496	CAP_CHIP 85°C	CS 0603/Y5V/50V 0.1u Z T	C170	1
60	E-C-0404-3815	2346410496	CAP_CHIP 85°C	CS 0603/Y5V/50V 0.1u Z T	C171	1
61	E-C-0404-3815	2346410496	CAP_CHIP 85°C	CS 0603/Y5V/50V 0.1u Z T	C173	1
62	E-C-0404-3815	2346410496	CAP_CHIP 85°C	CS 0603/Y5V/50V 0.1u Z T	C174	1
63	E-C-0404-3815	2346410496	CAP_CHIP 85°C	CS 0603/Y5V/50V 0.1u Z T	C175	1
64	E-C-0404-3815	2346410496	CAP_CHIP 85°C	CS 0603/Y5V/50V 0.1u Z T	C220	1
65	E-C-0404-3815	2346410496	CAP_CHIP 85°C	CS 0603/Y5V/50V 0.1u Z T	C283	1
66	E-C-0404-3815	2346410496	CAP_CHIP 85°C	CS 0603/Y5V/50V 0.1u Z T	C284	1
67	E-C-0404-3815	2346410496	CAP_CHIP 85°C	CS 0603/Y5V/50V 0.1u Z T	C285	1
68	E-C-0404-3815	2346410496	CAP_CHIP 85°C	CS 0603/Y5V/50V 0.1u Z T	C286	1
69	E-C-0404-3815	2346410496	CAP_CHIP 85°C	CS 0603/Y5V/50V 0.1u Z T	C287	1
70	E-D-0403-1667	2364600196	DIODE,SWITCH SMD	LL4148 3.5X1.5φ TEMIC GS08	D103 RA	1
71	E-D-0403-2041	2364600396	DIODE,SWITCH SMD	LL4148 DIODES MINIMELF	D103 RB	1
72	E-D-0403-1667	2364600196	DIODE,SWITCH SMD	LL4148 3.5X1.5φ TEMIC GS08	D104 RA	1
73	E-D-0403-2041	2364600396	DIODE,SWITCH SMD	LL4148 DIODES MINIMELF	D104 RB	1
74	E-D-0403-1667	2364600196	DIODE,SWITCH SMD	LL4148 3.5X1.5φ TEMIC GS08	D105 RA	1
75	E-D-0403-2041	2364600396	DIODE,SWITCH SMD	LL4148 DIODES MINIMELF	D105 RB	1
76		2364503386	DIODE,ZENER SMD	BZV55-C3V3 3.23V~3.7V PHILIPS	D106 RA	1
77		2364503396	DIODE,ZENER SMD	RLZ3.3B 3.32~3.53V 0.5W ROHM	D106 RB	1
78		2364503386	DIODE,ZENER SMD	BZV55-C3V3 3.23V~3.7V PHILIPS	D107 RA	1
79		2364503396	DIODE,ZENER SMD	RLZ3.3B 3.32~3.53V 0.5W ROHM	D107 RB	1
80	E-D-0403-1667	2364600196	DIODE,SWITCH SMD	LL4148 3.5X1.5φ TEMIC GS08	D108 RA	1

Item	ViewSonic P/N	Ref. P/N	Description		Location	Q'ty
81	E-D-0403-2041	2364600396	DIODE,SWITCH SMD	LL4148 DIODES MINIMELF	D108 RB	1
82	E-D-0403-1667	2364600196	DIODE,SWITCH SMD	LL4148 3.5X1.5φ TEMIC GS08	D109 RA	1
83	E-D-0403-2041	2364600396	DIODE,SWITCH SMD	LL4148 DIODES MINIMELF	D109 RB	1
84	E-D-0403-1667	2364600196	DIODE,SWITCH SMD	LL4148 3.5X1.5φ TEMIC GS08	D110 RA	1
85	E-D-0403-2041	2364600396	DIODE,SWITCH SMD	LL4148 DIODES MINIMELF	D110 RB	1
86		2253400096	RES,CHIP 1/4	RC 1206 1/4 W 0ohm J T	D111	1
87		2364503386	DIODE,ZENER SMD	BZV55-C3V3 3.23V~3.7V PHILIPS	D113 RA	1
88		2364503396	DIODE,ZENER SMD	RLZ3.3B 3.32~3.53V 0.5W ROHM	D113 RB	1
89	E-D-0403-1779	2364503996	DIODE,ZENER SMD	BZV55-C5V6 PHILIPS	D114	1
90	E-D-0403-1779	2364503996	DIODE,ZENER SMD	BZV55-C5V6 PHILIPS	D115	1
91		2365808196	IC,LINEAR(SMD)	AP1117E-3.3V SOT-223 ATC	I103 RA	1
92		2365801496	IC,LINEAR(SMD)	RC1117ST-3.3 SOT223 FAIRCHILD	I103 RB	1
93		2365800796	IC,LINEAR(SMD)	LD1117DT33 TO-252 SGS	I103 RC	1
94		2365808396	IC,LINEAR(SMD)	AIC1117-33CY AIC SOT-223	I103 RD	1
95		2365808196	IC,LINEAR(SMD)	AP1117E-3.3V SOT-223 ATC	I104 RA	1
96		2365801496	IC,LINEAR(SMD)	RC1117ST-3.3 SOT223 FAIRCHILD	I104 RB	1
97		2365808396	IC,LINEAR(SMD)	AIC1117-33CY AIC SOT-223	I104 RC	1
98		2365808196	IC,LINEAR(SMD)	AP1117E-3.3V SOT-223 ATC	I106 RA	1
99		2365801496	IC,LINEAR(SMD)	RC1117ST-3.3 SOT223 FAIRCHILD	I106 RB	1
100		2365808396	IC,LINEAR(SMD)	AIC1117-33CY AIC SOT-223	I106 RC	1
101		2365811196	IC,LINEAR(SMD)	AP1117E25A(2.5V) SOT223 ATC	I113 RA	1
102		2365808596	IC,LINEAR(SMD)	CM1117KCM-2.5V SOT223 CHAMPION	I113 RB	1
103	E-R-0405-7001	2253233096	RES,CHIP 1/10W	RC 0603 1/10W 33 ohm J T	L101	1
104	E-R-0405-7001	2253233096	RES,CHIP 1/10W	RC 0603 1/10W 33 ohm J T	L102	1
105	E-R-0405-7001	2253233096	RES,CHIP 1/10W	RC 0603 1/10W 33 ohm J T	L103	1
106	E-L-0407-1535	2379820196	BEAD,HI-IMPEDANCE	Z= 200ohm(100MHZ~) 0805 200mA	L104	1
107	E-L-0407-1535	2379820196	BEAD,HI-IMPEDANCE	Z= 200ohm(100MHZ~) 0805 200mA	L105	1
108	E-L-0407-1535	2379820196	BEAD,HI-IMPEDANCE	Z= 200ohm(100MHZ~) 0805 200mA	L106	1
109	E-L-0407-1535	2379820196	BEAD,HI-IMPEDANCE	Z= 200ohm(100MHZ~) 0805 200mA	L108	1
110	E-L-0407-1535	2379820196	BEAD,HI-IMPEDANCE	Z= 200ohm(100MHZ~) 0805 200mA	L109	1
111	E-L-0407-1535	2379820196	BEAD,HI-IMPEDANCE	Z= 200ohm(100MHZ~) 0805 200mA	L110	1
112	E-L-0407-1535	2379820196	BEAD,HI-IMPEDANCE	Z= 200ohm(100MHZ~) 0805 200mA	L111	1
113		2379520196	BEAD,L-CURRENT	Z= 200ohm 0805 I>2.0A	L112	1
114	E-L-0407-1535	2379820196	BEAD,HI-IMPEDANCE	Z= 200ohm(100MHZ~) 0805 200mA	L113	1
115	E-L-0407-1535	2379820196	BEAD,HI-IMPEDANCE	Z= 200ohm(100MHZ~) 0805 200mA	L114	1
116	E-L-0407-1535	2379820196	BEAD,HI-IMPEDANCE	Z= 200ohm(100MHZ~) 0805 200mA	L115	1
117	E-L-0407-1535	2379820196	BEAD,HI-IMPEDANCE	Z= 200ohm(100MHZ~) 0805 200mA	L116	1
118		2407630250	SOCKET,SMD	6240-50-OR5P 0.5*50P KYOCERA	P105 RA	1
119		2407630350	SOCKET,SMD	2206BL11250RLP 0.5*50P FRANCON	P105 RB	1
120		2407630250	SOCKET,SMD	6240-50-OR5P 0.5*50P KYOCERA	P106 RA	1
121		2407630350	SOCKET,SMD	2206BL11250RLP 0.5*50P FRANCON	P106 RB	1
122	E-R-0405-6422	2259247008	RES,CHIP NETWORKS	8P4R 1/16W 47ohm J P=0.8	RP02	1
123	E-R-0405-6422	2259247008	RES,CHIP NETWORKS	8P4R 1/16W 47ohm J P=0.8	RP03	1
124	E-R-0405-6422	2259247008	RES,CHIP NETWORKS	8P4R 1/16W 47ohm J P=0.8	RP04	1
125	E-R-0405-6422	2259247008	RES,CHIP NETWORKS	8P4R 1/16W 47ohm J P=0.8	RP05	1
126	E-R-0405-6422	2259247008	RES,CHIP NETWORKS	8P4R 1/16W 47ohm J P=0.8	RP06	1
127	E-R-0405-6422	2259247008	RES,CHIP NETWORKS	8P4R 1/16W 47ohm J P=0.8	RP07	1
128	E-R-0405-6422	2259247008	RES,CHIP NETWORKS	8P4R 1/16W 47ohm J P=0.8	RP08	1
129	E-R-0405-6422	2259247008	RES,CHIP NETWORKS	8P4R 1/16W 47ohm J P=0.8	RP09	1
130	E-R-0405-6422	2259247008	RES,CHIP NETWORKS	8P4R 1/16W 47ohm J P=0.8	RP10	1
131	E-R-0405-6422	2259247008	RES,CHIP NETWORKS	8P4R 1/16W 47ohm J P=0.8	RP11	1
132	E-R-0405-6422	2259247008	RES,CHIP NETWORKS	8P4R 1/16W 47ohm J P=0.8	RP12	1
133	E-R-0405-6422	2259247008	RES,CHIP NETWORKS	8P4R 1/16W 47ohm J P=0.8	RP13	1
134		2379380006	BEAD,HI-IMPEDANCE	Z= 80ohm(200MHZ~) 0603 200mA	R078	1
135		2251275096	RES,CHIP 1/10	RC 0603 1/10W 75 ohm F T	R100	1
136		2251275096	RES,CHIP 1/10	RC 0603 1/10W 75 ohm F T	R101	1
137		2251275096	RES,CHIP 1/10	RC 0603 1/10W 75 ohm F T	R102	1
138	E-R-0405-6409	2253210196	RES,CHIP 1/10W	RC 0603 1/10W 100 ohm J T	R103	1
139	E-R-0405-6409	2253210196	RES,CHIP 1/10W	RC 0603 1/10W 100 ohm J T	R104	1
140	E-R-0405-6603	2253222096	RES,CHIP 1/10W	RC 0603 1/10W 22 ohm J T	R105	1
141	E-R-0405-6409	2253210196	RES,CHIP 1/10W	RC 0603 1/10W 100 ohm J T	R107	1
142	E-R-0405-6412	2253220196	RES,CHIP 1/10W	RC 0603 1/10W 200 ohm J T	R110	1
143	E-R-0405-6412	2253220196	RES,CHIP 1/10W	RC 0603 1/10W 200 ohm J T	R111	1
144	E-R-0405-6603	2253222096	RES,CHIP 1/10W	RC 0603 1/10W 22 ohm J T	R113	1
145	E-R-0405-6603	2253222096	RES,CHIP 1/10W	RC 0603 1/10W 22 ohm J T	R115	1
146	E-R-0405-6411	2253210396	RES,CHIP 1/10W	RC 0603 1/10W 10Kohm J T	R116	1
147	E-R-0405-6411	2253210396	RES,CHIP 1/10W	RC 0603 1/10W 10Kohm J T	R117	1
148	E-R-0405-6603	2253222096	RES,CHIP 1/10W	RC 0603 1/10W 22 ohm J T	R122	1
149	E-R-0405-6411	2253210396	RES,CHIP 1/10W	RC 0603 1/10W 10Kohm J T	R124	1
150	E-R-0405-6409	2253210196	RES,CHIP 1/10W	RC 0603 1/10W 100 ohm J T	R125	1
151	E-R-0405-6409	2253210196	RES,CHIP 1/10W	RC 0603 1/10W 100 ohm J T	R127	1
152	E-R-0405-6409	2253210196	RES,CHIP 1/10W	RC 0603 1/10W 100 ohm J T	R128	1
153		2379380006	BEAD,HI-IMPEDANCE	Z= 80ohm(200MHZ~) 0603 200mA	R131	1
154	E-R-0405-6600	2253200096	RES,CHIP 1/10W	RC 0603 1/10W 0 ohm J T	R132	1
155	E-R-0405-6603	2253222096	RES,CHIP 1/10W	RC 0603 1/10W 22 ohm J T	R133	1
156	E-R-0405-6600	2253200096	RES,CHIP 1/10W	RC 0603 1/10W 0 ohm J T	R134	1
157	E-R-0405-6603	2253222096	RES,CHIP 1/10W	RC 0603 1/10W 22 ohm J T	R135	1
158	E-R-0405-6603	2253222096	RES,CHIP 1/10W	RC 0603 1/10W 22 ohm J T	R139	1
159	E-R-0405-6603	2253222096	RES,CHIP 1/10W	RC 0603 1/10W 22 ohm J T	R141	1
160		2379380006	BEAD,HI-IMPEDANCE	Z= 80ohm(200MHZ~) 0603 200mA	R142	1
161	E-R-0405-6601	2253210596	RES,CHIP 1/10W	RC 0603 1/10W 1Mohm J T	R144	1
162	E-R-0405-6411	2253210396	RES,CHIP 1/10W	RC 0603 1/10W 10Kohm J T	R146	1

Item	ViewSonic P/N	Ref. P/N	Description		Location	Q'ty
163	E-R-0405-6410	2253210296	RES,CHIP 1/10W	RC 0603 1/10W 1Kohm J T	R150	1
164		2379312166	BEAD,HI-IMPEDANCE	Z= 120ohm( 50MHZ~) 0603 200mA	R151	1
165		2251275096	RES,CHIP 1/10	RC 0603 1/10W 75 ohm F T	R152	1
166		2379312166	BEAD,HI-IMPEDANCE	Z= 120ohm( 50MHZ~) 0603 200mA	R153	1
167		2251275096	RES,CHIP 1/10	RC 0603 1/10W 75 ohm F T	R154	1
168		2379312166	BEAD,HI-IMPEDANCE	Z= 120ohm( 50MHZ~) 0603 200mA	R155	1
169		2251275096	RES,CHIP 1/10	RC 0603 1/10W 75 ohm F T	R156	1
170	E-R-0405-6411	2253210396	RES,CHIP 1/10W	RC 0603 1/10W 10Kohm J T	R157	1
171		2253282296	RES,CHIP 1/10W	RC 0603 1/10W 8.2Kohm J T	R158	1
172	E-R-0405-6411	2253210396	RES,CHIP 1/10W	RC 0603 1/10W 10Kohm J T	R228	1
173	E-R-0405-6606	2253233196	RES,CHIP 1/10W	RC 0603 1/10W 330 ohm J T	R229	1
174		2365929196	IC,DIGITAL SMD	MV3 PQFP-160P MRT	U001	1
175		2056603050	SERIAL LABEL	VIEWSONIC LCD SERIAL LABEL	6P56	1
177		2336322613	CAP,MINI ELE 105°C	EC 22u/ 16V 4*7 P=2.5 T	C114	1
178		2336322791	CAP,MINI ELE 105°C	EC 220u/ 16V 8*7 P=5.0 T	C115	1
179		2336322613	CAP,MINI ELE 105°C	EC 22u/ 16V 4*7 P=2.5 T	C116	1
180		2336610613	CAP,MINI ELE 105°C	EC 10u/ 50V 5*7 P=2.5 T	C117	1
181		2336322613	CAP,MINI ELE 105°C	EC 22u/ 16V 4*7 P=2.5 T	C118	1
182		2336310713	CAP,MINI ELE 105°C	EC 100u/ 16V 6.3*7 P=2.5 T	C119	1
183		2336610613	CAP,MINI ELE 105°C	EC 10u/ 50V 5*7 P=2.5 T	C121	1
184		2336610613	CAP,MINI ELE 105°C	EC 10u/ 50V 5*7 P=2.5 T	C214	1
185		2336610613	CAP,MINI ELE 105°C	EC 10u/ 50V 5*7 P=2.5 T	C215	1
186		2336610613	CAP,MINI ELE 105°C	EC 10u/ 50V 5*7 P=2.5 T	C216	1
187		2336610613	CAP,MINI ELE 105°C	EC 10u/ 50V 5*7 P=2.5 T	C217	1
188		2336610613	CAP,MINI ELE 105°C	EC 10u/ 50V 5*7 P=2.5 T	C218	1
189		2336610613	CAP,MINI ELE 105°C	EC 10u/ 50V 5*7 P=2.5 T	C219	1
190		2336310713	CAP,MINI ELE 105°C	EC 100u/ 16V 6.3*7 P=2.5 T	C221	1
191		2336322613	CAP,MINI ELE 105°C	EC 22u/ 16V 4*7 P=2.5 T	C222	1
192		2336610613	CAP,MINI ELE 105°C	EC 10u/ 50V 5*7 P=2.5 T	C223	1
193		2336610613	CAP,MINI ELE 105°C	EC 10u/ 50V 5*7 P=2.5 T	C224	1
194		2336610613	CAP,MINI ELE 105°C	EC 10u/ 50V 5*7 P=2.5 T	C225	1
196		2404338112	CONNECTOR	JST B-PH 13PIN P=2.0 OR EQUAL	P101 RA	1
197		2404371012	CONNECTOR	JST PH 13P TOP P=2.0 OR EQUAL	P101 RB	1
198		2404212022	PIN PLUG	11*2P TOP P=2.0	P102	1
199		2202513200	PCB MULTILAYER	JT166K17 M/B FR4*2 100*80 1.00	U101	1
200	E-X-0415-0119	2369103601	XTAL,OSC	12.000MHZ/49US	X101	1
202		2071666500	SHIELD PLATE	JT166KP17 SPT t=0.3 MAIN BD	1F13	1
203		2082720062	SCREW,BND+	SCREW BND+ M2X6	1F14	4
204		2081430062	SCREW,(WASH)	M3X6 P=0.5(TOOTH WASHER)	1F15	4
208		2363703891	LED	LED 3φ GRN/YEL	D701	1
209		2403702513	SWITCH,TACT	TSTA-2 4.3mm 160g HUA JIE	S701	1
210		2403702513	SWITCH,TACT	TSTA-2 4.3mm 160g HUA JIE	S702	1
211		2403702513	SWITCH,TACT	TSTA-2 4.3mm 160g HUA JIE	S703	1
212		2403702513	SWITCH,TACT	TSTA-2 4.3mm 160g HUA JIE	S704	1
213		2403702513	SWITCH,TACT	TSTA-2 4.3mm 160g HUA JIE	S705	1
215	M-WR-0828-0450	2428106075	JUMPER	0.6φ7.50MM	J701	1
216	M-WR-0828-0450	2428106075	JUMPER	0.6φ7.50MM	J702	1
217	B-KB-0207-0040	2202120102	PC BOARD	VE155 K/B PAPER 140*15 3.00	U701	1
219		2427408181	WIRE HARNESS	8P H/B 1061#26 L=180mm P=2.0	P701	1
223	E-C-0404-4212	2347410596	CAP,CHIP 85°C	CS 0805/Y5V/50V 1.0u Z T	C301	1
224	E-C-0404-3815	2347410496	CAP,CHIP 85°C	CS 0805/Y5V/50V 0.1u Z T	C302	1
225		2342122096	CAP,CHIP 125°C	CS 0805/COG/50V 22p J T	C305	1
226		2342122096	CAP,CHIP 125°C	CS 0805/COG/50V 22p J T	C306	1
227	E-C-0404-3815	2347410496	CAP,CHIP 85°C	CS 0805/Y5V/50V 0.1u Z T	C307	1
228	E-C-0404-3815	2347410496	CAP,CHIP 85°C	CS 0805/Y5V/50V 0.1u Z T	C308	1
229	E-C-0404-3815	2347410496	CAP,CHIP 85°C	CS 0805/Y5V/50V 0.1u Z T	C309	1
230	E-C-0404-3815	2347410496	CAP,CHIP 85°C	CS 0805/Y5V/50V 0.1u Z T	C310	1
231	E-C-0404-3815	2347410496	CAP,CHIP 85°C	CS 0805/Y5V/50V 0.1u Z T	C311	1
232	E-C-0404-3815	2347410496	CAP,CHIP 85°C	CS 0805/Y5V/50V 0.1u Z T	C312	1
233	E-C-0404-3815	2347410496	CAP,CHIP 85°C	CS 0805/Y5V/50V 0.1u Z T	C317	1
234		2349122396	CAP,CHIP 125°C	CS 1206/X7R/50V 0.022u K T	C826	1
235		2342122096	CAP,CHIP 125°C	CS 0805/COG/50V 22p J T	C836	1
236		2347110396	CAP,CHIP 125°C	CS 0805/X7R/50V 0.01u K T	C837	1
237		2347122396	CAP,CHIP 125°C	CS 0805/X7R/50V 0.022u K T	C838	1
238		2347110496	CAP,CHIP 125°C	CS 0805/X7R/50V 0.1u K T	C849	1
239		2347122396	CAP,CHIP 125°C	CS 0805/X7R/50V 0.022u K T	C852	1
240		2349022596	CAP,CHIP 125°C	CS 1206/X7R/25V 2.2u K T	C859	1
241		2347447396	CAP,CHIP 85°C	CS 0805/Y5V/50V 0.047u Z T	C861	1
242		2342122196	CAP,CHIP 125°C	CS 0805/COG/50V 220p J T	C863	1
243	E-C-0404-4212	2347410596	CAP,CHIP 85°C	CS 0805/Y5V/50V 1.0u Z T	C864	1
244		2347247496	CAP,CHIP 125°C	CS 0805/X7R/25V 0.47u K T	C865	1
245	E-C-0404-4212	2347410596	CAP,CHIP 85°C	CS 0805/Y5V/50V 1.0u Z T	C866	1
246		2347110396	CAP,CHIP 125°C	CS 0805/X7R/50V 0.01u K T	C867	1
247		2347147296	CAP,CHIP 125°C	0805X7R 4700.000PF 50V K T	C868	1
248		2347133296	CAP,CHIP 125°C	0805X7R 3300.000PF 50V K T	C869	1
249		2347110496	CAP,CHIP 125°C	CS 0805/X7R/50V 0.1u K T	C870	1
250		2347110496	CAP,CHIP 125°C	CS 0805/X7R/50V 0.1u K T	C871	1
251		2347447396	CAP,CHIP 85°C	CS 0805/Y5V/50V 0.047u Z T	C872	1
252		2347110396	CAP,CHIP 125°C	CS 0805/X7R/50V 0.01u K T	C873	1
253		2347115296	CAP,CHIP 125°C	CS 0805/X7R/50V 1500p K T	C874	1
254		2347110496	CAP,CHIP 125°C	CS 0805/X7R/50V 0.1u K T	C875	1
255		2349022596	CAP,CHIP 125°C	CS 1206/X7R/25V 2.2u K T	C878	1

Item	ViewSonic P/N	Ref. P/N	Description	Location	Q'ty	
256		2347110396	CAP_CHIP 125°C	CS 0805/X7R/50V 0.01u K T	C892	1
257	E-D-0403-2088	2364201496	DIODE,RECT(SMD)	EC10QS04-TE12L NI	D301	1
258	E-D-0403-2088	2364201496	DIODE,RECT(SMD)	EC10QS04-TE12L NI	D303	1
259	E-D-0403-1667	2364600196	DIODE,SWITCH SMD	LL4148 3.5X1.5φ TEMIC GS08	D306 RA	1
260	E-D-0403-2041	2364600396	DIODE,SWITCH SMD	LL4148 DIODES MINIMELF	D306 RB	1
261		2364300896	DIODE,SCHOTTKY(SMD)	EP05Q04-TE8L 0.4A/40V NI	D811 RA	1
262		2364301396	DIODE,SCHOTTKY(SMD)	SS0540 PEC	D811 RB	1
263	E-D-0403-2088	2364201496	DIODE,RECT(SMD)	EC10QS04-TE12L NI	D812	1
264		2364300896	DIODE,SCHOTTKY(SMD)	EP05Q04-TE8L 0.4A/40V NI	D815 RA	1
265		2364301396	DIODE,SCHOTTKY(SMD)	SS0540 PEC	D815 RB	1
266		2364300896	DIODE,SCHOTTKY(SMD)	EP05Q04-TE8L 0.4A/40V NI	D816 RA	1
267		2364301396	DIODE,SCHOTTKY(SMD)	SS0540 PEC	D816 RB	1
268		2364300896	DIODE,SCHOTTKY(SMD)	EP05Q04-TE8L 0.4A/40V NI	D817 RA	1
269		2364301396	DIODE,SCHOTTKY(SMD)	SS0540 PEC	D817 RB	1
270		2364300896	DIODE,SCHOTTKY(SMD)	EP05Q04-TE8L 0.4A/40V NI	D818 RA	1
271		2364301396	DIODE,SCHOTTKY(SMD)	SS0540 PEC	D818 RB	1
272	E-D-0403-1666	2364500396	DIODE,ZENER SMD	RLZ5.6B 5.45-5.73V 0.5W ROHM	D822	1
273	E-D-0403-1666	2364500396	DIODE,ZENER SMD	RLZ5.6B 5.45-5.73V 0.5W ROHM	D823	1
274	E-D-0403-1666	2364500396	DIODE,ZENER SMD	RLZ5.6B 5.45-5.73V 0.5W ROHM	D824	1
275		2364600996	DIODE,SWITCH SMD	BAV99 SOT-23 DIODES	D825 RA	1
276		2364601096	DIODE,SWITCH SMD	BAV99 SOT-23 PHILIPS	D825 RB	1
277		2364600996	DIODE,SWITCH SMD	BAV99 SOT-23 DIODES	D826 RA	1
278		2364601096	DIODE,SWITCH SMD	BAV99 SOT-23 PHILIPS	D826 RB	1
279		2364600996	DIODE,SWITCH SMD	BAV99 SOT-23 DIODES	D827 RA	1
280		2364601096	DIODE,SWITCH SMD	BAV99 SOT-23 PHILIPS	D827 RB	1
281		2364509146	DIODE,ZENER SMD	RLZ9.1B 8.57-9.01V 0.5W ROHM	D828	1
282		2251400096	RES_CHIP 1/4	RC 1/4W 0.00 F	F805	1
283		2365808196	IC,LINEAR(SMD)	AP1117E-3.3V SOT-223 ATC	I303 RA	1
284		2365801496	IC,LINEAR(SMD)	RC1117ST-3.3 SOT223 FAIRCHILD	I303 RB	1
285		2365808396	IC,LINEAR(SMD)	AIC1117-33CY AIC SOT-223	I303 RC	1
286		2365810696	IC,LINEAR(SMD)	OZ960G SOP-20 MICRO	I804	1
287		2365807296	IC,LINEAR(SMD)	AIC1341CS AIC SO16	I807	1
288		2360700196	FET P&N-CH	SI4532ADY SO-8 VISHAY	I810 RA	1
289		2360700496	FET P&N-CH	AP4532M SO-8 APEC	I810 RB	1
290		2360700396	FET P&N-CH	AO4600 SO-8 ALPHA	I810 RC	1
291		2360700196	FET P&N-CH	SI4532ADY SO-8 VISHAY	I811 RA	1
292		2360700496	FET P&N-CH	AP4532M SO-8 APEC	I811 RB	1
293		2360700396	FET P&N-CH	AO4600 SO-8 ALPHA	I811 RC	1
294	E-L-0407-1371	2379832096	BEAD,HI-IMPEDANCE	Z= 32ohm(100MHZ~) 0805 300mA	L302	1
295	E-L-0407-1371	2379832096	BEAD,HI-IMPEDANCE	Z= 32ohm(100MHZ~) 0805 300mA	L303	1
296	E-L-0407-1211	2379620196	BEAD,HI-IMPEDANCE	Z= 200ohm(100MHZ~) 1206 300mA	L806	1
297	E-Q-0402-1608	2360300896	XISTOR,NPN R SMD	MMBT3904 FAIRCHILD SOT23	Q301 RA	1
298	E-Q-0402-1180	2360301296	XISTOR,NPN R SMD	MMBT3904 DIODES SOT-23	Q301 RB	1
299	E-Q-0402-1608	2360300896	XISTOR,NPN R SMD	MMBT3904 FAIRCHILD SOT23	Q302 RA	1
300	E-Q-0402-1180	2360301296	XISTOR,NPN R SMD	MMBT3904 DIODES SOT-23	Q302 RB	1
301	E-Q-0402-1608	2360300896	XISTOR,NPN R SMD	MMBT3904 FAIRCHILD SOT23	Q303 RA	1
302	E-Q-0402-1180	2360301296	XISTOR,NPN R SMD	MMBT3904 DIODES SOT-23	Q303 RB	1
303	E-Q-0402-1608	2360300896	XISTOR,NPN R SMD	MMBT3904 FAIRCHILD SOT23	Q304 RA	1
304	E-Q-0402-1180	2360301296	XISTOR,NPN R SMD	MMBT3904 DIODES SOT-23	Q304 RB	1
305	E-Q-0402-1608	2360300896	XISTOR,NPN R SMD	MMBT3904 FAIRCHILD SOT23	Q306 RA	1
306	E-Q-0402-1180	2360301296	XISTOR,NPN R SMD	MMBT3904 DIODES SOT-23	Q306 RB	1
307	E-Q-0402-1608	2360300896	XISTOR,NPN R SMD	MMBT3904 FAIRCHILD SOT23	Q307 RA	1
308	E-Q-0402-1180	2360301296	XISTOR,NPN R SMD	MMBT3904 DIODES SOT-23	Q307 RB	1
309	E-Q-0402-1608	2360300896	XISTOR,NPN R SMD	MMBT3904 FAIRCHILD SOT23	Q310 RA	1
310	E-Q-0402-1180	2360301296	XISTOR,NPN R SMD	MMBT3904 DIODES SOT-23	Q310 RB	1
311	E-Q-0402-1611	2360608296	FET,N-CH(SMD)	2SK3065 SC-62 ROHM	Q801	1
312	E-Q-0402-1611	2360608296	FET,N-CH(SMD)	2SK3065 SC-62 ROHM	Q802	1
313	E-Q-0402-1609	2360301096	XISTOR,NPN R SMD	KST2907A FAIRCHILD SOT23	Q804	1
314		2360301696	XISTOR,NPN R SMD	PMBS3904 SOT23 PHILIPS	Q812	1
315		2360301696	XISTOR,NPN R SMD	PMBS3904 SOT23 PHILIPS	Q813	1
316		2360608496	FET,N-CH(SMD)	2N7002K SOT-23 VISHAY	Q814	1
317		2360608496	FET,N-CH(SMD)	2N7002K SOT-23 VISHAY	Q815	1
318		2360100696	XISTOR,PNP R SMD	PMBS3906 SOT23 PHILIPS	Q816	1
319		2253382396	RES_CHIP 1/8	RC 1/8W 82.00K J T2012	R301	1
320	E-R-0405-6001	2253347296	RES_CHIP 1/8	RC 0805 1/8 W 4.7Kohm J T	R302	1
321	E-R-0405-6001	2253347296	RES_CHIP 1/8	RC 0805 1/8 W 4.7Kohm J T	R303	1
322	E-R-0405-6001	2253347296	RES_CHIP 1/8	RC 0805 1/8 W 4.7Kohm J T	R304	1
323	E-R-0405-6001	2253347296	RES_CHIP 1/8	RC 0805 1/8 W 4.7Kohm J T	R305	1
324	E-R-0405-6001	2253347296	RES_CHIP 1/8	RC 0805 1/8 W 4.7Kohm J T	R306	1
325	E-R-0405-6001	2253347296	RES_CHIP 1/8	RC 0805 1/8 W 4.7Kohm J T	R307	1
326		2253310196	RES_CHIP 1/8	RC 0805 1/8 W 100ohm J T	R308	1
327	E-R-0405-6001	2253347296	RES_CHIP 1/8	RC 0805 1/8 W 4.7Kohm J T	R309	1
328		2253310196	RES_CHIP 1/8	RC 0805 1/8 W 100ohm J T	R310	1
329		2253310196	RES_CHIP 1/8	RC 0805 1/8 W 100ohm J T	R311	1
330		2253310196	RES_CHIP 1/8	RC 0805 1/8 W 100ohm J T	R312	1
331	E-R-0405-5991	2253310396	RES_CHIP 1/8	RC 0805 1/8 W 10Kohm J T	R313	1
332		2253310196	RES_CHIP 1/8	RC 0805 1/8 W 100ohm J T	R314	1
333	E-R-0405-5991	2253310396	RES_CHIP 1/8	RC 0805 1/8 W 10Kohm J T	R317	1
334		2253310196	RES_CHIP 1/8	RC 0805 1/8 W 100ohm J T	R319	1
335		2253310196	RES_CHIP 1/8	RC 0805 1/8 W 100ohm J T	R320	1
336	E-R-0405-6001	2253347296	RES_CHIP 1/8	RC 0805 1/8 W 4.7Kohm J T	R321	1
337	E-R-0405-6001	2253347296	RES_CHIP 1/8	RC 0805 1/8 W 4.7Kohm J T	R322	1

Item	ViewSonic P/N	Ref. P/N	Description		Location	Q'ty
338	E-R-0405-6001	2253347296	RES_CHIP 1/8	RC 0805 1/8 W 4.7Kohm J T	R323	1
339	E-R-0405-6001	2253347296	RES_CHIP 1/8	RC 0805 1/8 W 4.7Kohm J T	R324	1
340		2253310196	RES_CHIP 1/8	RC 0805 1/8 W 100ohm J T	R325	1
341		2253310196	RES_CHIP 1/8	RC 0805 1/8 W 100ohm J T	R326	1
342		2253333196	RES_CHIP 1/8	RC 0805 1/8 W 330ohm J T	R327	1
343		2253310196	RES_CHIP 1/8	RC 0805 1/8 W 100ohm J T	R328	1
344		2253310196	RES_CHIP 1/8	RC 0805 1/8 W 100ohm J T	R330	1
345		2253310196	RES_CHIP 1/8	RC 0805 1/8 W 100ohm J T	R331	1
346	E-R-0405-5990	2253310296	RES_CHIP 1/8	RC 0805 1/8 W 1Kohm J T	R332	1
347	E-R-0405-5990	2253310296	RES_CHIP 1/8	RC 0805 1/8 W 1Kohm J T	R334	1
348	E-R-0405-5988	2253300096	RES_CHIP 1/8	RC 0805 1/8 W 0ohm J T	R336	1
349	E-R-0405-5990	2253310296	RES_CHIP 1/8	RC 0805 1/8 W 1Kohm J T	R340	1
350	E-R-0405-6001	2253347296	RES_CHIP 1/8	RC 0805 1/8 W 4.7Kohm J T	R341	1
351		2253310196	RES_CHIP 1/8	RC 0805 1/8 W 100ohm J T	R342	1
352		2253310196	RES_CHIP 1/8	RC 0805 1/8 W 100ohm J T	R344	1
353	E-R-0405-6001	2253347296	RES_CHIP 1/8	RC 0805 1/8 W 4.7Kohm J T	R345	1
354	E-R-0405-6001	2253347296	RES_CHIP 1/8	RC 0805 1/8 W 4.7Kohm J T	R347	1
355	E-R-0405-6001	2253347296	RES_CHIP 1/8	RC 0805 1/8 W 4.7Kohm J T	R348	1
356	E-R-0405-6001	2253347296	RES_CHIP 1/8	RC 0805 1/8 W 4.7Kohm J T	R350	1
357	E-R-0405-5998	2253327296	RES_CHIP 1/8	RC 0805 1/8 W 2.7Kohm J T	R351	1
358		2253310196	RES_CHIP 1/8	RC 0805 1/8 W 100ohm J T	R353	1
359	E-R-0405-6001	2253347296	RES_CHIP 1/8	RC 0805 1/8 W 4.7Kohm J T	R354	1
360	E-R-0405-5991	2253310396	RES_CHIP 1/8	RC 0805 1/8 W 10Kohm J T	R355	1
361	E-R-0405-6001	2253347296	RES_CHIP 1/8	RC 0805 1/8 W 4.7Kohm J T	R356	1
362	E-R-0405-5990	2253310296	RES_CHIP 1/8	RC 0805 1/8 W 1Kohm J T	R357	1
363	E-R-0405-5992	2253310496	RES_CHIP 1/8	RC 0805 1/8 W 100Kohm J T	R358	1
364		2253333396	RES_CHIP 1/8	RC 0805 1/8 W 33Kohm J T	R360	1
365	E-R-0405-6001	2253347296	RES_CHIP 1/8	RC 0805 1/8 W 4.7Kohm J T	R361	1
366	E-R-0405-6001	2253347296	RES_CHIP 1/8	RC 0805 1/8 W 4.7Kohm J T	R362	1
367	E-R-0405-6001	2253347296	RES_CHIP 1/8	RC 0805 1/8 W 4.7Kohm J T	R363	1
368	E-R-0405-5988	2253300096	RES_CHIP 1/8	RC 0805 1/8 W 0ohm J T	R364	1
369		2253456496	RES_CHIP 1/4	RC 1206 1/4 W 560Kohm J T	R801	1
370		2253410096	RES_CHIP 1/4	RC 1206 1/4 W 10ohm J T	R807	1
371		2251420026	RES_CHIP 1/4	RC 1206 1/4 W 20Kohm F T	R808	1
372		2253447996	RES_CHIP 1/4	RC 1206 1/4 W 4.7ohm J T	R809	1
373		2253447996	RES_CHIP 1/4	RC 1206 1/4 W 4.7ohm J T	R810	1
374		2251447016	RES_CHIP 1/4	RC 1206 1/4 W 4.7Kohm F T	R811	1
375		2251424016	RES_CHIP 1/4	RC 1206 1/4 W 2.4Kohm F T	R812	1
376		2253410196	RES_CHIP 1/4	RC 1206 1/4 W 100ohm J T	R813	1
377		2253447196	RES_CHIP 1/4	RC 1206 1/4 W 470ohm J T	R814	1
378		2253412396	RES_CHIP 1/4	RC 1206 1/4 W 12Kohm J T	R815	1
379		2253410996	RES_CHIP 1/4	RC 1206 1/4 W 1ohm J T	R816	1
380		2253456496	RES_CHIP 1/4	RC 1206 1/4 W 560Kohm J T	R819	1
381		2251400096	RES_CHIP 1/4	RC 1/4W 0.00 F	R821	1
382		2253336396	RES_CHIP 1/8	RC 0805 1/8 W 36Kohm J T	R823	1
383	E-R-0405-5988	2253300096	RES_CHIP 1/8	RC 0805 1/8 W 0ohm J T	R824	1
384		2253436196	RES_CHIP 1/4	RC 1206 1/4 W 360ohm J T	R825	1
385	E-R-0405-5991	2253310396	RES_CHIP 1/8	RC 0805 1/8 W 10Kohm J T	R826	1
386	E-R-0405-5999	2253333296	RES_CHIP 1/8	RC 0805 1/8 W 3.3Kohm J T	R827	1
387		2253410096	RES_CHIP 1/4	RC 1206 1/4 W 10ohm J T	R828	1
388		2251333016	RES_CHIP 1/8	RC 0805 1/8 W 3.3Kohm F T	R829	1
389		2251320026	RES_CHIP 1/8	RC 0805 1/8 W 20Kohm F T	R830	1
390		2253311196	RES_CHIP 1/8	RC 0805 1/8 W 110ohm J T	R831	1
391	E-R-0405-5993	2253312396	RES_CHIP 1/8	RC 0805 1/8 W 12Kohm J T	R832	1
392		2253356296	RES_CHIP 1/8	RC 0805 1/8 W 5.6Kohm J T	R833	1
393		2251311516	RES_CHIP 1/8	RC 0805 1/8 W 1.15Kohm F T	R834	1
394		2251314716	RES_CHIP 1/8	RC 0805 1/8 W 1.47Kohm F T	R835	1
395		2251333016	RES_CHIP 1/8	RC 0805 1/8 W 3.3Kohm F T	R836	1
396		2251321026	RES_CHIP 1/8	RC 0805 1/8 W 21Kohm F T	R837	1
397		2253433296	RES_CHIP 1/4	RC 1206 1/4 W 3.3Kohm J T	R838	1
398		2251310026	RES_CHIP 1/8	RC 0805 1/8 W 10Kohm F T	R839	1
399		2251343216	RES_CHIP 1/8	RC 0805 1/8 W 4.32Kohm F T	R841	1
400	E-R-0405-5990	2253310296	RES_CHIP 1/8	RC 0805 1/8 W 1Kohm J T	R842	1
401		2253436196	RES_CHIP 1/4	RC 1206 1/4 W 360ohm J T	R844	1
402	E-R-0405-5992	2253310496	RES_CHIP 1/8	RC 0805 1/8 W 100Kohm J T	R845	1
403	E-R-0405-5991	2253310396	RES_CHIP 1/8	RC 0805 1/8 W 10Kohm J T	R847	1
404		2253447396	RES_CHIP 1/4	RC 1206 1/4 W 47Kohm J T	R850	1
405		2253447296	RES_CHIP 1/4	RC 1206 1/4 W 4.7Kohm J T	R851	1
406		2253447296	RES_CHIP 1/4	RC 1206 1/4 W 4.7Kohm J T	R852	1
407		2253468396	RES_CHIP 1/4	RC 1206 1/4 W 68Kohm J T	R853	1
408		2253427296	RES_CHIP 1/4	RC 1/4W 2.70K J T3216	R854	1
409		2251439026	RES_CHIP 1/4	RC 1206 1/4 W 39Kohm F T	R855	1
410		2251437436	RES_CHIP 1/4	RC 1206 1/4 W 374Kohm F T	R856	1
411		2251410026	RES_CHIP 1/4	RC 1206 1/4 W 10Kohm F T	R857	1
412		2251433026	RES_CHIP 1/4	RC 1206 1/4 W 33Kohm F T	R858	1
413	E-R-0405-5988	2253300096	RES_CHIP 1/8	RC 0805 1/8 W 0ohm J T	R860	1
414	E-R-0405-5991	2253310396	RES_CHIP 1/8	RC 0805 1/8 W 10Kohm J T	R864	1
415	E-R-0405-5989	2253310096	RES_CHIP 1/8	RC 0805 1/8 W 10ohm J T	R865	1
416		2251318036	RES_CHIP 1/8	RC 0805 1/8 W 180Kohm F T	R866	1
417	E-R-0405-5991	2253310396	RES_CHIP 1/8	RC 0805 1/8 W 10Kohm J T	R868	1
418	E-R-0405-5991	2253310396	RES_CHIP 1/8	RC 0805 1/8 W 10Kohm J T	R869	1
419		2251343036	RES_CHIP 1/8	RC 1/8W 430.00K F	R870	1

Item	ViewSonic P/N	Ref. P/N	Description		Location	Q'ty
420		2251322036	RES,CHIP 1/8	RC 0805 1/8 W 220Kohm F T	R871	1
421	E-R-0405-5991	2253310396	RES,CHIP 1/8	RC 0805 1/8 W 10Kohm J T	R872	1
422		2253322096	RES,CHIP 1/8	RC 0805 1/8 W 22ohm J T	R873	1
423		2253322096	RES,CHIP 1/8	RC 0805 1/8 W 22ohm J T	R874	1
424		2253322096	RES,CHIP 1/8	RC 0805 1/8 W 22ohm J T	R875	1
425		2251362026	RES,CHIP 1/8	RC 1/8W 62.00K F	R876	1
426		2251310026	RES,CHIP 1/8	RC 0805 1/8 W 10Kohm F T	R877	1
427		2253322096	RES,CHIP 1/8	RC 0805 1/8 W 22ohm J T	R879	1
428	E-R-0405-5992	2253310496	RES,CHIP 1/8	RC 0805 1/8 W 100Kohm J T	R880	1
429		2253322096	RES,CHIP 1/8	RC 0805 1/8 W 22ohm J T	R881	1
430		2251382506	RES,CHIP 1/8	RC 0805 1/8 W 825ohm F T	R882	1
431		2251327026	RES,CHIP 1/8	RC 0805 1/8 W 27Kohm F T	R883	1
432		2251339036	RES,CHIP 1/8	RC 1/8W 390.00K F	R884	1
433		2253310596	RES,CHIP 1/8	RC 0805 1/8 W 1Mohm J T	R885	1
434	E-R-0405-5992	2253310496	RES,CHIP 1/8	RC 0805 1/8 W 100Kohm J T	R886	1
435		2251351126	RES,CHIP 1/8	RC 1/8W 51.10K F	R887	1
436	E-R-0405-5990	2253310296	RES,CHIP 1/8	RC 0805 1/8 W 1Kohm J T	R888	1
437		2251353616	RES,CHIP 1/8	RC 0805 1/8W 5.36Kohm F T	R889	1
438		2251363406	RES,CHIP 1/8	RC 0805 1/8 W 634ohm F T	R891	1
439		2251400096	RES,CHIP 1/4	RC 1/4W 0.00 F	R892	1
440		2202126200	PC BOARD	L355-17 P/B CEM1 210*192	U801	1
442		2333310691	CAP,ELE 105°C	EC 10u/ 16V 5*11 P=5.0 T	C303	1
443		2333310691	CAP,ELE 105°C	EC 10u/ 16V 5*11 P=5.0 T	C313	1
444		2333322691	CAP,ELE 105°C	EC 22u/ 16V 5*11 P=5.0 T	C315	1
445		2333322691	CAP,ELE 105°C	EC 22u/ 16V 5*11 P=5.0 T	C316	1
446	E-C-0404-2271	2333310791	CAP,ELE 105°C	EC 100u/ 16V 6.3*11 P=5.0 T	C360	1
447		2335310843	CAP,ELE LOW ESR 105°C	EC 1000u/ 16V 10*16 P=5.0 T	C813	1
448		2335310843	CAP,ELE LOW ESR 105°C	EC 1000u/ 16V 10*16 P=5.0 T	C815	1
449		2335310843	CAP,ELE LOW ESR 105°C	EC 1000u/ 16V 10*16 P=5.0 T	C816	1
450		2335310843	CAP,ELE LOW ESR 105°C	EC 1000u/ 16V 10*16 P=5.0 T	C817	1
451		2335310843	CAP,ELE LOW ESR 105°C	EC 1000u/ 16V 10*16 P=5.0 T	C818	1
452		2335310843	CAP,ELE LOW ESR 105°C	EC 1000u/ 16V 10*16 P=5.0 T	C819	1
453		2302010491	CAP_MTL	CF93M 0.100UF 50V J1T	C820	1
454		2283122291	CAP,CER	CK45B 2200.000PF 500V K T	C822	1
455	E-C-0404-1424	2333610591	CAP,ELE 105°C	EC 1u/ 50V 5*11 P=5.0 T	C833	1
456	E-C-0404-4833	2281110491	CAP,CER	CC 0.1u/50V K T	C834	1
457		2335422723	CAP,ELE LOW ESR 105°C	EC 220u/ 25V 8*12 P=5.0 T	C835	1
458	E-C-0404-1838	2333610691	CAP,ELE 105°C	EC 10u/ 50V 5*11 P=5.0 T	C839	1
459	E-C-0404-1424	2333610591	CAP,ELE 105°C	EC 1u/ 50V 5*11 P=5.0 T	C840	1
460	E-C-0404-1424	2333610591	CAP,ELE 105°C	EC 1u/ 50V 5*11 P=5.0 T	C841	1
461	E-C-0404-1833	2333622691	CAP,ELE 105°C	EC 22u/ 50V 5*11 P=5.0 T	C842	1
462	E-C-0404-1836	2333410791	CAP,ELE 105°C	EC 100u/ 25V 6.3*11 P=5.0 T	C843	1
463	E-C-0404-4833	2281110491	CAP,CER	CC 0.1u/50V K T	C844	1
464	E-C-0404-1838	2333610691	CAP,ELE 105°C	EC 10u/ 50V 5*11 P=5.0 T	C845	1
465	E-C-0404-1838	2333610691	CAP,ELE 105°C	EC 10u/ 50V 5*11 P=5.0 T	C846	1
466	E-C-0404-1838	2333610691	CAP,ELE 105°C	EC 10u/ 50V 5*11 P=5.0 T	C847	1
467		2333647691	CAP,ELE 105°C	EC 47u/ 50V 8*11 P=5.0 T	C848	1
468	E-C-0404-1836	2333410791	CAP,ELE 105°C	EC 100u/ 25V 6.3*11 P=5.0 T	C850	1
469	E-C-0404-1838	2333610691	CAP,ELE 105°C	EC 10u/ 50V 5*11 P=5.0 T	C851	1
470		2335422723	CAP,ELE LOW ESR 105°C	EC 220u/ 25V 8*12 P=5.0 T	C858	1
471	M-MS-0808-1313	2407200791	HOLDER,FUSE	FC-05C	F806 RA	1
472		2407200991	HOLDER,FUSE	CQ-05T (5mm DIA FUSE)	F806 RB	1
473		2404380202	CONNECTOR	82225-0211 P=8.0mm ACE	P806	1
474		2404380202	CONNECTOR	82225-0211 P=8.0mm ACE	P807	1
475	E-Q-0402-0839	2361111191	XISTOR_PNP R	2SA1020(Y) TOSHIBA	Q311	1
476	E-Q-0402-0718	2361316191	XISTOR_NPN R	2PC945P PHILIPS	Q805 RA	1
477	E-Q-0402-0428	2361302591	XISTOR_NPN R	2SC945(P) TO-92 NEC	Q805 RB	1
478	E-Q-0402-0718	2361316191	XISTOR_NPN R	2PC945P PHILIPS	Q806 RA	1
479	E-Q-0402-0428	2361302591	XISTOR_NPN R	2SC945(P) TO-92 NEC	Q806 RB	1
480	E-C-0404-0801	2361301291	XISTOR_NPN R	2SC2120(Y) TOSHIBA	Q807	1
481	E-Q-0402-0718	2361316191	XISTOR_NPN R	2PC945P PHILIPS	Q810 RA	1
482	E-Q-0402-0428	2361302591	XISTOR_NPN R	2SC945(P) TO-92 NEC	Q810 RB	1
483	E-Q-0402-0839	2361111191	XISTOR_PNP R	2SA1020(Y) TOSHIBA	Q811	1
485		2363231995	DIODE,RECT	UF4007 PEC	D802 RA	1
486		2363223195	DIODE,RECT	UF4007 GS	D802 RB	1
487	E-D-0403-1574	2363501095	DIODE,ZENER	HZ6C-2 6.0-6.3V 0.5W HITACHI	D807 RA	1
488	E-D-0403-1785	2363516295	DIODE,ZENER	BZX79C6V2 5.8-6.6V PHILIPS	D807 RB	1
489		2363504595	DIODE,ZENER	HZ7-A3 6.6V-6.9V 0.5W HITACHI	D808	1
490		2363517695	DIODE,ZENER	HZ18-2 17.5-18.3V 0.5W HITACHI	D809	1
491	E-D-0403-0531	2363600195	DIODE,SWITCH	1N4148 DO-35 T	D810	1
492		2363223095	DIODE,RECT	UF4005 GS	D813	1
493		2363508215	DIODE,ZENER	1N4738A 8.2V 1W DO-41 HITACHI	D820 RA	1
494		2363508225	DIODE,ZENER	1N4738A 8.2V/1W DO-41 PHILIPS	D820 RB	1
495	E-D-0403-1105	2363217595	DIODE,RECT	20D8 IR	D829 RA	1
496	E-D-0403-1531	2363221195	DIODE,RECT	PG208 PEC	D829 RB	1
497	E-D-0403-1105	2363217595	DIODE,RECT	20D8 IR	D830 RA	1
498	E-D-0403-1531	2363221195	DIODE,RECT	PG208 PEC	D830 RB	1
499	E-D-0403-1105	2363217595	DIODE,RECT	20D8 IR	D831 RA	1
500	E-D-0403-1531	2363221195	DIODE,RECT	PG208 PEC	D831 RB	1
501	E-D-0403-1105	2363217595	DIODE,RECT	20D8 IR	D832 RA	1
502	E-D-0403-1531	2363221195	DIODE,RECT	PG208 PEC	D832 RB	1
503	E-FS-0410-0009	2213125207	FUSE	FUSE 2.5A/250V 21502.5 LITTEL	F801 RA	1

Item	ViewSonic P/N	Ref. P/N	Description	Location	Q'ty	
504	E-FS-0410-0102	2213125211	FUSE	FUSE 2.5A/250V SG501302.5 PICO	F801 RB	1
505		2213220295	FUSE MICRO	20N2000FS 2A/125V PICO	F802	1
506		2213225105	FUSE MICRO	20N 0250FS 0.25A PICO	F803	1
507	E-IC-0401-2152	2365321991	IC,LINEAR	KA431AZTA TO-92 FAIRCHILD	I803 RA	1
508		2365328191	IC,LINEAR	AP431VA TO-92 ATC	I803 RB	1
509	E-IC-0401-2152	2365321991	IC,LINEAR	KA431AZTA TO-92 FAIRCHILD	I805 RA	1
510		2365328191	IC,LINEAR	AP431VA TO-92 ATC	I805 RB	1
511	E-IC-0401-2152	2365321991	IC,LINEAR	KA431AZTA TO-92 FAIRCHILD	I806 RA	1
512		2365328191	IC,LINEAR	AP431VA TO-92 ATC	I806 RB	1
513	M-WR-0828-0478	2428106100	JUMPER	0.6φ10.00MM	J301	1
514	M-WR-0828-0478	2428106100	JUMPER	0.6φ10.00MM	J302	1
515	M-WR-0828-0460	2428106125	JUMPER	0.6φ12.50MM	J303	1
516	M-WR-0828-0460	2428106125	JUMPER	0.6φ12.50MM	J304	1
517	M-WR-0828-0450	2428106075	JUMPER	0.6φ7.50MM	J305	1
518	M-WR-0828-0478	2428106100	JUMPER	0.6φ10.00MM	J306	1
519	M-WR-0828-0451	2428106150	JUMPER	0.6φ15.00MM	J307	1
520	M-MS-0808-7939	2428106175	JUMPER	0.6φ17.50MM	J308	1
521	M-WR-0828-0450	2428106075	JUMPER	0.6φ7.50MM	J309	1
522	M-WR-0828-0450	2428106075	JUMPER	0.6φ7.50MM	J310	1
523	M-WR-0828-0450	2428106075	JUMPER	0.6φ7.50MM	J311	1
524	M-WR-0828-0450	2428106075	JUMPER	0.6φ7.50MM	J312	1
525	M-WR-0828-0450	2428106075	JUMPER	0.6φ7.50MM	J313	1
526	M-WR-0828-0460	2428106125	JUMPER	0.6φ12.50MM	J314	1
527	M-WR-0828-0460	2428106125	JUMPER	0.6φ12.50MM	J315	1
528	M-WR-0828-0460	2428106125	JUMPER	0.6φ12.50MM	J316	1
529	M-WR-0828-0450	2428106075	JUMPER	0.6φ7.50MM	J317	1
530	M-WR-0828-0450	2428106075	JUMPER	0.6φ7.50MM	J318	1
531	M-WR-0828-0450	2428106075	JUMPER	0.6φ7.50MM	J319	1
532	M-WR-0828-0450	2428106075	JUMPER	0.6φ7.50MM	J320	1
533	M-WR-0828-0450	2428106075	JUMPER	0.6φ7.50MM	J321	1
534	M-WR-0828-0450	2428106075	JUMPER	0.6φ7.50MM	J322	1
535	M-WR-0828-0478	2428106100	JUMPER	0.6φ10.00MM	J323	1
536	M-WR-0828-0450	2428106075	JUMPER	0.6φ7.50MM	J324	1
537	M-WR-0828-0460	2428106125	JUMPER	0.6φ12.50MM	J801	1
538	M-WR-0828-0478	2428106100	JUMPER	0.6φ10.00MM	J802	1
539	M-WR-0828-0478	2428106100	JUMPER	0.6φ10.00MM	J803	1
540	M-WR-0828-0478	2428106100	JUMPER	0.6φ10.00MM	J804	1
541	M-WR-0828-0478	2428106100	JUMPER	0.6φ10.00MM	J805	1
542	M-WR-0828-0450	2428106075	JUMPER	0.6φ7.50MM	J806	1
543	M-WR-0828-0450	2428106075	JUMPER	0.6φ7.50MM	J807	1
544	M-WR-0828-0450	2428106075	JUMPER	0.6φ7.50MM	J808	1
545	M-WR-0828-0450	2428106075	JUMPER	0.6φ7.50MM	J809	1
546	M-WR-0828-0450	2428106075	JUMPER	0.6φ7.50MM	J810	1
547	M-WR-0828-0450	2428106075	JUMPER	0.6φ7.50MM	J811	1
548	M-WR-0828-0450	2428106075	JUMPER	0.6φ7.50MM	J812	1
549	M-WR-0828-0450	2428106075	JUMPER	0.6φ7.50MM	J813	1
550	M-WR-0828-0450	2428106075	JUMPER	0.6φ7.50MM	J814	1
551	M-WR-0828-0450	2428106075	JUMPER	0.6φ7.50MM	J815	1
552	M-WR-0828-0450	2428106075	JUMPER	0.6φ7.50MM	J816	1
553	M-WR-0828-0460	2428106125	JUMPER	0.6φ12.50MM	J817	1
554	M-WR-0828-0450	2428106075	JUMPER	0.6φ7.50MM	J818	1
555	M-WR-0828-0450	2428106075	JUMPER	0.6φ7.50MM	J819	1
556	M-WR-0828-0478	2428106100	JUMPER	0.6φ10.00MM	J820	1
557	M-WR-0828-0450	2428106075	JUMPER	0.6φ7.50MM	J821	1
558	M-WR-0828-0478	2428106100	JUMPER	0.6φ10.00MM	J822	1
559	M-WR-0828-0460	2428106125	JUMPER	0.6φ12.50MM	J823	1
560	M-WR-0828-0450	2428106075	JUMPER	0.6φ7.50MM	J824	1
561	M-WR-0828-0478	2428106100	JUMPER	0.6φ10.00MM	J825	1
562	M-MS-0808-0856	2428106200	JUMPER	0.6φ20.00MM	J826	1
563	M-WR-0828-0478	2428106100	JUMPER	0.6φ10.00MM	J827	1
564	M-WR-0828-0450	2428106075	JUMPER	0.6φ7.50MM	J828	1
565	M-WR-0828-0478	2428106100	JUMPER	0.6φ10.00MM	J829	1
566	M-WR-0828-0450	2428106075	JUMPER	0.6φ7.50MM	J830	1
567	M-WR-0828-0450	2428106075	JUMPER	0.6φ7.50MM	J831	1
568	M-WR-0828-0450	2428106075	JUMPER	0.6φ7.50MM	J832	1
569	M-WR-0828-0450	2428106075	JUMPER	0.6φ7.50MM	J833	1
570	M-MS-0808-7939	2428106175	JUMPER	0.6φ17.50MM	J834	1
571	M-WR-0828-0450	2428106075	JUMPER	0.6φ7.50MM	J835	1
572	M-WR-0828-0450	2428106075	JUMPER	0.6φ7.50MM	J836	1
573	M-WR-0828-0450	2428106075	JUMPER	0.6φ7.50MM	J837	1
574	M-WR-0828-0450	2428106075	JUMPER	0.6φ7.50MM	J838	1
575	M-WR-0828-0450	2428106075	JUMPER	0.6φ7.50MM	J840	1
576	M-WR-0828-0450	2428106075	JUMPER	0.6φ7.50MM	J841	1
577	M-WR-0828-0450	2428106075	JUMPER	0.6φ7.50MM	J842	1
578	M-MS-0808-7939	2428106175	JUMPER	0.6φ17.50MM	J843	1
579	M-WR-0828-0450	2428106075	JUMPER	0.6φ7.50MM	J844	1
580	M-WR-0828-0478	2428106100	JUMPER	0.6φ10.00MM	J845	1
581	M-WR-0828-0450	2428106075	JUMPER	0.6φ7.50MM	J847	1
582	M-WR-0828-0478	2428106100	JUMPER	0.6φ10.00MM	J850	1
583	M-WR-0828-0450	2428106075	JUMPER	0.6φ7.50MM	J851	1
584	E-L-0407-0013	2379101495	FERRITE CORE	3.5X9X0.8	L301	1
585	M-WR-0828-0478	2428106100	JUMPER	0.6φ10.00MM	L802	1



Item	ViewSonic P/N	Ref. P/N	Description	Location	Q'ty	
586	M-WR-0828-0455	2428106050	JUMPER	0.6φ5.00MM	L807	1
587		2232410495	RES,CBN 1/4	RD 1/4W 100.00K J T52	R804	1
588		2232410495	RES,CBN 1/4	RD 1/4W 100.00K J T52	R805	1
589		2232612295	RES,CBN 1/2	RD 1/2W 1.2Kohm J T	R822	1
590		2242330595	HIGH VOLTAGE RESISTOR	RD 1/2W 3.00M J	R867	1
592	E-C-0404-4834	2300922401	CAP,MTL MINI	0.220UF 275V M	C801	1
593		2287233212	CAP,CER	CK45F 3300.000PF 250VA M KC	C802	1
594		2287233212	CAP,CER	CK45F 3300.000PF 250VA M KC	C803	1
595		2300910401	CAP,MTL MINI	X2 0.1u/275V P=10.0 M C	C804	1
596	E-C-0404-3094	2284122191	CAP,CER	CK45B 220.000PF 125°C K T	C805	1
597		2284110291	CAP,CER	CK45B 1000.000PF 125°C K T	C806	1
598		2334382608	CAP,ELE 105°C	EC 82u/400V 18*32 P=7.5 S	C812	1
599	E-C-0404-1855	2287247201	CAP,CER	CK45F 4700.000PF 250VAC M CA	C823	1
600	E-C-0404-4834	2300922401	CAP,MTL MINI	0.220UF 275V M	C824	1
601	E-C-0404-1836	2333410791	CAP,ELE 105°C	EC 100u/25V 6.3*11 P=5.0 T	C832	1
602		2275439001	CAP,CER	TC 39p/3KV SL P=7.5 J C	C860	1
603		2275450901	CAP,CER	TC 5P/3KV SL P=7.5 J C	C862	1
604		2275439001	CAP,CER	TC 39p/3KV SL P=7.5 J C	C876	1
605		2363300282	DIODE,SCHOTTKY	31DQ06FC3 H=9.8 INTER	D804	1
606	E-D-0403-1501	2363231612	DIODE,RECT	31DF2 IR(NI)	D805	1
607	E-D-0403-1501	2363231612	DIODE,RECT	31DF2 IR(NI)	D806	1
608		2365424700	IC,DIGITAL	NT68F633U S-DIP 42P NOVATEK	I301	1
609	E-IC-0401-2015	2365316200	IC,LINEAR	24LC16B DIP-8 MICROCHI	I302 RA	1
610	E-IC-0401-2748	2365424000	IC,DIGITAL	AM24LC16(PDIP-8L) ATC	I302 RB	1
611	E-IC-0401-2747	2365424300	IC,DIGITAL	M24C16-WBN6T ST PDIP8	I302 RC	1
612		2365327800	IC,LINEAR	TEA1533AP SOT97-1 PHILIPS	I801	1
613	E-PC-0411-0083	2362401800	PHOTO COUPLR	TLP621(D4-GR-LF2) TOSHIBA	I802	1
614		2371106400	COIL,CHOKE	LS-SH01C-016 33uH+-10% LI SHIN	L801	1
615		2371150901	COIL,CHOKE	5uH 0.5mm*19Ts R3*15 I=2.0A	L804	1
616		2371118301	COIL,CHOKE	18mH 0.32mm*90TS UU-10.5	L805	1
617		2427422131	WIRE HARNESS	22/10+11P 1007#26 60/130 P=2.0	P301	1
618		2404371007	CONNECTOR	JST PH 8P TOP P=2.0 OR EQUAL	P303	1
619		2404339301	CONNECTOR	LEOCO 3951-01(V) 2PIN P=3.96	P801	1
620	E-TH-0416-0042	2229201212	THERMISTOR,PTH	SCK-103 10+-20% 3A THINKING	R840	1
621		2226510200	RES,SEMI FIX	0.3W B 1K K	R843	1
622		2241227803	RES,WIR 2	RW 2W 0.27 ohm J P=20	R859	1
623		2374228001	XFORMER,POWR	JT166K17 650uH ER-28	T801	1
624		2374300200	XFORMER INVERTER	EEL-19 20/2600Ts 0.45/0.05mm	T802	1
625	E-X-0415-0119	2369103601	XTAL,OSC	12.000MHZ/49US	X301	1
626		2056603050	SERIAL LABEL	VIEWSONIC LCD SERIAL LABEL	6P55	1
628		2365329800	IC,LINEAR	PHX7NQ60E SOT186A PHILIPS	Q808 RA	1
629		2361609900	FET,N-CH	SSS7N60B TO-220 FAIRCHILD	Q808 RB	1
630		2072259201	HEAT SINK	JT166H 39.6WX12.2DX20H	9H01	1
631		2063252000	SPACER SUPPORT	NYLON 66 94V2 15.87*06.6*42.5	9R10	2
632	M-SCW-0824-0285	2084730082	SCREW,BND T+	M3X8(BND T+)	9S01	1
633		2083730102	SCREW,BND T+	SCREW BND T+	9S10	1
636	C-FP-0301-0842	2024262103	FRONT BEZEL	VE155B/ABS+PC MIDNIGHT GRAY	1F01	1
637	M-MS-0808-8180	2053751901	LED INDIC.-PWR	VE150-2/PMMA 94HB	1F02	1
638		2044260904	FUNCTION KEY	ABS 94V0 MIDNIGHT GRAY	1F03	1
639	M-SCW-0824-0285	2084730082	SCREW,BND T+	M3X8(BND T+)	1F04	2
640		2056603050	SERIAL LABEL	VIEWSONIC LCD SERIAL LABEL	6P54	1
642		2434325603	SHIELDING TAPE	W25*L60*T0.06 (AL)	K901	1
643		2434325603	SHIELDING TAPE	W25*L60*T0.06 (AL)	K902	1
644		2434640004	CONDUCTIVE TAPE	W40*L50mm LQ-220 <0.04 ohm	K903	1
645		2434640004	CONDUCTIVE TAPE	W40*L50mm LQ-220 <0.04 ohm	K904	1
646		2433303040	SHIELDING FOAM	10W*4H*40L (773GT) SR<0.06	K905	1
647		2433303040	SHIELDING FOAM	10W*4H*40L (773GT) SR<0.06	K906	1
648		2434420801	AL SHIELDING TAPE	W40*L80mm (AL)	K907	1
649		2420303002	FFC CABLE	FFC 30L*50P*0.5mm	P980	1
650		2420303002	FFC CABLE	FFC 30L*50P*0.5mm	P981	1
651		2212002400	LCD PANEL	CLAA150XG-02 CPT	V901	1
652		2080002200	SCREW,SPE	L355 M3x6 DH NICKEL-PLATED	1F09	8
653		2071967600	METAL FITTG	VE155/CPT MRT17 SECC T=0.8	1F10	1
654		2072456300	INSULATOR	VE155-17 212*190*30MM 0.4T	1F17	1
655		2105251200	SPRING PLATE	EMI SPRING PB-CU 0.2MM	1F18	1
656		2071966203	METAL FITTG	VE155(17)/SECC T=0.8mm	1F21	1
657		2081430082	SCREW,(WASH)	M3X8 P=0.5(TOOTH,WASHER)	1F22	2
658		2080002300	SCREW,SPE	L355 M3*8 DH NICKEL-PLATED	1F23	2
659	M-SCW-0824-0493	2085740082	SCREW,B OTW+	SCREW B OTW+ M4X8	1F24	1
660	PL-HD-0705-0116	2074191000	HOLDER	JK1461 JEAN	1F28	1
661		2063451102	ADHESI SHEET	27.2x42.4 PVC COLOR:BLACK	1F31	1
663		2407000100	SOCKET,ASSY	AC INLET ASS'Y 1015#18 L=130	P802	1
664	A-VIO-0118-0030	2427501151	I/O CABLE	D15/C13 20276(3+6) 1.83M BLK	P961	1
665	M-MS-0808-4026	2051350200	NAME PLATE	JD144V3 VIEWSONIC 3BIRDS AL	1F05	1
666	M-SCW-0824-0285	2084730082	SCREW,BND T+	M3X8(BND T+)	1F11	8
667	M-SCW-0824-0285	2084730082	SCREW,BND T+	M3X8(BND T+)	1F20	1
668	M-SCW-0824-0261	2084730142	SCREW,BND T+	M3X14(BND T+)	1F25	1
669		2074162000	HOLDER	GINLIAN 3M152-001	1F26	2
670	M-SCW-0824-0123	2084740102	SCREW,BND T+	M4X10(BND T+)	1F29	2
671	M-SCW-0824-0437	2082730062	SCREW,BND+	M3X6(BND+)	1F30	2
672		2080002500	SCREW,SPE	VE155/PDS-3 φ5.2X3X8	1F40	1
673	M-SCW-0824-0493	2085740082	SCREW,B OTW+	SCREW B OTW+ M4X8	2C21	4

Item	ViewSonic P/N	Ref. P/N	Description		Location	Q'ty
676	C-BC-0302-0387	2022258805	CABI BACK	PC+ABS 94V0 MIDNIGHT GRAY	2C01	1
677		2084740104	SCREW,BND T+	M4X10(BND T+) (BLK)	2C02	3
678	M-MS-0808-6316	2071958300	METAL FITTG	VE170 KENSINGTON	2C10	1
679		2027255102	DUST COVER	ABS 94HB MIDNIGHT GRAY	2C24	1
680		2055636010	LABEL	VE155B VLCDS23585-3W	6P05	1
681		2055131729	LABEL	VE155B VLCDS23585-3W VER.17	6P50	1
683		2106652901	HINGE	VE155 0'~90'	2C20 RA	1
684		2106652902	HINGE	VE155/0'~90'	2C20 RB	1
		2028254602	STAND	ABS 94HB MIDNIGHT GRAY	5B01	1
		2039802303	FOOT PAD	VA520 CR420xø16.5x5.8 BLACK	5B02	4
		2084740082	SCREW,BND T+	M4X8(BND T+)	5B03	4
		2027255002	DUST COVER	ABS 94HB MIDNIGHT GRAY	5B04	1
		2071960702	METAL FITTG	VE155 STAND SECC t=2mm	5B06	1
		2084730082	SCREW,BND T+	M3X8(BND T+)	5B07	1
		2087340126	SCREW,B SPW+	4X12(+)/SWRM-3 ZMC2-C	5B08	4
		2080002400	SCREW,SPE	VE155/3x8 STAND	5B09	1
		2055613293	LABEL	VIEWSONIC OPEN STAND LABEL-LCD	5B10	1
		2084740082	SCREW,BND T+	M4X8(BND T+)	5B11	1
		2084730084	SCREW,BND T+	M3X8(BND T+) (BLK)	2C25	1
		2427130046	POWER CORD	USA WALL 1.8M BLACK	P951	1
		2427130047	POWER CORD	E WALL 1.8M BLACK	P952	1
		2438501128	CD-OWNER GUIDE	VE155B WIZARD DATE:	6P80	1
		2002310356	GUARANT CARD	VIEWSONIC VE155B QSG VER.17	6P81	1
		2013222536	POLYETHY BAG	250mmx350mmx0.3 ADD>PE-LD<	6P85	1
		2011168013	CARTON BOX	VE155B VLCDS23585-2W VER-17	6P01	1
		2055632015	LABEL	VE155B VLCDS23585-3W	6P02	1
		2011168009	CARTON BOX	VE155/VA520 PALLET BOX	6P10	1
		2055613379	LABEL	ViewSonic CONTAINER LABEL	6P11	1/42
		2012163600	POLYFOAM	VE150-2 POLYFOAM(L) EPS	6P20	1
		2012163700	POLYFOAM	VE150-2 POLYFOAM(R) EPS	6P21	1
		2056603050	SERIAL LABEL	VIEWSONIC LCD SERIAL LABEL	6P51	1
		2055103400	LABEL	JK0936F WEN	6P52	1
		2013150901	POLYETHY BAG	700LX600WX0.03tmm PE-LD ADD>PE	6P60	1
		2027250101	DUST COVER	PE	6P90	1

#### INDIVIDUAL PARTS OF VSCN-G (China)

Item	ViewSonic P/N	Ref. P/N	Description		Location	Q'ty
1	A-PC-0106-0277	2427130097	POWER CORD	CHINA WALL 1.83M BLACK	P951	1
2		2055613324	LABEL	VIEWSONIC LCD-15 3C STICKER	6P06	1
3		2002310338	GUARANT CARD	VIEWSONIC CHINA WARRANTY CARD	6P07	1
4		2056606025	SERIAL LABEL	VS ON WARRANTY CARD SN STICKER	6P08	2
5		2056606010	SERIAL LABEL	VIEWSONIC BOX STICKER-G	6P12	1
6		2056606009	SERIAL LABEL	VIEWSONIC SERVICE STICKER-G	6P15	1
7		2013051800	POLYETHY BAG	JT166A14 500LX470WX490H t=0.08	6P70	1

**VA520-2**

Item	ViewSonic P/N	Ref. P/N	Description	Location	Q'ty	
1		2340747008	CAP,ARRAY P=0.8 85°C	1206Y5V 47.000PF 16V M 8P	CP01	1
2		2340747008	CAP,ARRAY P=0.8 85°C	1206Y5V 47.000PF 16V M 8P	CP02	1
3		2340747008	CAP,ARRAY P=0.8 85°C	1206Y5V 47.000PF 16V M 8P	CP03	1
4		2340747008	CAP,ARRAY P=0.8 85°C	1206Y5V 47.000PF 16V M 8P	CP04	1
5		2340747008	CAP,ARRAY P=0.8 85°C	1206Y5V 47.000PF 16V M 8P	CP05	1
6		2340747008	CAP,ARRAY P=0.8 85°C	1206Y5V 47.000PF 16V M 8P	CP06	1
7		2340747008	CAP,ARRAY P=0.8 85°C	1206Y5V 47.000PF 16V M 8P	CP07	1
8		2340747008	CAP,ARRAY P=0.8 85°C	1206Y5V 47.000PF 16V M 8P	CP08	1
9		2340747008	CAP,ARRAY P=0.8 85°C	1206Y5V 47.000PF 16V M 8P	CP09	1
10		2340747008	CAP,ARRAY P=0.8 85°C	1206Y5V 47.000PF 16V M 8P	CP10	1
11		2340747008	CAP,ARRAY P=0.8 85°C	1206Y5V 47.000PF 16V M 8P	CP11	1
12		2340747008	CAP,ARRAY P=0.8 85°C	1206Y5V 47.000PF 16V M 8P	CP12	1
13	E-C-0404-3815	2346410496	CAP,CHIP 85°C	CS 0603/Y5V/50V 0.1u Z T	C101	1
14	E-C-0404-3815	2346410496	CAP,CHIP 85°C	CS 0603/Y5V/50V 0.1u Z T	C102	1
15	E-C-0404-3815	2346410496	CAP,CHIP 85°C	CS 0603/Y5V/50V 0.1u Z T	C103	1
16	E-C-0404-3900	2341133096	CAP,CHIP 125°C	CS 0603/COG/50V 33p J T	C104	1
17		2341105096	CAP,CHIP 125°C	1608COG 5.000PF 50V J T	C105	1
18		2341105096	CAP,CHIP 125°C	1608COG 5.000PF 50V J T	C106	1
19		2341105096	CAP,CHIP 125°C	1608COG 5.000PF 50V J T	C107	1
20	E-C-0404-3900	2341133096	CAP,CHIP 125°C	CS 0603/COG/50V 33p J T	C108	1
21	E-C-0404-3815	2346410496	CAP,CHIP 85°C	CS 0603/Y5V/50V 0.1u Z T	C109	1
22		2341115196	CAP,CHIP 125°C	CS 0603/COG/50V 150p J T	C110	1
23	E-C-0404-3900	2341133096	CAP,CHIP 125°C	CS 0603/COG/50V 33p J T	C111	1
24	E-C-0404-3815	2346410496	CAP,CHIP 85°C	CS 0603/Y5V/50V 0.1u Z T	C113	1
25	E-C-0404-3815	2346410496	CAP,CHIP 85°C	CS 0603/Y5V/50V 0.1u Z T	C120	1
26	E-C-0404-3815	2346410496	CAP,CHIP 85°C	CS 0603/Y5V/50V 0.1u Z T	C122	1
27	E-C-0404-3815	2346410496	CAP,CHIP 85°C	CS 0603/Y5V/50V 0.1u Z T	C123	1
28	E-C-0404-3815	2346410496	CAP,CHIP 85°C	CS 0603/Y5V/50V 0.1u Z T	C124	1
29	E-C-0404-3815	2346410496	CAP,CHIP 85°C	CS 0603/Y5V/50V 0.1u Z T	C125	1
30	E-C-0404-3815	2346410496	CAP,CHIP 85°C	CS 0603/Y5V/50V 0.1u Z T	C127	1
31	E-C-0404-3815	2346410496	CAP,CHIP 85°C	CS 0603/Y5V/50V 0.1u Z T	C128	1
32	E-C-0404-3815	2346410496	CAP,CHIP 85°C	CS 0603/Y5V/50V 0.1u Z T	C130	1
33	E-C-0404-4224	2341147096	CAP,CHIP 125°C	CS 0603/COG/50V 47p J T	C133	1
34		2341115196	CAP,CHIP 125°C	CS 0603/COG/50V 150p J T	C135	1
35		2346122396	CAP,CHIP 125°C	CS 0603/X7R/50V 0.022u K T	C136	1
36	E-C-0404-4424	2346110396	CAP,CHIP 125°C	CS 0603/X7R/50V 0.01u K T	C137	1
37		2346147296	CAP,CHIP 125°C	CS 0603/X7R/50V 4700p K T	C138	1
38		2346147296	CAP,CHIP 125°C	CS 0603/X7R/50V 4700p K T	C141	1
39	E-C-0404-4424	2346110396	CAP,CHIP 125°C	CS 0603/X7R/50V 0.01u K T	C142	1
40		2346147296	CAP,CHIP 125°C	CS 0603/X7R/50V 4700p K T	C143	1
41	E-C-0404-3815	2346410496	CAP,CHIP 85°C	CS 0603/Y5V/50V 0.1u Z T	C144	1
42	E-C-0404-3815	2346410496	CAP,CHIP 85°C	CS 0603/Y5V/50V 0.1u Z T	C145	1
43	E-C-0404-3815	2346410496	CAP,CHIP 85°C	CS 0603/Y5V/50V 0.1u Z T	C146	1
44	E-C-0404-4423	2341122096	CAP,CHIP 125°C	CS 0603/COG/50V 22p J T	C147	1
45	E-C-0404-4423	2341122096	CAP,CHIP 125°C	CS 0603/COG/50V 22p J T	C148	1
46	E-C-0404-3815	2346410496	CAP,CHIP 85°C	CS 0603/Y5V/50V 0.1u Z T	C149	1
47	E-C-0404-3815	2346410496	CAP,CHIP 85°C	CS 0603/Y5V/50V 0.1u Z T	C150	1
48	E-C-0404-3815	2346410496	CAP,CHIP 85°C	CS 0603/Y5V/50V 0.1u Z T	C155	1
49	E-C-0404-3815	2346410496	CAP,CHIP 85°C	CS 0603/Y5V/50V 0.1u Z T	C156	1
50	E-C-0404-3815	2346410496	CAP,CHIP 85°C	CS 0603/Y5V/50V 0.1u Z T	C157	1
51	E-C-0404-3815	2346410496	CAP,CHIP 85°C	CS 0603/Y5V/50V 0.1u Z T	C163	1
52	E-C-0404-4423	2341122096	CAP,CHIP 125°C	CS 0603/COG/50V 22p J T	C164	1
53	E-C-0404-4423	2341122096	CAP,CHIP 125°C	CS 0603/COG/50V 22p J T	C165	1
54	E-C-0404-3815	2346410496	CAP,CHIP 85°C	CS 0603/Y5V/50V 0.1u Z T	C170	1
55	E-C-0404-3815	2346410496	CAP,CHIP 85°C	CS 0603/Y5V/50V 0.1u Z T	C171	1
56	E-C-0404-3815	2346410496	CAP,CHIP 85°C	CS 0603/Y5V/50V 0.1u Z T	C173	1
57	E-C-0404-3815	2346410496	CAP,CHIP 85°C	CS 0603/Y5V/50V 0.1u Z T	C174	1
58	E-C-0404-3815	2346410496	CAP,CHIP 85°C	CS 0603/Y5V/50V 0.1u Z T	C175	1
59	E-C-0404-3815	2346410496	CAP,CHIP 85°C	CS 0603/Y5V/50V 0.1u Z T	C220	1
60	E-C-0404-3815	2346410496	CAP,CHIP 85°C	CS 0603/Y5V/50V 0.1u Z T	C283	1
61	E-C-0404-3815	2346410496	CAP,CHIP 85°C	CS 0603/Y5V/50V 0.1u Z T	C284	1
62	E-C-0404-3815	2346410496	CAP,CHIP 85°C	CS 0603/Y5V/50V 0.1u Z T	C285	1
63	E-C-0404-3815	2346410496	CAP,CHIP 85°C	CS 0603/Y5V/50V 0.1u Z T	C286	1
64	E-C-0404-3815	2346410496	CAP,CHIP 85°C	CS 0603/Y5V/50V 0.1u Z T	C287	1
65	E-D-0403-1667	2364600196	DIODE,SWITCH SMD	LL4148 3.5X1.5φ TEMIC GS08	D103 RA	1
66	E-D-0403-2041	2364600396	DIODE,SWITCH SMD	LL4148 DIODES MINIMELF	D103 RB	1
67	E-D-0403-1667	2364600196	DIODE,SWITCH SMD	LL4148 3.5X1.5φ TEMIC GS08	D104 RA	1
68	E-D-0403-2041	2364600396	DIODE,SWITCH SMD	LL4148 DIODES MINIMELF	D104 RB	1

Item	ViewSonic P/N	Ref. P/N	Description	Location	Q'ty
69	E-D-0403-1667	2364600196	DIODE,SWITCH SMD	LL4148 3.5X1.5φ TEMIC GS08	D105 RA 1
70	E-D-0403-2041	2364600396	DIODE,SWITCH SMD	LL4148 DIODES MINIMELF	D105 RB 1
71		2364503386	DIODE,ZENER SMD	BZV55-C3V3 3.23V~3.7V PHILIPS	D106 RA 1
72		2364503396	DIODE,ZENER SMD	RLZ3.3B 3.32~3.53V 0.5W ROHM	D106 RB 1
73		2364503386	DIODE,ZENER SMD	BZV55-C3V3 3.23V~3.7V PHILIPS	D107 RA 1
74		2364503396	DIODE,ZENER SMD	RLZ3.3B 3.32~3.53V 0.5W ROHM	D107 RB 1
75	E-D-0403-1667	2364600196	DIODE,SWITCH SMD	LL4148 3.5X1.5φ TEMIC GS08	D108 RA 1
76	E-D-0403-2041	2364600396	DIODE,SWITCH SMD	LL4148 DIODES MINIMELF	D108 RB 1
77	E-D-0403-1667	2364600196	DIODE,SWITCH SMD	LL4148 3.5X1.5φ TEMIC GS08	D109 RA 1
78	E-D-0403-2041	2364600396	DIODE,SWITCH SMD	LL4148 DIODES MINIMELF	D109 RB 1
79	E-D-0403-1667	2364600196	DIODE,SWITCH SMD	LL4148 3.5X1.5φ TEMIC GS08	D110 RA 1
80	E-D-0403-2041	2364600396	DIODE,SWITCH SMD	LL4148 DIODES MINIMELF	D110 RB 1
81		2253400096	RES,CHIP 1/4	RC 1206 1/4 W 0ohm J T	D111 1
82		2364503386	DIODE,ZENER SMD	BZV55-C3V3 3.23V~3.7V PHILIPS	D113 RA 1
83		2364503396	DIODE,ZENER SMD	RLZ3.3B 3.32~3.53V 0.5W ROHM	D113 RB 1
84	E-D-0403-1779	2364503996	DIODE,ZENER SMD	BZV55-C5V6 PHILIPS	D114 1
85	E-D-0403-1779	2364503996	DIODE,ZENER SMD	BZV55-C5V6 PHILIPS	D115 1
86		2365808196	IC,LINEAR(SMD)	AP1117E-3.3V SOT-223 ATC	I103 RA 1
87		2365801496	IC,LINEAR(SMD)	RC1117ST-3.3 SOT223 FAIRCHILD	I103 RB 1
88		2365800796	IC,LINEAR(SMD)	LD1117DT33 TO-252 SGS	I103 RC 1
89		2365808396	IC,LINEAR(SMD)	AIC1117-33CY AIC SOT-223	I103 RD 1
90		2365808196	IC,LINEAR(SMD)	AP1117E-3.3V SOT-223 ATC	I104 RA 1
91		2365801496	IC,LINEAR(SMD)	RC1117ST-3.3 SOT223 FAIRCHILD	I104 RB 1
92		2365808396	IC,LINEAR(SMD)	AIC1117-33CY AIC SOT-223	I104 RC 1
93		2365808196	IC,LINEAR(SMD)	AP1117E-3.3V SOT-223 ATC	I106 RA 1
94		2365801496	IC,LINEAR(SMD)	RC1117ST-3.3 SOT223 FAIRCHILD	I106 RB 1
95		2365808396	IC,LINEAR(SMD)	AIC1117-33CY AIC SOT-223	I106 RC 1
96		2365811196	IC,LINEAR(SMD)	AP1117E25A(2.5V) SOT223 ATC	I113 RA 1
97		2365808596	IC,LINEAR(SMD)	CM1117KCM-2.5V SOT223 CHAMPION	I113 RB 1
98	E-R-0405-7001	2253233096	RES,CHIP 1/10W	RC 0603 1/10W 33 ohm J T	L101 1
99	E-R-0405-7001	2253233096	RES,CHIP 1/10W	RC 0603 1/10W 33 ohm J T	L102 1
100	E-R-0405-7001	2253233096	RES,CHIP 1/10W	RC 0603 1/10W 33 ohm J T	L103 1
101	E-L-0407-1535	2379820196	BEAD,HI-IMPEDANCE	Z= 200ohm(100MHZ~) 0805 200mA	L104 1
102	E-L-0407-1535	2379820196	BEAD,HI-IMPEDANCE	Z= 200ohm(100MHZ~) 0805 200mA	L105 1
103	E-L-0407-1535	2379820196	BEAD,HI-IMPEDANCE	Z= 200ohm(100MHZ~) 0805 200mA	L106 1
104	E-L-0407-1535	2379820196	BEAD,HI-IMPEDANCE	Z= 200ohm(100MHZ~) 0805 200mA	L108 1
105	E-L-0407-1535	2379820196	BEAD,HI-IMPEDANCE	Z= 200ohm(100MHZ~) 0805 200mA	L109 1
106	E-L-0407-1535	2379820196	BEAD,HI-IMPEDANCE	Z= 200ohm(100MHZ~) 0805 200mA	L110 1
107	E-L-0407-1535	2379820196	BEAD,HI-IMPEDANCE	Z= 200ohm(100MHZ~) 0805 200mA	L111 1
108		2379520196	BEAT,L-CURRENT	Z= 200ohm 0805 I>2.0A	L112 1
109	E-L-0407-1535	2379820196	BEAD,HI-IMPEDANCE	Z= 200ohm(100MHZ~) 0805 200mA	L113 1
110	E-L-0407-1535	2379820196	BEAD,HI-IMPEDANCE	Z= 200ohm(100MHZ~) 0805 200mA	L114 1
111	E-L-0407-1535	2379820196	BEAD,HI-IMPEDANCE	Z= 200ohm(100MHZ~) 0805 200mA	L115 1
112	E-L-0407-1535	2379820196	BEAD,HI-IMPEDANCE	Z= 200ohm(100MHZ~) 0805 200mA	L116 1
113		2407630250	SOCKET,SMD	6240-50-OR5P 0.5*50P KYOCERA	P105 RA 1
114		2407630350	SOCKET,SMD	2206BL11250RLP 0.5*50P FRANCON	P105 RB 1
115		2407630250	SOCKET,SMD	6240-50-OR5P 0.5*50P KYOCERA	P106 RA 1
116		2407630350	SOCKET,SMD	2206BL11250RLP 0.5*50P FRANCON	P106 RB 1
117	E-R-0405-6422	2259247008	RES,CHIP NETWORKS	8P4R 1/16W 47ohm J P=0.8	RP02 1
118	E-R-0405-6422	2259247008	RES,CHIP NETWORKS	8P4R 1/16W 47ohm J P=0.8	RP03 1
119	E-R-0405-6422	2259247008	RES,CHIP NETWORKS	8P4R 1/16W 47ohm J P=0.8	RP04 1
120	E-R-0405-6422	2259247008	RES,CHIP NETWORKS	8P4R 1/16W 47ohm J P=0.8	RP05 1
121	E-R-0405-6422	2259247008	RES,CHIP NETWORKS	8P4R 1/16W 47ohm J P=0.8	RP06 1
122	E-R-0405-6422	2259247008	RES,CHIP NETWORKS	8P4R 1/16W 47ohm J P=0.8	RP07 1
123	E-R-0405-6422	2259247008	RES,CHIP NETWORKS	8P4R 1/16W 47ohm J P=0.8	RP08 1
124	E-R-0405-6422	2259247008	RES,CHIP NETWORKS	8P4R 1/16W 47ohm J P=0.8	RP09 1
125	E-R-0405-6422	2259247008	RES,CHIP NETWORKS	8P4R 1/16W 47ohm J P=0.8	RP10 1
126	E-R-0405-6422	2259247008	RES,CHIP NETWORKS	8P4R 1/16W 47ohm J P=0.8	RP11 1
127	E-R-0405-6422	2259247008	RES,CHIP NETWORKS	8P4R 1/16W 47ohm J P=0.8	RP12 1
128	E-R-0405-6422	2259247008	RES,CHIP NETWORKS	8P4R 1/16W 47ohm J P=0.8	RP13 1
129		2379380006	BEAD,HI-IMPEDANCE	Z= 80ohm(200MHZ~) 0603 200mA	R078 1
130		2251275096	RES,CHIP 1/10	RC 0603 1/10W 75 ohm F T	R100 1
131		2251275096	RES,CHIP 1/10	RC 0603 1/10W 75 ohm F T	R101 1
132		2251275096	RES,CHIP 1/10	RC 0603 1/10W 75 ohm F T	R102 1
133	E-R-0405-6409	2253210196	RES,CHIP 1/10W	RC 0603 1/10W 100 ohm J T	R103 1
134	E-R-0405-6409	2253210196	RES,CHIP 1/10W	RC 0603 1/10W 100 ohm J T	R104 1
135	E-R-0405-6603	2253222096	RES,CHIP 1/10W	RC 0603 1/10W 22 ohm J T	R105 1
136	E-R-0405-6409	2253210196	RES,CHIP 1/10W	RC 0603 1/10W 100 ohm J T	R107 1
137	E-R-0405-6412	2253220196	RES,CHIP 1/10W	RC 0603 1/10W 200 ohm J T	R110 1
138	E-R-0405-6412	2253220196	RES,CHIP 1/10W	RC 0603 1/10W 200 ohm J T	R111 1
139	E-R-0405-6603	2253222096	RES,CHIP 1/10W	RC 0603 1/10W 22 ohm J T	R113 1
140	E-R-0405-6603	2253222096	RES,CHIP 1/10W	RC 0603 1/10W 22 ohm J T	R115 1
141	E-R-0405-6411	2253210396	RES,CHIP 1/10W	RC 0603 1/10W 10Kohm J T	R116 1
142	E-R-0405-6411	2253210396	RES,CHIP 1/10W	RC 0603 1/10W 10Kohm J T	R117 1
143	E-R-0405-6603	2253222096	RES,CHIP 1/10W	RC 0603 1/10W 22 ohm J T	R122 1
144	E-R-0405-6411	2253210396	RES,CHIP 1/10W	RC 0603 1/10W 10Kohm J T	R124 1

Item	ViewSonic P/N	Ref. P/N	Description	Location	Q'ty	
145	E-R-0405-6409	2253210196	RES,CHIP 1/10W	RC 0603 1/10W 100 ohm J T	R125	1
146	E-R-0405-6409	2253210196	RES,CHIP 1/10W	RC 0603 1/10W 100 ohm J T	R127	1
147	E-R-0405-6409	2253210196	RES,CHIP 1/10W	RC 0603 1/10W 100 ohm J T	R128	1
148		2379380006	BEAD,HI-IMPEDANCE	Z= 80ohm(200MHZ~) 0603 200mA	R131	1
149	E-R-0405-6600	2253200096	RES,CHIP 1/10W	RC 0603 1/10W 0 ohm J T	R132	1
150	E-R-0405-6603	2253222096	RES,CHIP 1/10W	RC 0603 1/10W 22 ohm J T	R133	1
151	E-R-0405-6600	2253200096	RES,CHIP 1/10W	RC 0603 1/10W 0 ohm J T	R134	1
152	E-R-0405-6603	2253222096	RES,CHIP 1/10W	RC 0603 1/10W 22 ohm J T	R135	1
153	E-R-0405-6603	2253222096	RES,CHIP 1/10W	RC 0603 1/10W 22 ohm J T	R139	1
154	E-R-0405-6603	2253222096	RES,CHIP 1/10W	RC 0603 1/10W 22 ohm J T	R141	1
155		2379380006	BEAD,HI-IMPEDANCE	Z= 80ohm(200MHZ~) 0603 200mA	R142	1
156	E-R-0405-6601	2253210596	RES,CHIP 1/10W	RC 0603 1/10W 1Mohm J T	R144	1
157	E-R-0405-6411	2253210396	RES,CHIP 1/10W	RC 0603 1/10W 10Kohm J T	R146	1
158	E-R-0405-6410	2253210296	RES,CHIP 1/10W	RC 0603 1/10W 1Kohm J T	R150	1
159		2379312166	BEAD,HI-IMPEDANCE	Z= 120ohm( 50MHZ~) 0603 200mA	R151	1
160		2251275096	RES,CHIP 1/10	RC 0603 1/10W 75 ohm F T	R152	1
161		2379312166	BEAD,HI-IMPEDANCE	Z= 120ohm( 50MHZ~) 0603 200mA	R153	1
162		2251275096	RES,CHIP 1/10	RC 0603 1/10W 75 ohm F T	R154	1
163		2379312166	BEAD,HI-IMPEDANCE	Z= 120ohm( 50MHZ~) 0603 200mA	R155	1
164		2251275096	RES,CHIP 1/10	RC 0603 1/10W 75 ohm F T	R156	1
165	E-R-0405-6411	2253210396	RES,CHIP 1/10W	RC 0603 1/10W 10Kohm J T	R157	1
166		2253282296	RES,CHIP 1/10W	RC 0603 1/10W 8.2Kohm J T	R158	1
167	E-R-0405-6411	2253210396	RES,CHIP 1/10W	RC 0603 1/10W 10Kohm J T	R228	1
168	E-R-0405-6606	2253233196	RES,CHIP 1/10W	RC 0603 1/10W 330 ohm J T	R229	1
169		2365929196	IC,DIGITAL SMD	MV3 PQFP-160P MRT	U001	1
170		2056603050	SERIAL LABEL	VIEWSONIC LCD SERIAL LABEL	6P56	1
171		2336322613	CAP,MINI ELE 105°C	EC 22u/ 16V 4*7 P=2.5 T	C114	1
172		2336322791	CAP,MINI ELE 105°C	EC 220u/ 16V 8*7 P=5.0 T	C115	1
173		2336322613	CAP,MINI ELE 105°C	EC 22u/ 16V 4*7 P=2.5 T	C116	1
174		2336610613	CAP,MINI ELE 105°C	EC 10u/ 50V 5*7 P=2.5 T	C117	1
175		2336322613	CAP,MINI ELE 105°C	EC 22u/ 16V 4*7 P=2.5 T	C118	1
176		2336310713	CAP,MINI ELE 105°C	EC 100u/ 16V 6.3*7 P=2.5 T	C119	1
177		2336610613	CAP,MINI ELE 105°C	EC 10u/ 50V 5*7 P=2.5 T	C121	1
178		2336610613	CAP,MINI ELE 105°C	EC 10u/ 50V 5*7 P=2.5 T	C214	1
179		2336610613	CAP,MINI ELE 105°C	EC 10u/ 50V 5*7 P=2.5 T	C215	1
180		2336610613	CAP,MINI ELE 105°C	EC 10u/ 50V 5*7 P=2.5 T	C216	1
181		2336610613	CAP,MINI ELE 105°C	EC 10u/ 50V 5*7 P=2.5 T	C217	1
182		2336610613	CAP,MINI ELE 105°C	EC 10u/ 50V 5*7 P=2.5 T	C218	1
183		2336610613	CAP,MINI ELE 105°C	EC 10u/ 50V 5*7 P=2.5 T	C219	1
184		2336310713	CAP,MINI ELE 105°C	EC 100u/ 16V 6.3*7 P=2.5 T	C221	1
185		2336322613	CAP,MINI ELE 105°C	EC 22u/ 16V 4*7 P=2.5 T	C222	1
186		2336610613	CAP,MINI ELE 105°C	EC 10u/ 50V 5*7 P=2.5 T	C223	1
187		2336610613	CAP,MINI ELE 105°C	EC 10u/ 50V 5*7 P=2.5 T	C224	1
188		2336610613	CAP,MINI ELE 105°C	EC 10u/ 50V 5*7 P=2.5 T	C225	1
189		2404338112	CONNECTOR	JST B-PH 13PIN P=2.0 OR EQUAL	P101 RA	1
190		2404371012	CONNECTOR	JST PH 13P TOP P=2.0 OR EQUAL	P101 RB	1
191		2404212022	PIN PLUG	11*2P TOP P=2.0	P102	1
192		2202513200	PCB MULTILAYER	JT166K17 M/B FR4*2 100*80 1.00	U101	1
193	E-X-0415-0119	2369103601	XTAL,OSC	12.000MHZ/49US	X101	1
194		2071666500	SHIELD PLATE	JT166KP17 SPTe t=0.3 MAIN BD	1F13	1
195		2082720062	SCREW,BND+	SCREW BND+ M2X6	1F14	4
196		2081430062	SCREW,(WASH)	M3X6 P=0.5(TOOTH WASHER)	1F15	4
197		2363703891	LED	LED 3φ GRN/YEL	D701	1
198		2403702513	SWITCH,TACT	TSTA-2 4.3mm 160g HUA JIE	S701	1
199		2403702513	SWITCH,TACT	TSTA-2 4.3mm 160g HUA JIE	S702	1
200		2403702513	SWITCH,TACT	TSTA-2 4.3mm 160g HUA JIE	S703	1
201		2403702513	SWITCH,TACT	TSTA-2 4.3mm 160g HUA JIE	S704	1
202		2403702513	SWITCH,TACT	TSTA-2 4.3mm 160g HUA JIE	S705	1
203	M-WR-0828-0450	2428106075	JUMPER	0.6φ7.50MM	J701	1
204	M-WR-0828-0450	2428106075	JUMPER	0.6φ7.50MM	J702	1
205	B-KB-0207-0040	2202120102	PC BOARD	VE155 K/B PAPER 140*15 3.00	U701	1
206		2427408181	WIRE HARNESS	8P H/B 1061#26 L=180mm P=2.0	P701	1
207	E-C-0404-4212	2347410596	CAP,CHIP 85°C	CS 0805/Y5V/50V 1.0u Z T	C301	1
208	E-C-0404-3815	2347410496	CAP,CHIP 85°C	CS 0805/Y5V/50V 0.1u Z T	C302	1
209		2342122096	CAP,CHIP 125°C	CS 0805/COG/50V 22p J T	C305	1
210		2342122096	CAP,CHIP 125°C	CS 0805/COG/50V 22p J T	C306	1
211	E-C-0404-3815	2347410496	CAP,CHIP 85°C	CS 0805/Y5V/50V 0.1u Z T	C307	1
212	E-C-0404-3815	2347410496	CAP,CHIP 85°C	CS 0805/Y5V/50V 0.1u Z T	C308	1
213	E-C-0404-3815	2347410496	CAP,CHIP 85°C	CS 0805/Y5V/50V 0.1u Z T	C309	1
214	E-C-0404-3815	2347410496	CAP,CHIP 85°C	CS 0805/Y5V/50V 0.1u Z T	C310	1
215	E-C-0404-3815	2347410496	CAP,CHIP 85°C	CS 0805/Y5V/50V 0.1u Z T	C311	1
216	E-C-0404-3815	2347410496	CAP,CHIP 85°C	CS 0805/Y5V/50V 0.1u Z T	C312	1
217	E-C-0404-3815	2347410496	CAP,CHIP 85°C	CS 0805/Y5V/50V 0.1u Z T	C317	1
218		2349122396	CAP,CHIP 125°C	CS 1206/X7R/50V 0.022u K T	C826	1
219		2342122096	CAP,CHIP 125°C	CS 0805/COG/50V 22p J T	C836	1
220		2347110396	CAP,CHIP 125°C	CS 0805/X7R/50V 0.01u K T	C837	1

Item	ViewSonic P/N	Ref. P/N	Description	Location	Q'ty
221		2347122396	CAP,CHIP 125'C	CS 0805/X7R/50V 0.022u K T	C838 1
222		2347110496	CAP,CHIP 125'C	CS 0805/X7R/50V 0.1u K T	C849 1
223		2347122396	CAP,CHIP 125'C	CS 0805/X7R/50V 0.022u K T	C852 1
224		2349022596	CAP,CHIP 125'C	CS 1206/X7R/25V 2.2u K T	C859 1
225		2347447396	CAP,CHIP 85'C	CS 0805/Y5V/50V 0.047u Z T	C861 1
226		2342122196	CAP,CHIP 125'C	CS 0805/COG/50V 220p J T	C863 1
227	E-C-0404-4212	2347410596	CAP,CHIP 85'C	CS 0805/Y5V/50V 1.0u Z T	C864 1
228		2347247496	CAP,CHIP 125'C	CS 0805/X7R/25V 0.47u K T	C865 1
229	E-C-0404-4212	2347410596	CAP,CHIP 85'C	CS 0805/Y5V/50V 1.0u Z T	C866 1
230		2347110396	CAP,CHIP 125'C	CS 0805/X7R/50V 0.01u K T	C867 1
231		2347147296	CAP,CHIP 125'C	0805X7R 4700.000PF 50V K T	C868 1
232		2347133296	CAP,CHIP 125'C	0805X7R 3300.000PF 50V K T	C869 1
233		2347110496	CAP,CHIP 125'C	CS 0805/X7R/50V 0.1u K T	C870 1
234		2347110496	CAP,CHIP 125'C	CS 0805/X7R/50V 0.1u K T	C871 1
235		2347447396	CAP,CHIP 85'C	CS 0805/Y5V/50V 0.047u Z T	C872 1
236		2347110396	CAP,CHIP 125'C	CS 0805/X7R/50V 0.01u K T	C873 1
237		2347115296	CAP,CHIP 125'C	CS 0805/X7R/50V 1500p K T	C874 1
238		2347110496	CAP,CHIP 125'C	CS 0805/X7R/50V 0.1u K T	C875 1
239		2349022596	CAP,CHIP 125'C	CS 1206/X7R/25V 2.2u K T	C878 1
240		2347110396	CAP,CHIP 125'C	CS 0805/X7R/50V 0.01u K T	C892 1
241	E-D-0403-2088	2364201496	DIODE,RECT(SMD)	EC10QS04-TE12L NI	D301 1
242	E-D-0403-2088	2364201496	DIODE,RECT(SMD)	EC10QS04-TE12L NI	D303 1
243	E-D-0403-1667	2364600196	DIODE,SWITCH SMD	LL4148 3.5X1.5φ TEMIC GS08	D306 RA 1
244	E-D-0403-2041	2364600396	DIODE,SWITCH SMD	LL4148 DIODES MINIMELF	D306 RB 1
245		2364300896	DIODE,SCHOTTKY(SMD)	EP05Q04-TE8L 0.4A/40V NI	D811 RA 1
246		2364301396	DIODE,SCHOTTKY(SMD)	SS0540 PEC	D811 RB 1
247	E-D-0403-2088	2364201496	DIODE,RECT(SMD)	EC10QS04-TE12L NI	D812 1
248		2364300896	DIODE,SCHOTTKY(SMD)	EP05Q04-TE8L 0.4A/40V NI	D815 RA 1
249		2364301396	DIODE,SCHOTTKY(SMD)	SS0540 PEC	D815 RB 1
250		2364300896	DIODE,SCHOTTKY(SMD)	EP05Q04-TE8L 0.4A/40V NI	D816 RA 1
251		2364301396	DIODE,SCHOTTKY(SMD)	SS0540 PEC	D816 RB 1
252		2364300896	DIODE,SCHOTTKY(SMD)	EP05Q04-TE8L 0.4A/40V NI	D817 RA 1
253		2364301396	DIODE,SCHOTTKY(SMD)	SS0540 PEC	D817 RB 1
254		2364300896	DIODE,SCHOTTKY(SMD)	EP05Q04-TE8L 0.4A/40V NI	D818 RA 1
255		2364301396	DIODE,SCHOTTKY(SMD)	SS0540 PEC	D818 RB 1
256	E-D-0403-1666	2364500396	DIODE,ZENER SMD	RLZ5.6B 5.45-5.73V 0.5W ROHM	D822 1
257	E-D-0403-1666	2364500396	DIODE,ZENER SMD	RLZ5.6B 5.45-5.73V 0.5W ROHM	D823 1
258	E-D-0403-1666	2364500396	DIODE,ZENER SMD	RLZ5.6B 5.45-5.73V 0.5W ROHM	D824 1
259		2364600996	DIODE,SWITCH SMD	BAV99 SOT-23 DIODES	D825 RA 1
260		2364601096	DIODE,SWITCH SMD	BAV99 SOT-23 PHILIPS	D825 RB 1
261		2364600996	DIODE,SWITCH SMD	BAV99 SOT-23 DIODES	D826 RA 1
262		2364601096	DIODE,SWITCH SMD	BAV99 SOT-23 PHILIPS	D826 RB 1
263		2364600996	DIODE,SWITCH SMD	BAV99 SOT-23 DIODES	D827 RA 1
264		2364601096	DIODE,SWITCH SMD	BAV99 SOT-23 PHILIPS	D827 RB 1
265		2364509146	DIODE,ZENER SMD	RLZ9.1B 8.57~9.01V 0.5W ROHM	D828 1
266		2251400096	RES,CHIP 1/4	RC 1/4W 0.00 F	F805 1
267		2365808196	IC,LINEAR(SMD)	AP1117E-3.3V SOT-223 ATC	I303 RA 1
268		2365801496	IC,LINEAR(SMD)	RC1117ST-3.3 SOT223 FAIRCHILD	I303 RB 1
269		2365808396	IC,LINEAR(SMD)	AIC1117-33CY AIC SOT-223	I303 RC 1
270		2365810696	IC,LINEAR(SMD)	OZ960G SOP-20 MICRO	I804 1
271		2365807296	IC,LINEAR(SMD)	AIC1341CS AIC SO16	I807 1
272		2360700196	FET P&N-CH	SI4532ADY SO-8 VISHAY	I810 RA 1
273		2360700496	FET P&N-CH	AP4532M SO-8 APEC	I810 RB 1
274		2360700396	FET P&N-CH	AO4600 SO-8 ALPHA	I810 RC 1
275		2360700196	FET P&N-CH	SI4532ADY SO-8 VISHAY	I811 RA 1
276		2360700496	FET P&N-CH	AP4532M SO-8 APEC	I811 RB 1
277		2360700396	FET P&N-CH	AO4600 SO-8 ALPHA	I811 RC 1
278	E-L-0407-1371	2379832096	BEAD,HI-IMPEDANCE	Z= 32ohm(100MHZ~) 0805 300mA	L302 1
279	E-L-0407-1371	2379832096	BEAD,HI-IMPEDANCE	Z= 32ohm(100MHZ~) 0805 300mA	L303 1
280	E-L-0407-1211	2379620196	BEAD,HI-IMPEDANCE	Z= 200ohm(100MHZ~) 1206 300mA	L806 1
281	E-Q-0402-1608	2360300896	XISTOR,NPN R SMD	MMBT3904 FAIRCHILD SOT23	Q301 RA 1
282	E-Q-0402-1180	2360301296	XISTOR,NPN R SMD	MMBT3904 DIODES SOT-23	Q301 RB 1
283	E-Q-0402-1608	2360300896	XISTOR,NPN R SMD	MMBT3904 FAIRCHILD SOT23	Q302 RA 1
284	E-Q-0402-1180	2360301296	XISTOR,NPN R SMD	MMBT3904 DIODES SOT-23	Q302 RB 1
285	E-Q-0402-1608	2360300896	XISTOR,NPN R SMD	MMBT3904 FAIRCHILD SOT23	Q303 RA 1
286	E-Q-0402-1180	2360301296	XISTOR,NPN R SMD	MMBT3904 DIODES SOT-23	Q303 RB 1
287	E-Q-0402-1608	2360300896	XISTOR,NPN R SMD	MMBT3904 FAIRCHILD SOT23	Q304 RA 1
288	E-Q-0402-1180	2360301296	XISTOR,NPN R SMD	MMBT3904 DIODES SOT-23	Q304 RB 1
289	E-Q-0402-1608	2360300896	XISTOR,NPN R SMD	MMBT3904 FAIRCHILD SOT23	Q306 RA 1
290	E-Q-0402-1180	2360301296	XISTOR,NPN R SMD	MMBT3904 DIODES SOT-23	Q306 RB 1
291	E-Q-0402-1608	2360300896	XISTOR,NPN R SMD	MMBT3904 FAIRCHILD SOT23	Q307 RA 1
292	E-Q-0402-1180	2360301296	XISTOR,NPN R SMD	MMBT3904 DIODES SOT-23	Q307 RB 1
293	E-Q-0402-1608	2360300896	XISTOR,NPN R SMD	MMBT3904 FAIRCHILD SOT23	Q310 RA 1
294	E-Q-0402-1180	2360301296	XISTOR,NPN R SMD	MMBT3904 DIODES SOT-23	Q310 RB 1
295	E-Q-0402-1611	2360608296	FET,N-CH(SMD)	2SK3065 SC-62 ROHM	Q801 1
296	E-Q-0402-1611	2360608296	FET,N-CH(SMD)	2SK3065 SC-62 ROHM	Q802 1

Item	ViewSonic P/N	Ref. P/N	Description	Location	Q'ty	
297	E-Q-0402-1609	2360301096	XISTOR,NPN R SMD	KST2907A FAIRCHILD SOT23	Q804	1
298		2360301696	XISTOR,NPN R SMD	PMBS3904 SOT23 PHILIPS	Q812	1
299		2360301696	XISTOR,NPN R SMD	PMBS3904 SOT23 PHILIPS	Q813	1
300		2360608496	FET,N-CH(SMD)	2N7002K SOT-23 VISHAY	Q814	1
301		2360608496	FET,N-CH(SMD)	2N7002K SOT-23 VISHAY	Q815	1
302		2360100696	XISTOR,PNP R SMD	PMBS3906 SOT23 PHILIPS	Q816	1
303		2253382396	RES,CHIP 1/8	RC 1/8W 82.00K J T2012	R301	1
304	E-R-0405-6001	2253347296	RES,CHIP 1/8	RC 0805 1/8 W 4.7Kohm J T	R302	1
305	E-R-0405-6001	2253347296	RES,CHIP 1/8	RC 0805 1/8 W 4.7Kohm J T	R303	1
306	E-R-0405-6001	2253347296	RES,CHIP 1/8	RC 0805 1/8 W 4.7Kohm J T	R304	1
307	E-R-0405-6001	2253347296	RES,CHIP 1/8	RC 0805 1/8 W 4.7Kohm J T	R305	1
308	E-R-0405-6001	2253347296	RES,CHIP 1/8	RC 0805 1/8 W 4.7Kohm J T	R306	1
309	E-R-0405-6001	2253347296	RES,CHIP 1/8	RC 0805 1/8 W 4.7Kohm J T	R307	1
310		2253310196	RES,CHIP 1/8	RC 0805 1/8 W 100ohm J T	R308	1
311	E-R-0405-6001	2253347296	RES,CHIP 1/8	RC 0805 1/8 W 4.7Kohm J T	R309	1
312		2253310196	RES,CHIP 1/8	RC 0805 1/8 W 100ohm J T	R310	1
313		2253310196	RES,CHIP 1/8	RC 0805 1/8 W 100ohm J T	R311	1
314		2253310196	RES,CHIP 1/8	RC 0805 1/8 W 100ohm J T	R312	1
315	E-R-0405-5991	2253310396	RES,CHIP 1/8	RC 0805 1/8 W 10Kohm J T	R313	1
316		2253310196	RES,CHIP 1/8	RC 0805 1/8 W 100ohm J T	R314	1
317	E-R-0405-5991	2253310396	RES,CHIP 1/8	RC 0805 1/8 W 10Kohm J T	R317	1
318		2253310196	RES,CHIP 1/8	RC 0805 1/8 W 100ohm J T	R319	1
319		2253310196	RES,CHIP 1/8	RC 0805 1/8 W 100ohm J T	R320	1
320	E-R-0405-6001	2253347296	RES,CHIP 1/8	RC 0805 1/8 W 4.7Kohm J T	R321	1
321	E-R-0405-6001	2253347296	RES,CHIP 1/8	RC 0805 1/8 W 4.7Kohm J T	R322	1
322	E-R-0405-6001	2253347296	RES,CHIP 1/8	RC 0805 1/8 W 4.7Kohm J T	R323	1
323	E-R-0405-6001	2253347296	RES,CHIP 1/8	RC 0805 1/8 W 4.7Kohm J T	R324	1
324		2253310196	RES,CHIP 1/8	RC 0805 1/8 W 100ohm J T	R325	1
325		2253310196	RES,CHIP 1/8	RC 0805 1/8 W 100ohm J T	R326	1
326		2253333196	RES,CHIP 1/8	RC 0805 1/8 W 330ohm J T	R327	1
327		2253310196	RES,CHIP 1/8	RC 0805 1/8 W 100ohm J T	R328	1
328		2253310196	RES,CHIP 1/8	RC 0805 1/8 W 100ohm J T	R330	1
329		2253310196	RES,CHIP 1/8	RC 0805 1/8 W 100ohm J T	R331	1
330	E-R-0405-5990	2253310296	RES,CHIP 1/8	RC 0805 1/8 W 1Kohm J T	R332	1
331	E-R-0405-5990	2253310296	RES,CHIP 1/8	RC 0805 1/8 W 1Kohm J T	R334	1
332	E-R-0405-5988	2253300096	RES,CHIP 1/8	RC 0805 1/8 W 0ohm J T	R336	1
333	E-R-0405-5990	2253310296	RES,CHIP 1/8	RC 0805 1/8 W 1Kohm J T	R340	1
334	E-R-0405-6001	2253347296	RES,CHIP 1/8	RC 0805 1/8 W 4.7Kohm J T	R341	1
335		2253310196	RES,CHIP 1/8	RC 0805 1/8 W 100ohm J T	R342	1
336		2253310196	RES,CHIP 1/8	RC 0805 1/8 W 100ohm J T	R344	1
337	E-R-0405-6001	2253347296	RES,CHIP 1/8	RC 0805 1/8 W 4.7Kohm J T	R345	1
338	E-R-0405-6001	2253347296	RES,CHIP 1/8	RC 0805 1/8 W 4.7Kohm J T	R347	1
339	E-R-0405-6001	2253347296	RES,CHIP 1/8	RC 0805 1/8 W 4.7Kohm J T	R348	1
340	E-R-0405-6001	2253347296	RES,CHIP 1/8	RC 0805 1/8 W 4.7Kohm J T	R350	1
341	E-R-0405-5998	2253327296	RES,CHIP 1/8	RC 0805 1/8 W 2.7Kohm J T	R351	1
342		2253310196	RES,CHIP 1/8	RC 0805 1/8 W 100ohm J T	R353	1
343	E-R-0405-6001	2253347296	RES,CHIP 1/8	RC 0805 1/8 W 4.7Kohm J T	R354	1
344	E-R-0405-5991	2253310396	RES,CHIP 1/8	RC 0805 1/8 W 10Kohm J T	R355	1
345	E-R-0405-6001	2253347296	RES,CHIP 1/8	RC 0805 1/8 W 4.7Kohm J T	R356	1
346	E-R-0405-5990	2253310296	RES,CHIP 1/8	RC 0805 1/8 W 1Kohm J T	R357	1
347	E-R-0405-5992	2253310496	RES,CHIP 1/8	RC 0805 1/8 W 100Kohm J T	R358	1
348		2253333396	RES,CHIP 1/8	RC 0805 1/8 W 33Kohm J T	R360	1
349	E-R-0405-6001	2253347296	RES,CHIP 1/8	RC 0805 1/8 W 4.7Kohm J T	R361	1
350	E-R-0405-6001	2253347296	RES,CHIP 1/8	RC 0805 1/8 W 4.7Kohm J T	R362	1
351	E-R-0405-6001	2253347296	RES,CHIP 1/8	RC 0805 1/8 W 4.7Kohm J T	R363	1
352	E-R-0405-5988	2253300096	RES,CHIP 1/8	RC 0805 1/8 W 0ohm J T	R364	1
353		2253456496	RES,CHIP 1/4	RC 1206 1/4 W 560Kohm J T	R801	1
354		2253410096	RES,CHIP 1/4	RC 1206 1/4 W 10ohm J T	R807	1
355		2251420026	RES,CHIP 1/4	RC 1206 1/4 W 20Kohm F T	R808	1
356		2253447996	RES,CHIP 1/4	RC 1206 1/4 W 4.7ohm J T	R809	1
357		2253447996	RES,CHIP 1/4	RC 1206 1/4 W 4.7ohm J T	R810	1
358		2251447016	RES,CHIP 1/4	RC 1206 1/4 W 4.7Kohm F T	R811	1
359		2251424016	RES,CHIP 1/4	RC 1206 1/4 W 2.4Kohm F T	R812	1
360		2253410196	RES,CHIP 1/4	RC 1206 1/4 W 100ohm J T	R813	1
361		2253447196	RES,CHIP 1/4	RC 1206 1/4 W 470ohm J T	R814	1
362		2253412396	RES,CHIP 1/4	RC 1206 1/4 W 12Kohm J T	R815	1
363		2253410996	RES,CHIP 1/4	RC 1206 1/4 W 1ohm J T	R816	1
364		2253456496	RES,CHIP 1/4	RC 1206 1/4 W 560Kohm J T	R819	1
365		2251400096	RES,CHIP 1/4	RC 1/4W 0.00 F	R821	1
366		2253336396	RES,CHIP 1/8	RC 0805 1/8 W 36Kohm J T	R823	1
367	E-R-0405-5988	2253300096	RES,CHIP 1/8	RC 0805 1/8 W 0ohm J T	R824	1
368		2253436196	RES,CHIP 1/4	RC 1206 1/4 W 360ohm J T	R825	1
369	E-R-0405-5991	2253310396	RES,CHIP 1/8	RC 0805 1/8 W 10Kohm J T	R826	1
370	E-R-0405-5999	2253333296	RES,CHIP 1/8	RC 0805 1/8 W 3.3Kohm J T	R827	1
371		2253410096	RES,CHIP 1/4	RC 1206 1/4 W 10ohm J T	R828	1
372		2251333016	RES,CHIP 1/8	RC 0805 1/8 W 3.3Kohm F T	R829	1

Item	ViewSonic P/N	Ref. P/N	Description	Location	Q'ty	
373		2251320026	RES,CHIP 1/8	RC 0805 1/8 W 20Kohm F T	R830	1
374		2253311196	RES,CHIP 1/8	RC 0805 1/8 W 110ohm J T	R831	1
375	E-R-0405-5993	2253312396	RES,CHIP 1/8	RC 0805 1/8 W 12Kohm J T	R832	1
376		2253356296	RES,CHIP 1/8	RC 0805 1/8 W 5.6Kohm J T	R833	1
377		2251311516	RES,CHIP 1/8	RC 0805 1/8 W 1.15Kohm F T	R834	1
378		2251314716	RES,CHIP 1/8	RC 0805 1/8 W 1.47Kohm F T	R835	1
379		2251333016	RES,CHIP 1/8	RC 0805 1/8 W 3.3Kohm F T	R836	1
380		2251321026	RES,CHIP 1/8	RC 0805 1/8 W 21Kohm F T	R837	1
381		2253433296	RES,CHIP 1/4	RC 1206 1/4 W 3.3Kohm J T	R838	1
382		2251310026	RES,CHIP 1/8	RC 0805 1/8 W 10Kohm F T	R839	1
383		2251343216	RES,CHIP 1/8	RC 0805 1/8 W 4.32Kohm F T	R841	1
384	E-R-0405-5990	2253310296	RES,CHIP 1/8	RC 0805 1/8 W 1Kohm J T	R842	1
385		2253436196	RES,CHIP 1/4	RC 1206 1/4 W 360ohm J T	R844	1
386	E-R-0405-5992	2253310496	RES,CHIP 1/8	RC 0805 1/8 W 100Kohm J T	R845	1
387	E-R-0405-5991	2253310396	RES,CHIP 1/8	RC 0805 1/8 W 10Kohm J T	R847	1
388		2253447396	RES,CHIP 1/4	RC 1206 1/4 W 47Kohm J T	R850	1
389		2253447296	RES,CHIP 1/4	RC 1206 1/4 W 4.7Kohm J T	R851	1
390		2253447296	RES,CHIP 1/4	RC 1206 1/4 W 4.7Kohm J T	R852	1
391		2253468396	RES,CHIP 1/4	RC 1206 1/4 W 68Kohm J T	R853	1
392		2253427296	RES,CHIP 1/4	RC 1/4W 2.70K J T3216	R854	1
393		2251439026	RES,CHIP 1/4	RC 1206 1/4 W 39Kohm F T	R855	1
394		2251437436	RES,CHIP 1/4	RC 1206 1/4 W 374Kohm F T	R856	1
395		2251410026	RES,CHIP 1/4	RC 1206 1/4 W 10Kohm F T	R857	1
396		2251433026	RES,CHIP 1/4	RC 1206 1/4 W 33Kohm F T	R858	1
397	E-R-0405-5988	2253300096	RES,CHIP 1/8	RC 0805 1/8 W 0ohm J T	R860	1
398	E-R-0405-5991	2253310396	RES,CHIP 1/8	RC 0805 1/8 W 10Kohm J T	R864	1
399	E-R-0405-5989	2253310096	RES,CHIP 1/8	RC 0805 1/8 W 10ohm J T	R865	1
400		2251318036	RES,CHIP 1/8	RC 0805 1/8 W 180Kohm F T	R866	1
401	E-R-0405-5991	2253310396	RES,CHIP 1/8	RC 0805 1/8 W 10Kohm J T	R868	1
402	E-R-0405-5991	2253310396	RES,CHIP 1/8	RC 0805 1/8 W 10Kohm J T	R869	1
403		2251343036	RES,CHIP 1/8	RC 1/8W 430.00K F	R870	1
404		2251322036	RES,CHIP 1/8	RC 0805 1/8 W 220Kohm F T	R871	1
405	E-R-0405-5991	2253310396	RES,CHIP 1/8	RC 0805 1/8 W 10Kohm J T	R872	1
406		2253322096	RES,CHIP 1/8	RC 0805 1/8 W 22ohm J T	R873	1
407		2253322096	RES,CHIP 1/8	RC 0805 1/8 W 22ohm J T	R874	1
408		2253322096	RES,CHIP 1/8	RC 0805 1/8 W 22ohm J T	R875	1
409		2251362026	RES,CHIP 1/8	RC 1/8W 62.00K F	R876	1
410		2251310026	RES,CHIP 1/8	RC 0805 1/8 W 10Kohm F T	R877	1
411		2253322096	RES,CHIP 1/8	RC 0805 1/8 W 22ohm J T	R879	1
412	E-R-0405-5992	2253310496	RES,CHIP 1/8	RC 0805 1/8 W 100Kohm J T	R880	1
413		2253322096	RES,CHIP 1/8	RC 0805 1/8 W 22ohm J T	R881	1
414		2251382506	RES,CHIP 1/8	RC 0805 1/8 W 825ohm F T	R882	1
415		2251327026	RES,CHIP 1/8	RC 0805 1/8 W 27Kohm F T	R883	1
416		2251339036	RES,CHIP 1/8	RC 1/8W 390.00K F	R884	1
417		2253310596	RES,CHIP 1/8	RC 0805 1/8 W 1Mohm J T	R885	1
418	E-R-0405-5992	2253310496	RES,CHIP 1/8	RC 0805 1/8 W 100Kohm J T	R886	1
419		2251351126	RES,CHIP 1/8	RC 1/8W 51.10K F	R887	1
420	E-R-0405-5990	2253310296	RES,CHIP 1/8	RC 0805 1/8 W 1Kohm J T	R888	1
421		2251353616	RES,CHIP 1/8	RC 0805 1/8W 5.36Kohm F T	R889	1
422		2251363406	RES,CHIP 1/8	RC 0805 1/8 W 634ohm F T	R891	1
423		2251400096	RES,CHIP 1/4	RC 1/4W 0.00 F	R892	1
424		2202126200	PC BOARD	L355-17 P/B CEM1 210*192	U801	1
425		2333310691	CAP,ELE 105°C	EC 10u/ 16V 5*11 P=5.0 T	C303	1
426		2333310691	CAP,ELE 105°C	EC 10u/ 16V 5*11 P=5.0 T	C313	1
427		2333322691	CAP,ELE 105°C	EC 22u/ 16V 5*11 P=5.0 T	C315	1
428		2333322691	CAP,ELE 105°C	EC 22u/ 16V 5*11 P=5.0 T	C316	1
429	E-C-0404-2271	2333310791	CAP,ELE 105°C	EC 100u/ 16V 6.3*11 P=5.0 T	C360	1
430		2335310843	CAP,ELE LOW ESR 105°C	EC 1000u/ 16V 10*16 P=5.0 T	C813	1
431		2335310843	CAP,ELE LOW ESR 105°C	EC 1000u/ 16V 10*16 P=5.0 T	C815	1
432		2335310843	CAP,ELE LOW ESR 105°C	EC 1000u/ 16V 10*16 P=5.0 T	C816	1
433		2335310843	CAP,ELE LOW ESR 105°C	EC 1000u/ 16V 10*16 P=5.0 T	C817	1
434		2335310843	CAP,ELE LOW ESR 105°C	EC 1000u/ 16V 10*16 P=5.0 T	C818	1
435		2335310843	CAP,ELE LOW ESR 105°C	EC 1000u/ 16V 10*16 P=5.0 T	C819	1
436		2302010491	CAP,MTL	CF93M 0.100UF 50V J 1T	C820	1
437		2283122291	CAP,CER	CK45B 2200.000PF 500V K T	C822	1
438	E-C-0404-1424	2333610591	CAP,ELE 105°C	EC 1u/ 50V 5*11 P=5.0 T	C833	1
439	E-C-0404-4833	2281110491	CAP,CER	CC 0.1u/50V K T	C834	1
440		2335422723	CAP,ELE LOW ESR 105°C	EC 220u/ 25V 8*12 P=5.0 T	C835	1
441	E-C-0404-1838	2333610691	CAP,ELE 105°C	EC 10u/ 50V 5*11 P=5.0 T	C839	1
442	E-C-0404-1424	2333610591	CAP,ELE 105°C	EC 1u/ 50V 5*11 P=5.0 T	C840	1
443	E-C-0404-1424	2333610591	CAP,ELE 105°C	EC 1u/ 50V 5*11 P=5.0 T	C841	1
444	E-C-0404-1833	2333622691	CAP,ELE 105°C	EC 22u/ 50V 5*11 P=5.0 T	C842	1
445	E-C-0404-1836	2333410791	CAP,ELE 105°C	EC 100u/ 25V 6.3*11 P=5.0 T	C843	1
446	E-C-0404-4833	2281110491	CAP,CER	CC 0.1u/50V K T	C844	1
447	E-C-0404-1838	2333610691	CAP,ELE 105°C	EC 10u/ 50V 5*11 P=5.0 T	C845	1
448	E-C-0404-1838	2333610691	CAP,ELE 105°C	EC 10u/ 50V 5*11 P=5.0 T	C846	1



Item	ViewSonic P/N	Ref. P/N	Description	Location	Q'ty	
449	E-C-0404-1838	2333610691	CAP,ELE 105°C	EC 10u/ 50V 5*11 P=5.0 T	C847	1
450		2333647691	CAP,ELE 105°C	EC 47u/ 50V 8*11 P=5.0 T	C848	1
451	E-C-0404-1836	2333410791	CAP,ELE 105°C	EC 100u/ 25V 6.3*11 P=5.0 T	C850	1
452	E-C-0404-1838	2333610691	CAP,ELE 105°C	EC 10u/ 50V 5*11 P=5.0 T	C851	1
453		2335422723	CAP,ELE LOW ESR 105°C	EC 220u/ 25V 8*12 P=5.0 T	C858	1
454	M-MS-0808-1313	2407200791	HOLDER,FUSE	FC-05C	F806 RA	2
455		2407200991	HOLDER,FUSE	CQ-05T (5mm DIA FUSE)	F806 RB	2
456		2404380202	CONNECTOR	82225-0211 P=8.0mm ACE	P806	1
457		2404380202	CONNECTOR	82225-0211 P=8.0mm ACE	P807	1
458	E-Q-0402-0839	2361111191	XISTOR,NPN R	2SA1020(Y) TOSHIBA	Q311	1
459	E-Q-0402-0718	2361316191	XISTOR,NPN R	2PC945P PHILIPS	Q805 RA	1
460	E-Q-0402-0428	2361302591	XISTOR,NPN R	2SC945(P) TO-92 NEC	Q805 RB	1
461	E-Q-0402-0718	2361316191	XISTOR,NPN R	2PC945P PHILIPS	Q806 RA	1
462	E-Q-0402-0428	2361302591	XISTOR,NPN R	2SC945(P) TO-92 NEC	Q806 RB	1
463	E-C-0404-0801	2361301291	XISTOR,NPN R	2SC2120(Y) TOSHIBA	Q807	1
464	E-Q-0402-0718	2361316191	XISTOR,NPN R	2PC945P PHILIPS	Q810 RA	1
465	E-Q-0402-0428	2361302591	XISTOR,NPN R	2SC945(P) TO-92 NEC	Q810 RB	1
466	E-Q-0402-0839	2361111191	XISTOR,NPN R	2SA1020(Y) TOSHIBA	Q811	1
468		2363231995	DIODE,RECT	UF4007 PEC	D802 RA	1
469		2363223195	DIODE,RECT	UF4007 GS	D802 RB	1
470	E-D-0403-1574	2363501095	DIODE,ZENER	HZ6C-2 6.0-6.3V 0.5W HITACHI	D807 RA	1
471	E-D-0403-1785	2363516295	DIODE,ZENER	BZX79C6V2 5.8-6.6V PHILIPS	D807 RB	1
472		2363504595	DIODE,ZENER	HZ7-A3 6.6V-6.9V 0.5W HITACHI	D808	1
473		2363517695	DIODE,ZENER	HZ18-2 17.5-18.3V 0.5W HITACHI	D809	1
474	E-D-0403-0531	2363600195	DIODE,SWITCH	1N4148 DO-35 T	D810	1
475		2363223095	DIODE,RECT	UF4005 GS	D813	1
476		2363508215	DIODE,ZENER	1N4738A 8.2V 1W DO-41 HITACHI	D820 RA	1
477		2363508225	DIODE,ZENER	1N4738A 8.2V/1W DO-41 PHILIPS	D820 RB	1
478	E-D-0403-1105	2363217595	DIODE,RECT	20D8 IR	D829 RA	1
479	E-D-0403-1531	2363221195	DIODE,RECT	PG208 PEC	D829 RB	1
480	E-D-0403-1105	2363217595	DIODE,RECT	20D8 IR	D830 RA	1
481	E-D-0403-1531	2363221195	DIODE,RECT	PG208 PEC	D830 RB	1
482	E-D-0403-1105	2363217595	DIODE,RECT	20D8 IR	D831 RA	1
483	E-D-0403-1531	2363221195	DIODE,RECT	PG208 PEC	D831 RB	1
484	E-D-0403-1105	2363217595	DIODE,RECT	20D8 IR	D832 RA	1
485	E-D-0403-1531	2363221195	DIODE,RECT	PG208 PEC	D832 RB	1
486	E-FS-0410-0009	2213125207	FUSE	FUSE 2.5A/250V 21502.5 LITTEL	F801 RA	1
487	E-FS-0410-0102	2213125211	FUSE	FUSE 2.5A/250V SG501302.5 PICO	F801 RB	1
488		2213220295	FUSE MICRO	20N2000FS 2A/125V PICO	F802	1
489		2213225105	FUSE MICRO	20N 0250FS 0.25A PICO	F803	1
490	E-IC-0401-2152	2365321991	IC,LINEAR	KA431AZTA TO-92 FAIRCHILD	I803 RA	1
491		2365328191	IC,LINEAR	AP431VA TO-92 ATC	I803 RB	1
492	E-IC-0401-2152	2365321991	IC,LINEAR	KA431AZTA TO-92 FAIRCHILD	I805 RA	1
493		2365328191	IC,LINEAR	AP431VA TO-92 ATC	I805 RB	1
494	E-IC-0401-2152	2365321991	IC,LINEAR	KA431AZTA TO-92 FAIRCHILD	I806 RA	1
495		2365328191	IC,LINEAR	AP431VA TO-92 ATC	I806 RB	1
496	M-WR-0828-0478	2428106100	JUMPER	0.6φ10.00MM	J301	1
497	M-WR-0828-0478	2428106100	JUMPER	0.6φ10.00MM	J302	1
498	M-WR-0828-0460	2428106125	JUMPER	0.6φ12.50MM	J303	1
499	M-WR-0828-0460	2428106125	JUMPER	0.6φ12.50MM	J304	1
500	M-WR-0828-0450	2428106075	JUMPER	0.6φ7.50MM	J305	1
501	M-WR-0828-0478	2428106100	JUMPER	0.6φ10.00MM	J306	1
502	M-WR-0828-0451	2428106150	JUMPER	0.6φ15.00MM	J307	1
503	M-MS-0808-7939	2428106175	JUMPER	0.6φ17.50MM	J308	1
504	M-WR-0828-0450	2428106075	JUMPER	0.6φ7.50MM	J309	1
505	M-WR-0828-0450	2428106075	JUMPER	0.6φ7.50MM	J310	1
506	M-WR-0828-0450	2428106075	JUMPER	0.6φ7.50MM	J311	1
507	M-WR-0828-0450	2428106075	JUMPER	0.6φ7.50MM	J312	1
508	M-WR-0828-0450	2428106075	JUMPER	0.6φ7.50MM	J313	1
509	M-WR-0828-0460	2428106125	JUMPER	0.6φ12.50MM	J314	1
510	M-WR-0828-0460	2428106125	JUMPER	0.6φ12.50MM	J315	1
511	M-WR-0828-0460	2428106125	JUMPER	0.6φ12.50MM	J316	1
512	M-WR-0828-0450	2428106075	JUMPER	0.6φ7.50MM	J317	1
513	M-WR-0828-0450	2428106075	JUMPER	0.6φ7.50MM	J318	1
514	M-WR-0828-0450	2428106075	JUMPER	0.6φ7.50MM	J319	1
515	M-WR-0828-0450	2428106075	JUMPER	0.6φ7.50MM	J320	1
516	M-WR-0828-0450	2428106075	JUMPER	0.6φ7.50MM	J321	1
517	M-WR-0828-0450	2428106075	JUMPER	0.6φ7.50MM	J322	1
518	M-WR-0828-0478	2428106100	JUMPER	0.6φ10.00MM	J323	1
519	M-WR-0828-0450	2428106075	JUMPER	0.6φ7.50MM	J324	1
520	M-WR-0828-0460	2428106125	JUMPER	0.6φ12.50MM	J801	1
521	M-WR-0828-0478	2428106100	JUMPER	0.6φ10.00MM	J802	1
522	M-WR-0828-0478	2428106100	JUMPER	0.6φ10.00MM	J803	1
523	M-WR-0828-0478	2428106100	JUMPER	0.6φ10.00MM	J804	1
524	M-WR-0828-0478	2428106100	JUMPER	0.6φ10.00MM	J805	1
525	M-WR-0828-0450	2428106075	JUMPER	0.6φ7.50MM	J806	1

Item	ViewSonic P/N	Ref. P/N	Description	Location	Q'ty	
526	M-WR-0828-0450	2428106075	JUMPER	0.6φ7.50MM	J807	1
527	M-WR-0828-0450	2428106075	JUMPER	0.6φ7.50MM	J808	1
528	M-WR-0828-0450	2428106075	JUMPER	0.6φ7.50MM	J809	1
529	M-WR-0828-0450	2428106075	JUMPER	0.6φ7.50MM	J810	1
530	M-WR-0828-0450	2428106075	JUMPER	0.6φ7.50MM	J811	1
531	M-WR-0828-0450	2428106075	JUMPER	0.6φ7.50MM	J812	1
532	M-WR-0828-0450	2428106075	JUMPER	0.6φ7.50MM	J813	1
533	M-WR-0828-0450	2428106075	JUMPER	0.6φ7.50MM	J814	1
534	M-WR-0828-0450	2428106075	JUMPER	0.6φ7.50MM	J815	1
535	M-WR-0828-0450	2428106075	JUMPER	0.6φ7.50MM	J816	1
536	M-WR-0828-0460	2428106125	JUMPER	0.6φ12.50MM	J817	1
537	M-WR-0828-0450	2428106075	JUMPER	0.6φ7.50MM	J818	1
538	M-WR-0828-0450	2428106075	JUMPER	0.6φ7.50MM	J819	1
539	M-WR-0828-0478	2428106100	JUMPER	0.6φ10.00MM	J820	1
540	M-WR-0828-0450	2428106075	JUMPER	0.6φ7.50MM	J821	1
541	M-WR-0828-0478	2428106100	JUMPER	0.6φ10.00MM	J822	1
542	M-WR-0828-0460	2428106125	JUMPER	0.6φ12.50MM	J823	1
543	M-WR-0828-0450	2428106075	JUMPER	0.6φ7.50MM	J824	1
544	M-WR-0828-0478	2428106100	JUMPER	0.6φ10.00MM	J825	1
545	M-MS-0808-0856	2428106200	JUMPER	0.6φ20.00MM	J826	1
546	M-WR-0828-0478	2428106100	JUMPER	0.6φ10.00MM	J827	1
547	M-WR-0828-0450	2428106075	JUMPER	0.6φ7.50MM	J828	1
548	M-WR-0828-0478	2428106100	JUMPER	0.6φ10.00MM	J829	1
549	M-WR-0828-0450	2428106075	JUMPER	0.6φ7.50MM	J830	1
550	M-WR-0828-0450	2428106075	JUMPER	0.6φ7.50MM	J831	1
551	M-WR-0828-0450	2428106075	JUMPER	0.6φ7.50MM	J832	1
552	M-WR-0828-0450	2428106075	JUMPER	0.6φ7.50MM	J833	1
553	M-MS-0808-7939	2428106175	JUMPER	0.6φ17.50MM	J834	1
554	M-WR-0828-0450	2428106075	JUMPER	0.6φ7.50MM	J835	1
555	M-WR-0828-0450	2428106075	JUMPER	0.6φ7.50MM	J836	1
556	M-WR-0828-0450	2428106075	JUMPER	0.6φ7.50MM	J837	1
557	M-WR-0828-0450	2428106075	JUMPER	0.6φ7.50MM	J838	1
558	M-WR-0828-0450	2428106075	JUMPER	0.6φ7.50MM	J840	1
559	M-WR-0828-0450	2428106075	JUMPER	0.6φ7.50MM	J841	1
560	M-WR-0828-0450	2428106075	JUMPER	0.6φ7.50MM	J842	1
561	M-MS-0808-7939	2428106175	JUMPER	0.6φ17.50MM	J843	1
562	M-WR-0828-0450	2428106075	JUMPER	0.6φ7.50MM	J844	1
563	M-WR-0828-0478	2428106100	JUMPER	0.6φ10.00MM	J845	1
564	M-WR-0828-0450	2428106075	JUMPER	0.6φ7.50MM	J847	1
565	M-WR-0828-0478	2428106100	JUMPER	0.6φ10.00MM	J850	1
566	M-WR-0828-0450	2428106075	JUMPER	0.6φ7.50MM	J851	1
567	E-L-0407-0013	2379101495	FERRITE CORE	3.5X9X0.8	L301	1
568	M-WR-0828-0478	2428106100	JUMPER	0.6φ10.00MM	L802	1
569	M-WR-0828-0455	2428106050	JUMPER	0.6φ5.00MM	L807	1
570		2232410495	RES,CBN 1/4	RD 1/4W 100.00K J T52	R804	1
571		2232410495	RES,CBN 1/4	RD 1/4W 100.00K J T52	R805	1
572		2232612295	RES,CBN 1/2	RD 1/2W 1.2Kohm J T	R822	1
573		2242330595	HIGH VOLTAGE RESISTOR	RD 1/2W 3.00M J	R867	1
574	E-C-0404-4834	2300922401	CAP,MTL MINI	0.220UF 275V M	C801	1
575		2287233212	CAP,CER	CK45F 3300.000PF 250VA M KC	C802	1
576		2287233212	CAP,CER	CK45F 3300.000PF 250VA M KC	C803	1
577		2300910401	CAP,MTL MINI	X2 0.1u/275V P=10.0 M C	C804	1
578	E-C-0404-3094	2284122191	CAP,CER	CK45B 220.000PF 125°C K T	C805	1
579		2284110291	CAP,CER	CK45B 1000.000PF 125°C K T	C806	1
580		2334382608	CAP,ELE 105°C	EC 82u/400V 18*32 P=7.5 S	C812	1
581	E-C-0404-1855	2287247201	CAP,CER	CK45F 4700.000PF 250VAC M CA	C823	1
582	E-C-0404-4834	2300922401	CAP,MTL MINI	0.220UF 275V M	C824	1
583	E-C-0404-1836	2333410791	CAP,ELE 105°C	EC 100u/25V 6.3*11 P=5.0 T	C832	1
584		2275439001	CAP,CER	TC 39p/3KV SL P=7.5 J C	C860	1
585		2275450901	CAP,CER	TC 5P/3KV SL P=7.5 J C	C862	1
586		2275439001	CAP,CER	TC 39p/3KV SL P=7.5 J C	C876	1
587		2363300282	DIODE,SCHOTTKY	31DQ06FC3 H=9.8 INTER	D804	1
588	E-D-0403-1501	2363231612	DIODE,RECT	31DF2 IR(NI)	D805	1
589	E-D-0403-1501	2363231612	DIODE,RECT	31DF2 IR(NI)	D806	1
590		2365424700	IC,DIGITAL	NT68F633U S-DIP 42P NOVATEK	I301	1
591	E-IC-0401-2015	2365316200	IC,LINEAR	24LC16B DIP-8 MICROCHI	I302 RA	1
592	E-IC-0401-2748	2365424000	IC,DIGITAL	AM24LC16(PDIP-8L) ATC	I302 RB	1
593	E-IC-0401-2747	2365424300	IC,DIGITAL	M24C16-WBN6T ST PDIP8	I302 RC	1
594		2365327800	IC,LINEAR	TEA1533AP SOT97-1 PHILIPS	I801	1
595	E-PC-0411-0083	2362401800	PHOTO COUPLR	TLP621(D4-GR-LF2) TOSHIBA	I802	1
596		2371106400	COIL,CHOKE	LS-SH01C-016 33uH+-10% LI SHIN	L801	1
597		2371150901	COIL,CHOKE	5uH 0.5mm*19Ts R3*15 I=2.0A	L804	1
598		2371118301	COIL,CHOKE	18mH 0.32mm*90TS UU-10.5	L805	1
599		2427422131	WIRE HARNESS	22/10+11P 1007#26 60/130 P=2.0	P301	1
600		2404371007	CONNECTOR	JST PH 8P TOP P=2.0 OR EQUAL	P303	1
601		2404339301	CONNECTOR	LEOCO 3951-01(V) 2PIN P=3.96	P801	1

Item	ViewSonic P/N	Ref. P/N	Description	Location	Q'ty	
602	E-TH-0416-0042	2229201212	THERMISTOR,PTH	SCK-103 10+-20% 3A THINKING	R840	1
603		2226510200	RES,SEMI FIX	0.3W B 1K K	R843	1
604		2241227803	RES,WIR 2	RW 2W 0.27 ohm J P=20	R859	1
605		2374228001	XFORMER,POWR	JT166K17 650uH ER-28	T801	1
606		2374300200	XFORMER INVERTER	EEL-19 20/2600Ts 0.45/0.05mm	T802	1
607	E-X-0415-0119	2369103601	XTAL,OSC	12.000MHZ/49US	X301	1
608		2056603050	SERIAL LABEL	VIEWSONIC LCD SERIAL LABEL	6P55	1
609		2365329800	IC,LINEAR	PHX7N060E SOT186A PHILIPS	Q808 RA	1
610		2361609900	FET,N-CH	SSS7N60B TO-220 FAIRCHILD	Q808 RB	1
611		2072259201	HEAT SINK	JT166H 39.6WX12.2DX20H	9H01	1
612		2063252000	SPACER SUPPORT	NYLON 66 94V2 15.87*06.6*42.5	9R10	2
613	M-SCW-0824-0285	2084730082	SCREW,BND T+	M3X8(BND T+)	9S01	1
614		2083730102	SCREW,BND T+	SCREW BND T+	9S10	2
615		2024262104	FRONT BEZEL	VA520(2)ABS+PC SILVER	1F01	1
616	M-MS-0808-8180	2053751901	LED INDIC.-PWR	VE150-2/PMMA 94HB	1F02	1
617	PL-FK-0709-0128	2044260902	FUNCTION KEY	VA520-2/ABS 94V0 SILVER	1F03	1
618	M-SCW-0824-0285	2084730082	SCREW,BND T+	M3X8(BND T+)	1F04	2
619		2056603050	SERIAL LABEL	VIEWSONIC LCD SERIAL LABEL	6P54	1
620		2434325603	SHIELDING TAPE	W25*L60*T0.06 (AL)	K901	1
621		2434325603	SHIELDING TAPE	W25*L60*T0.06 (AL)	K902	1
622		2434640004	CONDUCTIVE TAPE	W40*L50mm LQ-220 <0.04 ohm	K903	1
623		2434640004	CONDUCTIVE TAPE	W40*L50mm LQ-220 <0.04 ohm	K904	1
624		2433303040	SHIELDING FOAM	10W*4H*40L (773GT) SR<0.06	K905	1
625		2433303040	SHIELDING FOAM	10W*4H*40L (773GT) SR<0.06	K906	1
626		2434420801	AL SHIELDING TAPE	W40*L80mm (AL)	K907	1
627		2420303002	FFC CABLE	FFC 30L*50P*0.5mm	P980	1
628		2420303002	FFC CABLE	FFC 30L*50P*0.5mm	P981	1
629		2212002400	LCD PANEL	CLAA150XG-02 CPT	V901	1
630		2080002200	SCREW,SPE	L355 M3x6 DH NICKEL-PLATED	1F09	8
631		2071967600	METAL FITTG	VE155/CPT MRT17 SECC T=0.8	1F10	1
632		2072456300	INSULATOR	VE155-17 212*190*30MM 0.4T	1F17	1
633		2105251200	SPRING PLATE	EMI SPRING PB-CU 0.2MM	1F18	1
634		2071960203	METAL FITTG	VE155(17)/SECC T=0.8mm	1F21	1
635		2081430082	SCREW,(WASH)	M3X8 P=0.5(TOOTH,WASHER)	1F22	2
636		2080002300	SCREW,SPE	L355 M3*8 DH NICKEL-PLATED	1F23	2
637	M-SCW-0824-0493	2085740082	SCREW,B OTW+	SCREW B OTW+ M4X8	1F24	1
638	PL-HD-0705-0116	2074191000	HOLDER	JK1461 JEAN	1F28	1
639		2063451102	ADHESI SHEET	27.2x42.4 PVC COLOR:BLACK	1F31	1
640		2407000100	SOCKET_ASSY	AC INLET ASS'Y 1015#18 L=130	P802	1
641	A-VIO-0118-0030	2427501151	I/O CABLE	D15/C13 20276(3+6) 1.83M BLK	P961	1
642	M-MS-0808-4026	2051350200	NAME PLATE	JD144V3 VIEWSONIC 3BIRDS AL	1F05	1
643	M-SCW-0824-0285	2084730082	SCREW,BND T+	M3X8(BND T+)	1F11	8
644	M-SCW-0824-0285	2084730082	SCREW,BND T+	M3X8(BND T+)	1F20	1
645	M-SCW-0824-0261	2084730142	SCREW,BND T+	M3X14(BND T+)	1F25	1
646		2074162000	HOLDER	GINLIAN 3M152-001	1F26	2
647	M-SCW-0824-0123	2084740102	SCREW,BND T+	M4X10(BND T+)	1F29	2
648	M-SCW-0824-0437	2082730062	SCREW,BND+	M3X6(BND+)	1F30	2
649		2080002500	SCREW,SPE	VE155/PDS-3 φ5.2X3X8	1F40	1
650	M-SCW-0824-0493	2085740082	SCREW,B OTW+	SCREW B OTW+ M4X8	2C21	4
651	C-BC-0302-0388	2022258804	CABI BACK	PC+ABS 94V0 BLACK 4001+SILVER	2C01	1
652		2084740104	SCREW,BND T+	M4X10(BND T+) (BLK)	2C02	3
653	M-MS-0808-6316	2071958300	METAL FITTG	VE170 KENSINGTON	2C10	1
654	M-CV-0830-2466	2027255103	DUST COVER	VA520-2/ASB 94HB BLACK 4001	2C24	1
655		2055636007	LABEL	VA520 VLCDS23585-2W	6P05	1
656		2055131718	LABEL	VA520-2 VLCDS23585-2W VER-17	6P50	1
657		2106652901	HINGE	VE155 0'~90'	2C20 RA	1
658		2106652902	HINGE	VE155/0'~90'	2C20 RB	1
659	PL-PS-0715-0188	2028254603	STAND	VA520-2/ABS 94HB BLACK 4001	5B01	1
660	PL-PD-0714-0069	2039802303	FOOT PAD	VA520 CR420xφ16.5x5.8 BLACK	5B02	4
661		2084740082	SCREW,BND T+	M4X8(BND T+)	5B03	4
662	M-CV-0830-2465	2027255003	DUST COVER	VA520(2)/ABS 94HB BLACK 4001	5B04	1
663		2071960702	METAL FITTG	VE155 STAND SECC t=2mm	5B06	1
664	M-SCW-0824-0285	2084730082	SCREW,BND T+	M3X8(BND T+)	5B07	1
665		2087340126	SCREW,B SPW+	4X12(+)/SWRM-3 ZMC2-C	5B08	4
666		2080002400	SCREW,SPE	VE155/3x8 STAND	5B09	1
667	M-LB-0813-0769	2055613293	LABEL	VIEWSONIC OPEN STAND LABEL-LCD	5B10	1
668		2084740082	SCREW,BND T+	M4X8(BND T+)	5B11	1
669		2084730084	SCREW,BND T+	M3X8(BND T+) (BLK)	2C25	1
670	A-PC-0106-0121	2427130046	POWER CORD	USA WALL 1.8M BLACK	P951	1
671	A-PC-0106-0138	2427130047	POWER CORD	E WALL 1.8M BLACK	P952	1
672		2438501120	CD-OWNER GUIDE	VA520-2 VER-17 WIZARD	6P80	1
673		2002310348	GUARANT CARD	VIEWSONIC-2 QSG VER-17	6P84	1
674		2013222536	POLYETHY BAG	250mmx350mmxt0.3 ADD>PE-LD<	6P85	1
675		2011168012	CARTON BOX	VA520-2 VLCDS23585-2W VER-17	6P01	1
676		2055632017	LABEL	VA520 VLCDS23585-2W	6P02	1
677		2055613281	LABEL	VIEWSONIC VA520 NUMBER STICKER	6P03	1

Item	ViewSonic P/N	Ref. P/N	Description		Location	Q'ty
678	P-BX-0601-0862	2011168009	CARTON BOX	VE155/VA520 PALLET BOX	6P10	1
679		2055613379	LABEL	ViewSonic CONTAINER LABEL	6P11	1/42
680	P-FM-0602-0722	2012163600	POLYFOAM	VE150-2 POLYFOAM(L) EPS	6P20	1
681	P-FM-0602-0723	2012163700	POLYFOAM	VE150-2 POLYFOAM(R) EPS	6P21	1
682		2056603050	SERIAL LABEL	VIEWSONIC LCD SERIAL LABEL	6P51	1
683	M-LB-0813-0528	2055103400	LABEL	JK0936F WEN	6P52	1
684		2013150901	POLYETHY BAG	700LX600WX0.03tmm PE-LD ADD>PE	6P60	1
685	M-CV-0830-0192	2027250101	DUST COVER	PE	6P90	1

### VSCN-G (China)

Item	ViewSonic P/N	Ref. P/N	Description		Location	Q'ty
1	A-PC-0106-0277	2427130097	POWER CORD	CHINA WALL 1.83M BLACK	P951	1
2		2055613324	LABEL	VIEWSONIC LCD-15 3C STICKER	6P06	1
3		2002310338	GUARANT CARD	VIEWSONIC CHINA WARRANTY CARD	6P07	1
4		2056606025	SERIAL LABEL	VS ON WARRANTY CARD SN STICKER	6P08	2
5		2056606010	SERIAL LABEL	VIEWSONIC BOX STICKER-G	6P12	1
6		2056606009	SERIAL LABEL	VIEWSONIC SERVICE STICKER-G	6P15	1
7		2013051800	POLYETHY BAG	JT166A14 500LX470WX490H t=0.08	6P70	1
8		2001950139	ATTACH SHEET	VIEWSONIC LCD PROMOTION INSERT	6P83	1

### VSCN-M (USA)

Item	ViewSonic P/N	Ref. P/N	Description		Location	Q'ty
1		2001950139	ATTACH SHEET	VIEWSONIC LCD PROMOTION INSERT	6P83	1

## *\*Reader's Response\**

Dear Readers:

Thank you in advance for your feedback on our Service Manual, which allows continuous improvement of our products. We would appreciate your completion of the Assessment Matrix below, for return to ViewSonic Corporation.

### Assessment

A. What do you think about the content after reading VE155s, VE500-2, VE155/b, VA520-2 Service Manual?

<i>Unit</i>	<i>Excellent</i>	<i>Good</i>	<i>Fair</i>	<i>Bad</i>
<b>1. Precautions and Notices</b>				
<b>2. Specification</b>				
<b>3. Control Location and Functions</b>				
<b>4. Disassembly Instructions</b>				
<b>5. General Connections &amp; Applications</b>				
<b>6. Electronic Circuit Description</b>				
<b>7. Adjustment</b>				
<b>8. Troubleshooting Flow Chart</b>				
<b>9. Block Diagram</b>				
<b>10. PCB Layout</b>				

B. Are you satisfied with the VE155s, VE500-2, VE155/b, VA520-2 service manual?

<i>Item</i>	<i>Excellent</i>	<i>Good</i>	<i>Fair</i>	<i>Bad</i>
1. Service Manual Content				
2. Service Manual Layout				
3. The form and listing				

C. Do you have any other opinion or suggestion about this service manual?

---

### Reader's basic data:

Name:		Title:	
Company:			
Add:			
Tel:		Fax:	
E-mail:			

After completing this form, please return it to ViewSonic Quality Assurance in the USA at facsimile 1-909-839-7943. You may also e-mail any suggestions to the Director, Quality System & Processes. (marc.maupin@viewsonic.com)